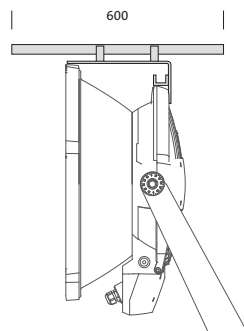


**Order No.:** 5NA75600XJ | **GTIN (EAN):** 4039806848338

**Product description:** R3mxP,sightdev

SiCOMPACT® R3 MAXI P, sighting device, installation type: direct mounting, sighting device, of aluminium, coated, matt jet black (RAL 9005), packaging unit: 1 piece

Wt. (kg): 0.8  
GTIN (EAN): 4039806848338



---

**Order No.:** 5NA75600XJ | **GTIN (EAN):** 4039806848338

**Detailed technical description:** R3mxP,sightdev

**Key data**

- Product type: sighting device
- Product name: SiCOMPACT® R3 MAXI P
- Order No.: 5NA75600XJ

**Material, Colour**

- sighting device: aluminium, coated, matt jet black (RAL 9005)
- Colour specification: matt jet black (RAL 9005)

**Mounting**

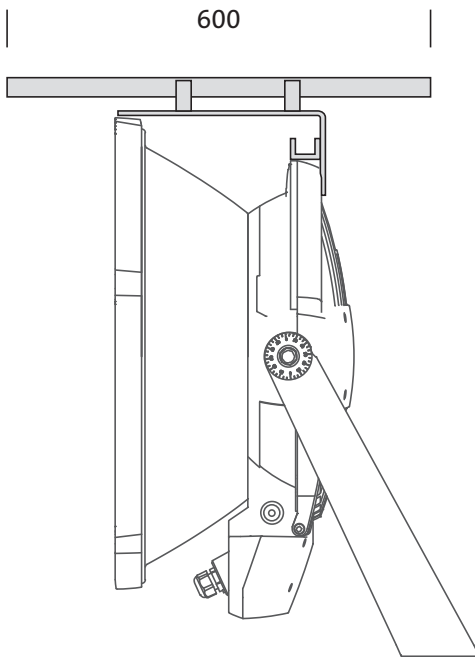
- Mounting method, mounting location: direct mounting, to the luminaire

**Dimensions, Weight**

- Weight: 0.8kg

Order No.: 5NA75600XJ | GTIN (EAN): 4039806848338

Dimensions: R3mxP,sightdev



It is mandatory that the assembly instructions must be observed when planning and installing the electrical installation (to be found at [www.siteco.com](http://www.siteco.com))

Tolerances related to thermal, electrical and photometric data according to IEC 62722

Issued 24.02.2023 - Modifications and errors subject to change - Ensure that you always use the latest version -