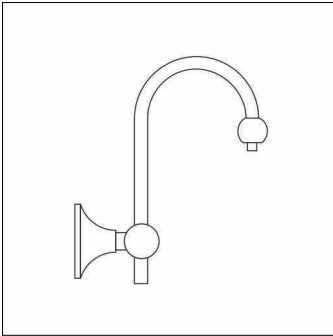


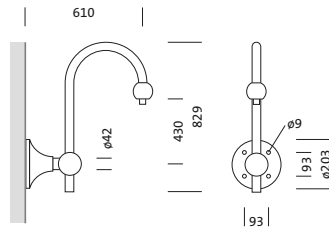
Order No.: 5NY15701XW08 | GTIN (EAN): 4039806214898

Product description: SmBell,wall-br,1arm,coat,DB702S



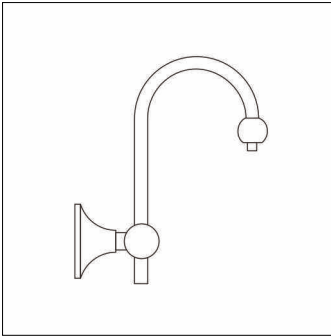
Small Bell, wall bracket, wall bracket, of steel, galvanised, coated, Siteco® metallic grey (DB 702S), 1-arm, with bayonet catch, height: 829mm, packaging unit: 1 piece

Wt. (kg): 6.3
GTIN (EAN): 4039806214898



Order No.: 5NY15701XW08 | GTIN (EAN): 4039806214898

Detailed technical description: SmBell,wall-br,1arm,coat,DB702S



Key data

- Product type: wall bracket
- Product name: Small Bell
- Order No.: 5NY15701XW08

Material, Colour

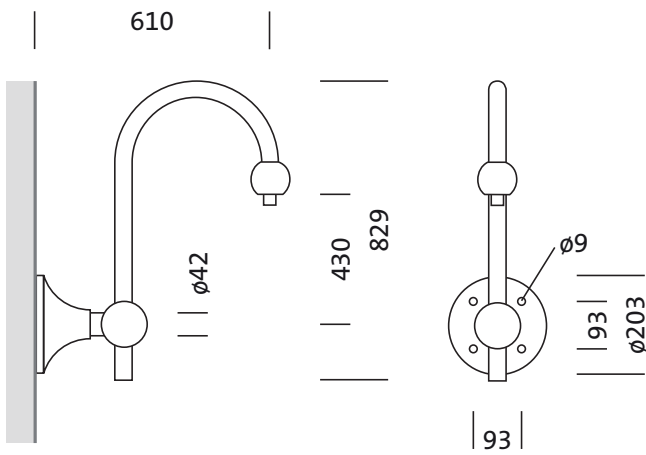
- wall bracket: steel, galvanised, coated, Siteco® metallic grey (DB 702S), with bayonet catch
- Colour specification: Siteco® metallic grey (DB 702S)

Dimensions, Weight

- Height: 829mm
- Weight: 6.3kg

Order No.: 5NY15701XW08 | GTIN (EAN): 4039806214898

Dimensions: SmBell,wall-br,1arm,coat,DB702S



It is mandatory that the assembly instructions must be observed when planning and installing the electrical installation (to be found at www.siteco.com)

Tolerances related to thermal, electrical and photometric data according to IEC 62722

Issued 07.07.2023 - Modifications and errors subject to change - Ensure that you always use the latest version -