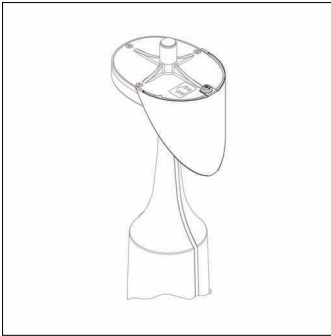


**Order No.:** 5XA54000XBS | **GTIN (EAN):** 4050737971445

**Product description:** Mod540,shield.build.sd,1pc

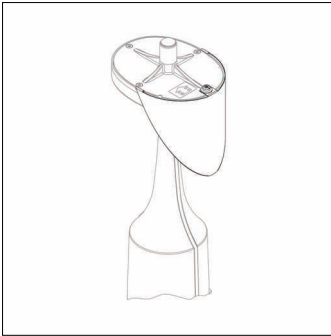


lighting technology components group, for Module 540, shielding on building side, height: 150mm

Wt. (kg): 0.1  
GTIN (EAN): 4050737971445

Order No.: 5XA54000XBS | GTIN (EAN): 4050737971445

Detailed technical description: Mod540,shield.build.sd,1pc



#### Key data

- Product type: lighting technology components group
- Product name: Module 540
- Order No.: 5XA54000XBS

#### Lighting technology | Lamps | Control gear

##### Component 1

#### Lighting technology:

- Glare reduction: shielding on building side

#### Mounting

- Mounting method, mounting location: slip-in mounting, in the luminaire

#### Electrical connection

- Nominal voltage: 230..240V

#### Dimensions, Weight

- Height: 150mm
- Weight: 0.1kg