

**Order No.:** 51WC10MA42A | **GTIN (EAN):** 4058352616949

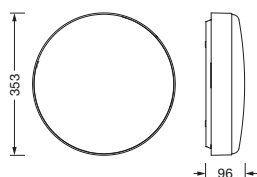
**Product description:** ROU31,2550lm840,ML,Ø350



Round 31, wall and ceiling luminaire, primary optical cover: cover, of PC, opal, light emission: direct distribution, primary light characteristic: symmetric, installation type: surface-mounted, LED, rated luminous flux: 2.550lm, luminous efficacy: 134lm/W, light colour: 840, colour temperature: 4000K, control gear: ON/OFF Multilumen, with terminal, 3-pole, max. 2.5mm<sup>2</sup>, mains connection: 220..240V, AC, 50/60Hz, rated input power: 19W, luminaire housing, of PC, traffic white (RAL 9016), diameter: 350mm, protection rating (complete): IP65, insulation class (complete): insulation class II (safety insulation), certification: CE, impact resistance: IK10, permissible operating ambient temperature: -20..+40°C, permissible storage temperature: -20..+60°C, packaging unit: 1 piece

IP 65 IK 10  

Lamps:	LED
Wt. (kg):	1.7
GTIN (EAN):	4058352616949



**Order No.:** 51WC10MA42A | **GTIN (EAN):** 4058352616949

**Detailed technical description:** ROU31,2550lm840,ML,Ø350



#### Key data

- Product type: wall and ceiling luminaire
- Product name: Round 31
- Order No.: 51WC10MA42A

#### Lighting technology | Lamps | Control gear

##### Component 1

#### Lighting technology:

- Cover: cover, opal
- Beam angle: extremely wide distribution
- Symmetry: symmetric
- Light emission: direct distribution
- UGR viewing direction along longitudinal luminaire axis:  $\leq 25$
- UGR viewing direction along lateral luminaire axis:  $\leq 25$

#### Lamps:

- Lamps: with LED
- Rated luminous flux: 2550lm
- Luminous efficacy: 134lm/W
- Colour temperature: 4000K
- Colour rendering index: CRI > 80
- Light colour: 840
- SDCM (Standard Deviation of Colour Matching): MacAdam  $\leq 3$  SDCM (initial)
- Rated input power: 19W
- Supplement: connected load according to luminous flux setting (13.5/15.5/17.5/19W), luminous flux adjustable on luminaire in four steps (1850/2100/23500/2550lm)

#### Operating device:

- Control: ON/OFF Multilumen

#### Certificates, Standards

- Protection rating: IP65
- Insulation class: insulation class II (safety insulation)
- Impact resistance: IK10
- Temperature range (operation): -20..+40°C
- Certification, designation: CE

#### Material, Colour

- luminaire housing: PC, traffic white (RAL 9016)
- Cover: cover of PC

#### Mounting

- Mounting method, mounting location: surface-mounted, to the ceiling, to the wall

#### Electrical connection

- Connection: terminal, 3-pole, max. 2.5mm<sup>2</sup>
- Nominal voltage: 220..240V, 50/60Hz, AC

#### Dimensions, Weight

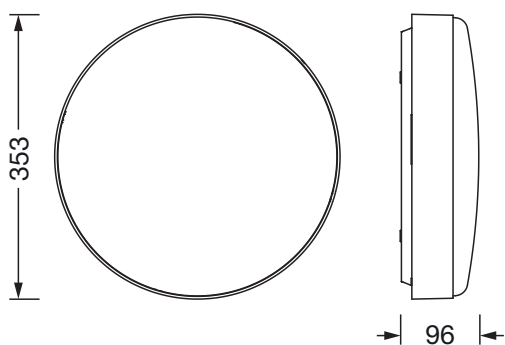
- Diameter: 350mm
- Weight: 1.7kg

#### Service life

- Rated service life: 50000h (L80/B50) at AT = 25°C

Order No.: 51WC10MA42A | GTIN (EAN): 4058352616949

Dimensions: ROU31,2550lm840,ML,Ø350



It is mandatory that the assembly instructions must be observed when planning and installing the electrical installation (to be found at [www.siteco.com](http://www.siteco.com))

Tolerances related to thermal, electrical and photometric data according to IEC 62722

Issued 14.02.2026 - Modifications and errors subject to change - Ensure that you always use the latest version -