

Order No.: 59US1HXSPR1A | GTIN (EAN): 4058352363997

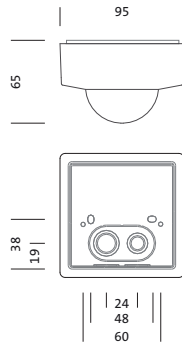
Product description: SConSHead,SensHdPR1S,lokCtrlCentCtrl



Siteco Connect Sensor-HeadSensor-Head PR1-S, slave, local control, central control, dimmable, installation type: slip-in mounting, installation location: on interface, of plastic, certification: CE, VDE, 1 x PIR movement sensor, 1 x light sensor, packaging unit: 1 piece



Wt. (kg): 0.1
GTIN (EAN): 4058352363997



It is mandatory that the assembly instructions must be observed when planning and installing the electrical installation (to be found at www.siteco.com)

Tolerances related to thermal, electrical and photometric data according to IEC 62722

Issued 05.01.2024 - Modifications and errors subject to change - Ensure that you always use the latest version -

Order No.: 59US1HXSPR1A | GTIN (EAN): 4058352363997

Detailed technical description: SConSHead,SensHdPR1S,lokCtrlcentCtrl



Key data

- System family: Siteco Connect 11, DALI-2, SITECO Connect, SITECO Connect 22
- Product type: sensor
- Product name: Siteco Connect Sensor-Head
- Order No.: 59US1HXSPR1A

Lighting technology | Lamps | Control gear

Component 1

Operating device:

- Control: DALI 2, dimmable

Certificates, Standards

- Temperature range (operation): -20..+50°C
- Certification, designation: CE, VDE

Material, Colour

- housing: plastic, white
- Colour specification: white

Mounting

- Mounting method, mounting location: slip-in mounting, on interface
- Mounting height: 2.5..5m

Dimensions, Weight

- Length: 95mm
- Width: 95mm
- Height: 65mm
- Weight: 0.1kg

Inputs

1x PIR movement sensor

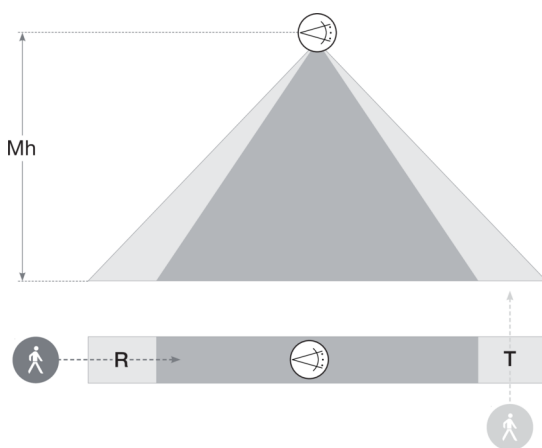
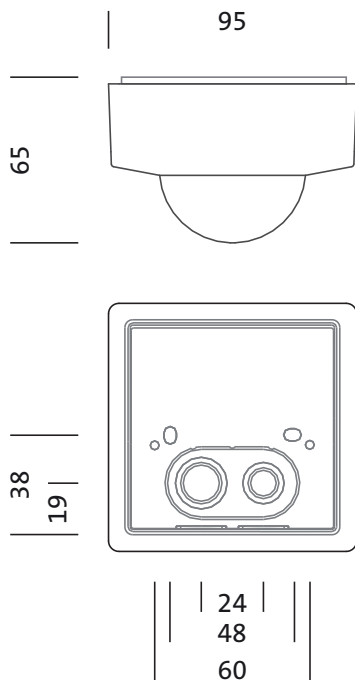
- Connection: system connector
- Detection range: max. 23x6m
- Option: 5 detection levels, 280 switching zones
- Feature: detection range can be limited with shield, rectangular detection area

1x light sensor

- Feature: light sensor with 'local control' without function

Order No.: 59US1HXSPR1A | GTIN (EAN): 4058352363997

Dimensions: SConSHead,SensHdPR1S,lokCtrlcentCtrl



Sensor Head PR1

Mh	R	T
2,5m	14 x 4m	20 x 4m
3,5m	14 x 4m	20 x 4m

It is mandatory that the assembly instructions must be observed when planning and installing the electrical installation (to be found at www.siteco.com)
 Tolerances related to thermal, electrical and photometric data according to IEC 62722
 Issued 05.01.2024 - Modifications and errors subject to change - Ensure that you always use the latest version -