

Order No.: 59US1HXMPR1A | **GTIN (EAN):** 4058352363850

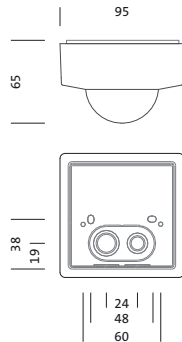
Product description: SConSHead,SensHdPR1M,lokCtrl,PIR-sens



Siteco Connect Sensor-HeadSensor-Head PR1-M, master, local control, switchable, dimmable, installation type: slip-in mounting, installation location: on interface, of plastic, protection rating (complete): IP54, certification: CE, VDE, 1 x PIR movement sensor, 1 x light sensor, 1 x IR receiver, packaging unit: 1 piece



Wt. (kg): 0.1
GTIN (EAN): 4058352363850



Order No.: 59US1HXMPR1A | GTIN (EAN): 4058352363850

Detailed technical description: SConSHead,SensHdPR1M,lOkCtrl,PIR-sens



Key data

- System family: SITECO Connect
- Product type: sensor
- Product name: Siteco Connect Sensor-Head
- Order No.: 59US1HXMPR1A

Certificates, Standards

- Protection rating: IP54
- Temperature range (operation): -20..+50°C
- Certification, designation: CE, VDE

Material, Colour

- housing: plastic, white
- Colour specification: white

Mounting

- Mounting method, mounting location: slip-in mounting, on interface
- Mounting height: 2.5..5m

Dimensions, Weight

- Length: 95mm
- Width: 95mm
- Height: 65mm
- Weight: 0.1kg

Inputs

1x PIR movement sensor

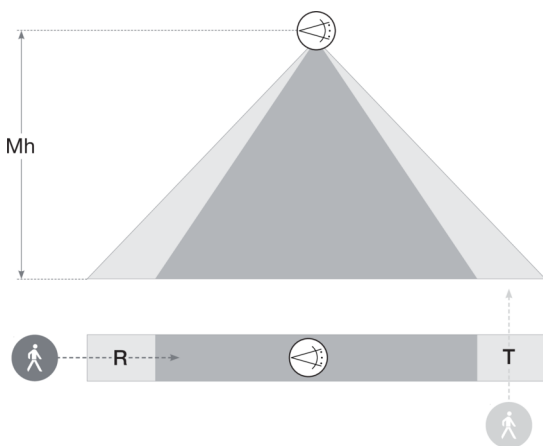
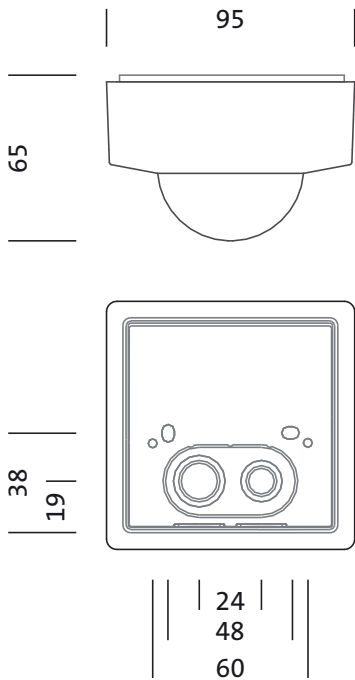
- Connection: system connector
- Detection range: max. 23x6m
- Option: 5 detection levels, 280 switching zones
- Feature: detection range can be limited with shield, rectangular detection area

1x IR receiver

- Feature: IR receiver for programming with Smart Remote

Order No.: 59US1HXMPR1A | GTIN (EAN): 4058352363850

Dimensions: SConSHead,SensHdPR1M,lokCtrl,PIR-sens



Sensor Head PR1

| Mh | R | T |
|------|---------|---------|
| 2,5m | 14 x 4m | 20 x 4m |
| 3,5m | 14 x 4m | 20 x 4m |

It is mandatory that the assembly instructions must be observed when planning and installing the electrical installation (to be found at www.siteco.com)

Tolerances related to thermal, electrical and photometric data according to IEC 62722

Issued 05.01.2024 - Modifications and errors subject to change - Ensure that you always use the latest version -