

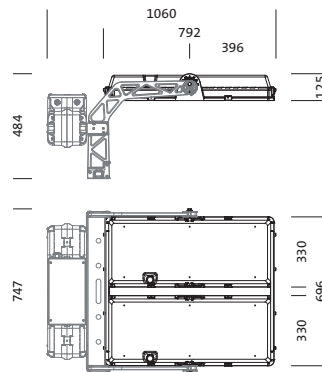
Order No.: 5XA7100W50A51DA | **GTIN (EAN):** 4058352366714

Product description: Sirius,LH,CUT-RS08,214617lm957,1974W,IC1

Sirius® luminaire head; light control with light control via reflectors with silver coating of plastic, silver coated; anti glare with shield; cover of toughened safety glass, transparent; light distribution: CUT-RS08, rotationally symmetric direct distribution, LED; (High Power LED), colour temperature: 5700K, rated luminous flux: 214.617lm, colour rendering: CRI > 95, Television Lighting Consistency Index: TLCl ≥ 96, light colour: 957; luminous efficacy: 109lm/W; with cable with plug, cable length: 1,2m; dimming range 5..100% per LED segment, LED unit replaceable without ESD environment, dustproof LED module; 1974W luminaire head LED unit of diecast aluminium, powder-coated Siteco® metallic grey (DB 702S); length: 792mm / width: 696mm / height: 126mm; 4 separate LED segments per floodlight, each switchable and dimmable separately, protection rating (complete): IP66; insulation class (complete): insulation class I (protective earthing); certification: CE, ENEC; impact resistance: IK10; inner permissible operating ambient temperature: in indoor areas: -30..+45°C, permissible storage temperature: -20..+50°C packaging unit: 1 piece



Lamps:	LED
Wt. (kg):	30.0
GTIN (EAN):	4058352366714



It is mandatory that the assembly instructions must be observed when planning and installing the electrical installation (to be found at www.siteco.com)

Tolerances related to thermal, electrical and photometric data according to IEC 62722

Issued 11.04.2025 - Modifications and errors subject to change - Ensure that you always use the latest version -

Order No.: 5XA7100W50A51DA | GTIN (EAN): 4058352366714

Detailed technical description: Sirius,LH,CUT-RS08,214617lm957,1974W,IC1

Key data

- Product type: luminaire head
- Product name: Sirius®
- Order No.: 5XA7100W50A51DA

Lighting technology | Lamps | Control gear

Component 1

Lighting technology:

- Light control: light control via reflectors with silver coating of plastic, silver coated
- Cover: cover, transparent
- Glare reduction: shield
- Light distribution: CUT-RS08
- Symmetry: rotationally symmetric
- Light emission: direct distribution
- UGR viewing direction along longitudinal luminaire axis: ≤ 13
- UGR viewing direction along lateral luminaire axis: ≤ 13

Lamps:

- Lamps: with High Power LED, LED
- Rated luminous flux: 214617lm
- Luminous efficacy: 109lm/W
- Colour temperature: 5700K
- Colour rendering index: CRI > 95
- Light colour: 957
- TLCl (Television Light Consistency Index): TLCl ≥ 96
- Rated input power: 1974W
- Supplement: dimming range 5..100% per LED segment

Certificates, Standards

- Protection rating: IP66
- Insulation class: insulation class I (protective earthing)
- Impact resistance: IK10
- Temperature range (operation): in indoor areas: -30..+45°C
- Certification, designation: CE, ENEC

Material, Colour

- LED unit: diecast aluminium, powder-coated, Siteco® metallic grey (DB 702S)
- Colour specification: Siteco® metallic grey (DB 702S)
- Cover: cover of toughened safety glass

Mounting

- Mounting method, mounting location: screw fastening, to mounting bracket

Electrical connection

- Connection: cable with plug

Dimensions, Weight

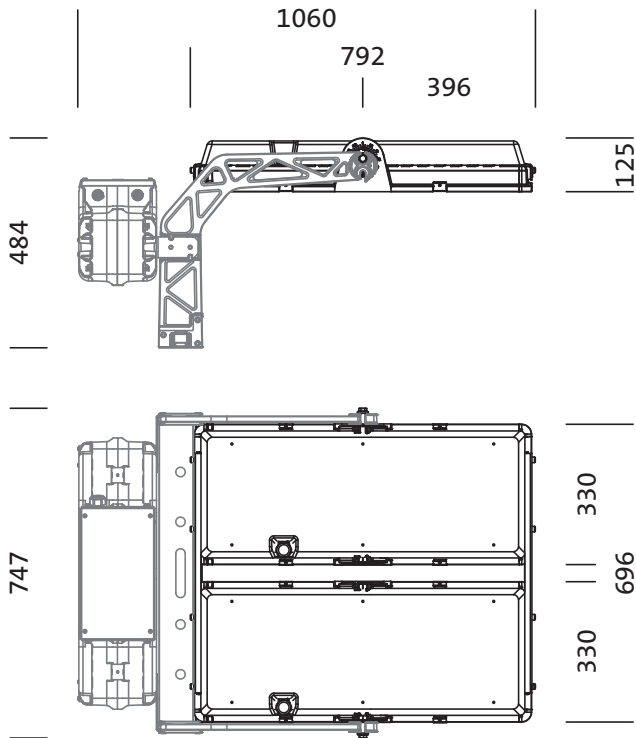
- Length: 792mm
- Width: 696mm
- Height: 126mm
- Weight: 30.0kg

Service life

- Rated service life: 50000h (L90/B50) at AT = 25°C, 10000h (L97/B50) at AT = 25°C

Order No.: 5XA7100W50A51DA | GTIN (EAN): 4058352366714

Dimensions: Sirius,LH,CUT-RS08,214617Im957,1974W,IC1



It is mandatory that the assembly instructions must be observed when planning and installing the electrical installation (to be found at www.siteco.com)
Tolerances related to thermal, electrical and photometric data according to IEC 62722
Issued 11.04.2025 - Modifications and errors subject to change - Ensure that you always use the latest version -