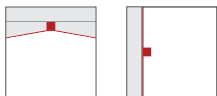


Order No.: 5MD530CL18TW | **GTIN (EAN):** 4058352408407

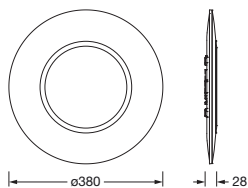
Product description: Rond21,1710lm8tw,BT4.2,PC,wh



Rondel 21, wall and ceiling luminaire, of PC, opal, light emission: direct distribution, installation type: surface-mounted, LED, rated luminous flux: 1.710lm, luminous efficacy: 82lm/W, light colour: 8tw, colour temperature: 2700..6500K, control gear: ECG, with terminal, 2-pole, mains connection: 220..240V, AC, 50/60Hz, rated input power: 22W, housing, round, of sheet steel, powder-coated, white, diameter: 380mm, height: 28mm, cover, of PC, graphite (RAL 7037), protection rating (complete): IP40, insulation class (complete): insulation class II (safety insulation), certification: CE, impact resistance: IK03, permissible operating ambient temperature: -20..+40°C, packaging unit: 1 piece

IP 40 IK 03  

Lamps:	LED
Wt. (kg):	1.3
GTIN (EAN):	4058352408407



Order No.: 5MD530CL18TW | **GTIN (EAN):** 4058352408407

Detailed technical description: Rond21,1710lm8tw,BT4.2,PC,wh



Key data

- System family: SITECO Connect 31 Wireless
- Product type: wall and ceiling luminaire
- Product name: Rondel 21
- Order No.: 5MD530CL18TW

Lighting technology | Lamps | Control gear

Component 1

Lighting technology:

- Light emission: direct distribution

Lamps:

- Lamps: with LED
- Rated luminous flux: 1710lm
- Luminous efficacy: 82lm/W
- Colour temperature: 2700..6500K
- Colour rendering index: CRI > 80
- Light colour: 8tw
- Rated input power: 22W

Operating device:

- Control gear: ECG
- Control: Bluetooth® mesh 4.2

Certificates, Standards

- Protection rating: IP40
- Insulation class: insulation class II (safety insulation)
- Impact resistance: IK03
- Temperature range (operation): -20..+40°C
- Certification, designation: CE

Material, Colour

- housing: sheet steel, powder-coated, white, round
- Colour specification: white
- cover: PC, graphite (RAL 7037)
- Colour specification: graphite (RAL 7037)

Mounting

- Mounting method, mounting location: surface-mounted, to the ceiling, to the wall
- Supplement: only suitable for indoor use

Electrical connection

- Connection: terminal, 2-pole
- Nominal voltage: 220..240V, 50/60Hz, AC

Dimensions, Weight

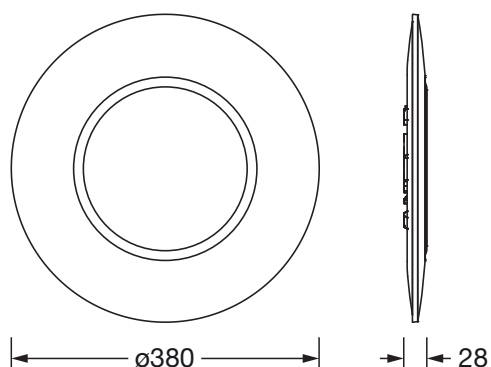
- Diameter: 380mm
- Height: 28mm
- Weight: 1.3kg

Service life

- Rated service life: 50000h (L70/B50) at AT = 25°C

Order No.: 5MD530CL18TW | GTIN (EAN): 4058352408407

Dimensions: Rond21,1710lm8tw,BT4.2,PC,wh



It is mandatory that the assembly instructions must be observed when planning and installing the electrical installation (to be found at www.siteco.com)

Tolerances related to thermal, electrical and photometric data according to IEC 62722

Issued 07.07.2023 - Modifications and errors subject to change - Ensure that you always use the latest version -