

**Order No.:** 51HP327A4FMA | **GTIN (EAN):** 4058352475614

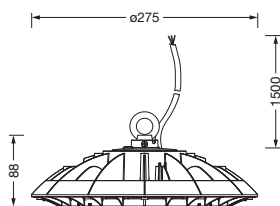
**Product description:** HB42S,rot.sym,wd,90°,12800lm840,0/1



Highbay 42-S, high bay luminaire, primary light control with lens, of PC, primary optical cover: cover panel, of PC, transparent, light emission: direct distribution, primary light characteristic: rotationally symmetric, installation type: suspended mounting, surface-mounted, LED, rated luminous flux: 12.800lm, luminous efficacy: 160lm/W, light colour: 840, colour temperature: 4000K, control gear: ON/OFF, with cable, 3x 1.0mm<sup>2</sup>, free wire ends, mains connection: 230V, AC, 50Hz, cable length: 1,5m, rated input power: 80W, housing, rotationally symmetric, of diecast aluminium, black, with hook on luminaire side, diameter: 275mm, height: 117mm, protection rating (complete): IP65, insulation class (complete): insulation class I (protective earthing), certification: CE, UKCA, protection symbol: D, impact resistance: IK08, permissible operating ambient temperature: -20..+40°C, corresponds to IFS (International Featured Standards) requirements for safety and quality in the food industry, packaging unit: 1 piece

IP65 IK08  

Lamps:	LED
Wt. (kg):	1.8
GTIN (EAN):	4058352475614



Order No.: 51HP327A4FMA | GTIN (EAN): 4058352475614

Detailed technical description: HB42S,rot.sym,wd,90°,12800lm840,0/1



#### Key data

- Product type: high bay luminaire
- Product name: Highbay 42-S
- Order No.: 51HP327A4FMA

#### Lighting technology | Lamps | Control gear

#### Component 1

#### Lighting technology:

- Light control: lens of PC
- Cover: cover panel, transparent
- Beam angle: wide distribution, 90°
- Symmetry: rotationally symmetric
- Light emission: direct distribution
- UGR viewing direction along longitudinal luminaire axis:  $\geq 25$
- UGR viewing direction along lateral luminaire axis:  $\geq 25$

#### Lamps:

- Lamps: with LED
- Rated luminous flux: 12800lm
- Luminous efficacy: 160lm/W
- Colour temperature: 4000K
- Colour rendering index: CRI > 80
- Light colour: 840
- SDCM (Standard Deviation of Colour Matching): MacAdam  $\leq 6$  SDCM (initial)
- Rated input power: 80W

#### Operating device:

- Control gear: ECG
- Control: ON/OFF

#### Certificates, Standards

- Protection rating: IP65
- Insulation class: insulation class I (protective earthing)
- Impact resistance: IK08
- Protection symbol: D
- Temperature range (operation): -20..+40°C
- Supplement: corresponds to IFS (International Featured Standards) requirements for safety and quality in the food industry
- Certification, designation: CE, UKCA

#### Material, Colour

- housing: diecast aluminium, black, rotationally symmetric, with hook on luminaire side
- Quantity: 1 piece
- Colour specification: black
- Cover: cover panel of PC

#### Mounting

- Mounting method, mounting location: suspended mounting, surface-mounted, to the ceiling, to the chain
- Arrangement: single arrangement
- Supplement: only suitable for use in indoor areas, mounting accessories required, please order separately

#### Electrical connection

- Connection: cable, 3x 1.0mm<sup>2</sup>, free wire ends
- Nominal voltage: 230V, 50Hz, AC

#### Dimensions, Weight

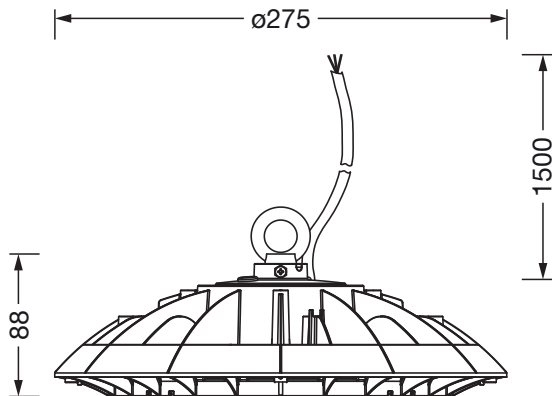
- Diameter: 275mm
- Height: 117mm
- Weight: 1.8kg

#### Service life

- Rated service life: 50000h (L80/B50) at AT = 25°C

Order No.: 51HP327A4FMA | GTIN (EAN): 4058352475614

Dimensions: HB42S,rot.sym,wd,90°,12800lm840,0/1



It is mandatory that the assembly instructions must be observed when planning and installing the electrical installation (to be found at [www.siteco.com](http://www.siteco.com))

Tolerances related to thermal, electrical and photometric data according to IEC 62722

Issued 09.04.2025 - Modifications and errors subject to change - Ensure that you always use the latest version -