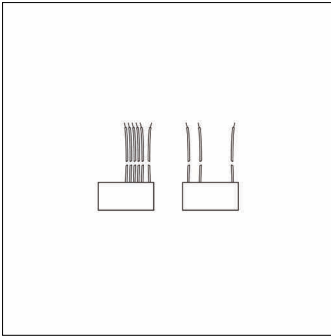


Order No.: 5XA769SCST | **GTIN (EAN):** 4058352556320

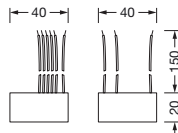
Product description: SConSp,psh.bttm.interf,lokCtrl



SITECO Connect Sport, push button interface, slave, local control, dimmable, installation type: surface-mounted, certification: CE, 4 x packaging unit: 1 piece

CE

Wt. (kg): 0.1
GTIN (EAN): 4058352556320



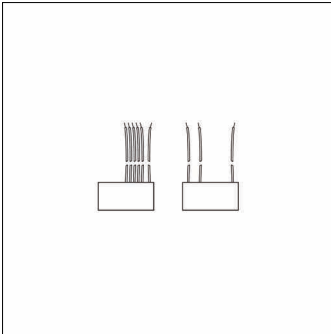
It is mandatory that the assembly instructions must be observed when planning and installing the electrical installation (to be found at www.siteco.com)

Tolerances related to thermal, electrical and photometric data according to IEC 62722

Issued 26.05.2023 - Modifications and errors subject to change - Ensure that you always use the latest version -

Order No.: 5XA769SCST | GTIN (EAN): 4058352556320

Detailed technical description: SConSp,psh.btn.interf,lokCtrl



Key data

- System family: SITECO Connect Wireless
- Product type: lighting management components
- Product name: SITECO Connect Sport
- Order No.: 5XA769SCST

Lighting technology | Lamps | Control gear

Component 1

Lamps:

- Rated input power: max. 3W

Operating device:

- Control: Casambi

Certificates, Standards

- Certification, designation: CE

Mounting

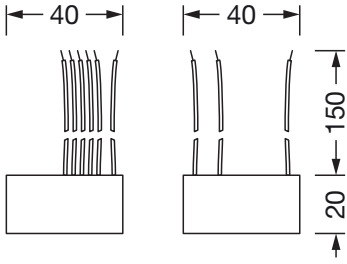
- Mounting method, mounting location: surface-mounted

Dimensions, Weight

- Weight: 0.1kg

Order No.: 5XA769SCST | GTIN (EAN): 4058352556320

Dimensions: SConSp,psh.bttf,lofCtrl



It is mandatory that the assembly instructions must be observed when planning and installing the electrical installation (to be found at www.siteco.com)

Tolerances related to thermal, electrical and photometric data according to IEC 62722

Issued 26.05.2023 - Modifications and errors subject to change - Ensure that you always use the latest version -