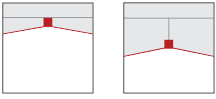


Order No.: 51HS12DD4JCA | **GTIN (EAN):** 4058352501825

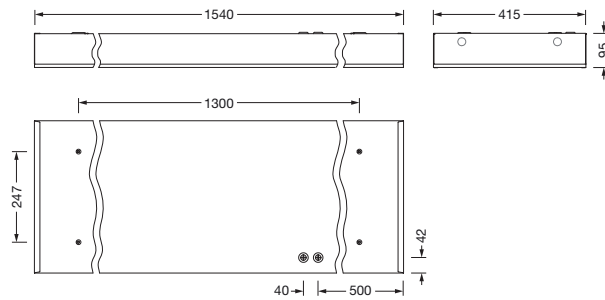
Product description: Sport31,1540x415,20000lm840,DA2wh



Sport 31, LED high bay luminaire, primary light control with reflector, of sheet steel, primary anti-glare with prismatic structure, of PC, primary optical cover: cover panel, of PC, light emission: direct distribution, primary light characteristic: symmetric, installation type: suspended mounting, recessed, surface-mounted, LED, rated luminous flux: 20.000lm, luminous efficacy: 137lm/W, light colour: 840, colour temperature: 4000K, control gear: ECG DALI, with terminal, 5-pole, max. 2.5mm², mains connection: 220..240V, AC/DC, 50/60Hz, rated input power: 146W, housing, of sheet steel, traffic white (RAL 9016), length: 1.540mm, width: 415mm, height: 95mm, protection rating (complete): IP20, protection rating (lamp compartment, on room side): IP50, insulation class (complete): insulation class I (protective earthing), certification: CE, ENEC, UKCA, ball protection: ball impact resistant with ceiling mounting or chain suspension, impact resistance: IK08, permissible operating ambient temperature: -20..+35°C, standard: DIN 18032-3, EN 60598-2-22, packaging unit: 1 piece



Lamps:	LED
Wt. (kg):	14.8
GTIN (EAN):	4058352501825



It is mandatory that the assembly instructions must be observed when planning and installing the electrical installation (to be found at www.siteco.com)

Tolerances related to thermal, electrical and photometric data according to IEC 62722

Issued 15.03.2024 - Modifications and errors subject to change - Ensure that you always use the latest version -

Order No.: 51HS12DD4JCA | GTIN (EAN): 4058352501825

Detailed technical description: Sport31,1540x415,20000lm840,DA2wh



Key data

- Product type: LED high bay luminaire
- Product name: Sport 31
- Order No.: 51HS12DD4JCA

Lighting technology | Lamps | Control gear

Component 1

Lighting technology:

- Light control: reflector of sheet steel
- Cover: cover panel
- Glare reduction: prismatic structure of PC
- Beam angle: wide distribution
- Symmetry: symmetric
- Light emission: direct distribution
- UGR viewing direction along longitudinal luminaire axis: ≤ 22
- UGR viewing direction along lateral luminaire axis: ≤ 22

Lamps:

- Lamps: with LED
- Rated luminous flux: 20000lm
- Luminous efficacy: 137lm/W
- Colour temperature: 4000K
- Colour rendering index: CRI > 80
- Light colour: 840
- SDCM (Standard Deviation of Colour Matching): MacAdam ≤ 4 SDCM (initial)
- Rated input power: 146W
- Supplement: for central battery installations, suitable for emergency light operating devices according to IEC 60598-2-22, luminous flux reduced to approx. 15% with DC operation, without flicker

Operating device:

- Control gear: ECG DALI
- Control: DALI 2

Certificates, Standards

- Protection rating: IP20
- Protection rating (lamp compartment, on room side): IP50
- Insulation class: insulation class I (protective earthing)
- Impact resistance: IK08
- Temperature range (operation): -20..+35°C
- Standard: EN 60598-2-22, DIN 18032-3
- Certification, designation: CE, ENEC, UKCA

Material, Colour

- housing: sheet steel, traffic white (RAL 9016)
- Quantity: 1 piece
- Colour specification: traffic white (RAL 9016)
- Cover: cover panel of PC

Mounting

- Mounting method, mounting location: suspended mounting, surface-mounted, recessed, to the ceiling, in the ceiling, to the chain
- Arrangement: single/continuous arrangement
- Supplement: for cut ceiling apertures, only suitable for indoor use, mounting accessories required, please order separately

Electrical connection

- Connection: terminal, 5-pole, max. 2.5mm²
- Nominal voltage: 220..240V, 50/60Hz, AC/DC

Dimensions, Weight

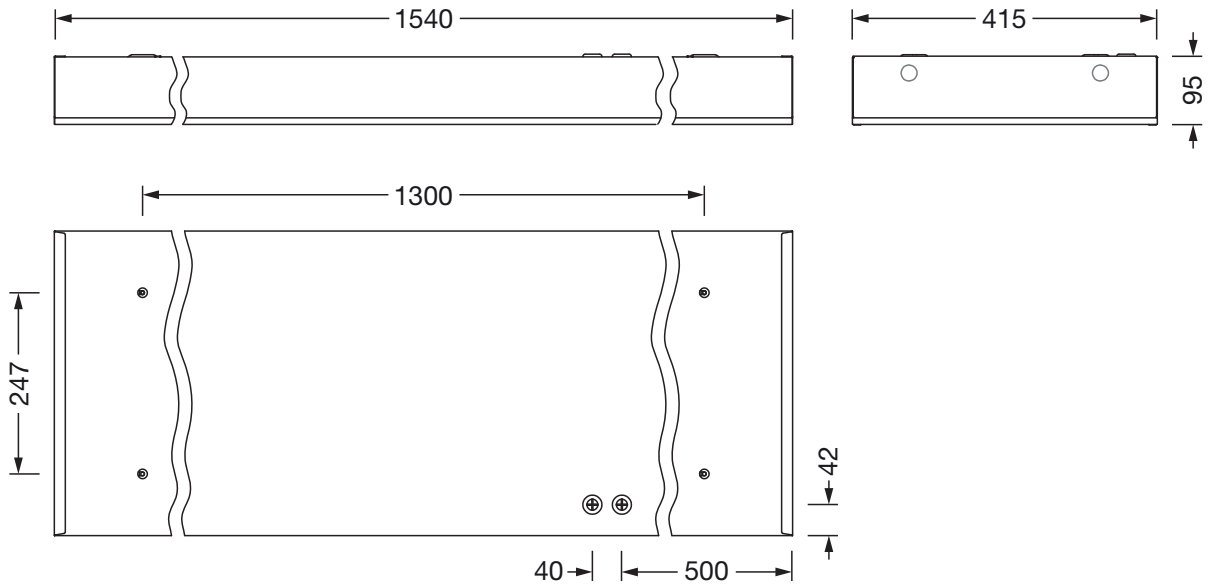
- Length: 1540mm
- Width: 415mm
- Height: 95mm
- Weight: 14.8kg

Service life

- Rated service life: 50000h (L85/B50) at AT = 25°C

Order No.: 51HS12DD4JCA | GTIN (EAN): 4058352501825

Dimensions: Sport31,1540x415,20000lm840,DA2wh



It is mandatory that the assembly instructions must be observed when planning and installing the electrical installation (to be found at www.siteco.com)

Tolerances related to thermal, electrical and photometric data according to IEC 62722

Issued 15.03.2024 - Modifications and errors subject to change - Ensure that you always use the latest version -