

**Order No.:** 51FB10DP487B3H | **GTIN (EAN):** 4058352520031

**Product description:** Mon21 em,diff,8090lm840,DA2EL3h,PMMA



Monsun® 21 emergency, damp-proof luminaire, chain hanger, primary optical cover: enclosure, of PMMA, light emission: direct distribution, primary light characteristic: symmetric, installation type: vertical mounting, horizontal mounting, surface-mounted, suspended mounting, LED, rated luminous flux: 8.090lm, luminous efficacy: 141lm/W, light colour: 840, colour temperature: 4000K, control gear: ECG DALI, with terminal, 5+3-pole, max. 2.5mm<sup>2</sup>, mains connection: 220..240V, AC, 50/60Hz, rated input power: 57W, control gear: single battery element, battery: NiCd, 4,5Ah, mains connection: 230V, housing, of glass-fibre reinforced polyester, uncoated, bright grey, incl. chain hanger, length: 1.590mm, width: 90mm, height: 88mm, clip for enclosure, of stainless steel (V2A), ceiling mounting element, of stainless steel (V2A), chain hanger, of stainless steel (V2A), protection rating (complete): IP66, insulation class (complete): insulation class I (protective earthing), certification: CE, UKCA, protection symbol: D, impact resistance: IK04, permissible operating ambient temperature: +5..+25°C, standard: EN 60598-2-1, EN 50419, EN 60598-2-22, corresponds to IFS (International Featured Standards) requirements for safety and quality in the food industry, for indoor or canopied outdoor use, no direct snow, no direct sun, no direct rain, contact your sales advisor before using the luminaires in applications with unclear chemical exposure, large temperature fluctuations or condensation-forming humidity, LABS conformity tested according to VDMA 24364:2018-05, packaging unit: 1 piece

▽ IP 66 ⊕ CE

Lamps: LED  
 Wt. (kg): 3.3  
 GTIN (EAN): 4058352520031



Order No.: 51FB10DP487B3H | GTIN (EAN): 4058352520031

Detailed technical description: Mon21em,diff,8090lm840,DA2EL3h,PMMA



### Key data

- Product type: damp-proof luminaire
- Product name: Monsun® 21 emergency
- Order No.: 51FB10DP487B3H

### Lighting technology | Lamps | Control gear

#### Component 1

#### Lighting technology:

- Cover: enclosure
- Beam angle: diffuse distribution
- Symmetry: symmetric
- Light emission: direct distribution

#### Lamps:

- Supplement: with central self-test function according to 60598-2-22 via DALI

#### Operating device:

- Control gear: single battery element
- Battery: NiCd
- Nominal service life: 3h

#### Component 2

#### Certificates, Standards

- Protection rating: IP66
- Insulation class: insulation class I (protective earthing)
- Impact resistance: IK04
- Protection symbol: D
- Temperature range (operation): +5..+25°C
- Supplement: corresponds to IFS (International Featured Standards) requirements for safety and quality in the food industry, for indoor or canopied outdoor use, no direct snow, no direct sun, no direct rain, LABS conformity tested according to VDMA 24364:2018-05, contact your sales advisor before using the luminaires in applications with unclear chemical exposure, large temperature fluctuations or condensation-forming humidity
- Standard: EN 50419, EN 60598-2-1, EN 60598-2-22
- Certification, designation: CE, UKCA

### Material, Colour

- housing: glass-fibre reinforced polyester, uncoated, bright grey, incl. chain hanger
- Colour specification: bright grey
- clip for enclosure: stainless steel (V2A)
- Quantity: 10 piece
- ceiling mounting element: stainless steel (V2A), ceiling mounting included
- Quantity: 2 piece
- chain hanger: stainless steel (V2A)
- Quantity: 2 piece
- Cover: enclosure of PMMA

### Mounting

- Mounting method, mounting location: suspended mounting, surface-mounted, horizontal mounting, vertical mounting, to the ceiling, to the wall, to the Licross® mounting rail
- Arrangement: single/continuous arrangement
- Supplement: luminaire includes fixing accessories for ceiling surface mounting; for other types of installation: please order mounting accessories separately

### Electrical connection

- Connection: terminal, 5+3-pole, max. 2.5mm<sup>2</sup>
- Nominal voltage: 220..240V, 50/60Hz, AC

### Dimensions, Weight

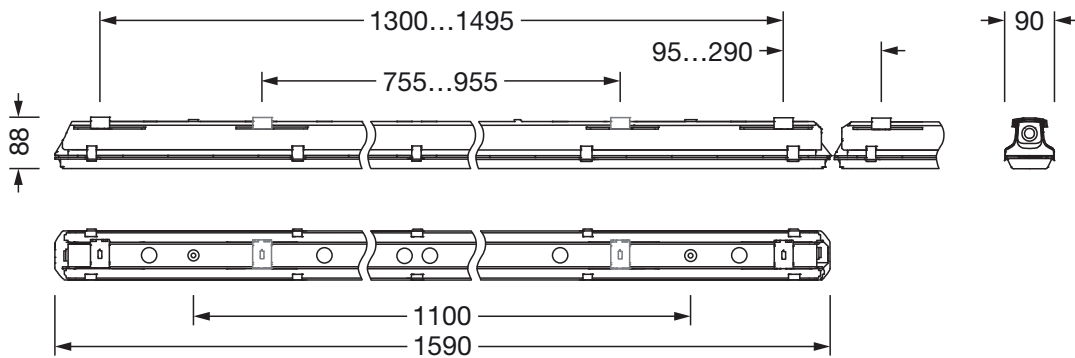
- Length: 1590mm
- Width: 90mm
- Height: 88mm
- Weight: 3.3kg

### Service life

- Rated service life: 50000h (L85/B50) at AT = 35°C

Order No.: 51FB10DP487B3H | GTIN (EAN): 4058352520031

Dimensions: Mon21em,diff,8090lm840,DA2EL3h,PMMA



It is mandatory that the assembly instructions must be observed when planning and installing the electrical installation (to be found at [www.siteco.com](http://www.siteco.com))

Tolerances related to thermal, electrical and photometric data according to IEC 62722

Issued 10.11.2023 - Modifications and errors subject to change - Ensure that you always use the latest version -