

Order No.: 5LZ935202A | GTIN (EAN): 4058352838105

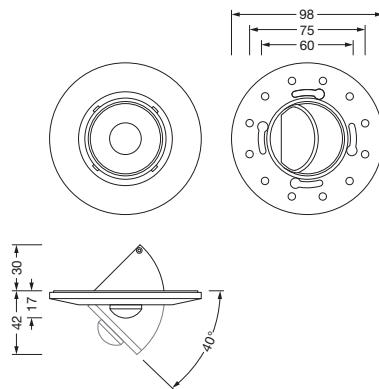
Product description: SCon,PC4,lokCtrl,PIR-sens



SITECO Connectsensor PC4, local control, installation type: recessed, installation location: in the luminaire, of plastic, protection rating (complete): IP20, insulation class (complete): insulation class II (safety insulation), certification: CE, 1 x PIR movement sensor, 1 x light sensor, 1 x LED red/green, packaging unit: 1 piece

IP 20  

Wt. (kg): 0.1
GTIN (EAN): 4058352838105



It is mandatory that the assembly instructions must be observed when planning and installing the electrical installation (to be found at www.siteco.com)

Tolerances related to thermal, electrical and photometric data according to IEC 62722

Issued 16.02.2024 - Modifications and errors subject to change - Ensure that you always use the latest version -

Order No.: 5LZ935202A | GTIN (EAN): 4058352838105

Detailed technical description: SCon,PC4,IokCtrl,PIR-sens



Key data

- System family: SITECO Connect 31 Office
- Product type: lighting management components
- Product name: SITECO Connect
- Order No.: 5LZ935202A

Certificates, Standards

- Protection rating: IP20
- Insulation class: insulation class II (safety insulation)
- Temperature range (operation): -10..+40°C
- Certification, designation: CE

Material, Colour

- housing: plastic, matt pure white (RAL 9010)
- Colour specification: matt pure white (RAL 9010)

Mounting

- Mounting method, mounting location: recessed, in the luminaire
- Mounting height: 2..5m
- Supplement: only suitable for indoor use

Dimensions, Weight

- Length: 86mm
- Width: 86mm
- Height: 63mm
- Recess depth: 30mm
- Weight: 0.1kg

Inputs

1x PIR movement sensor

- Connection: PIR sensor (passive-infrared)
- Detection angle: 360°
- Detection range: radial min. \varnothing 5m, max. \varnothing 7m; tangential min. \varnothing 6.5m, max. \varnothing 8.5m
- Detection range: min. \varnothing 3.5m, max. \varnothing 6.0m
- Feature: circular detection area

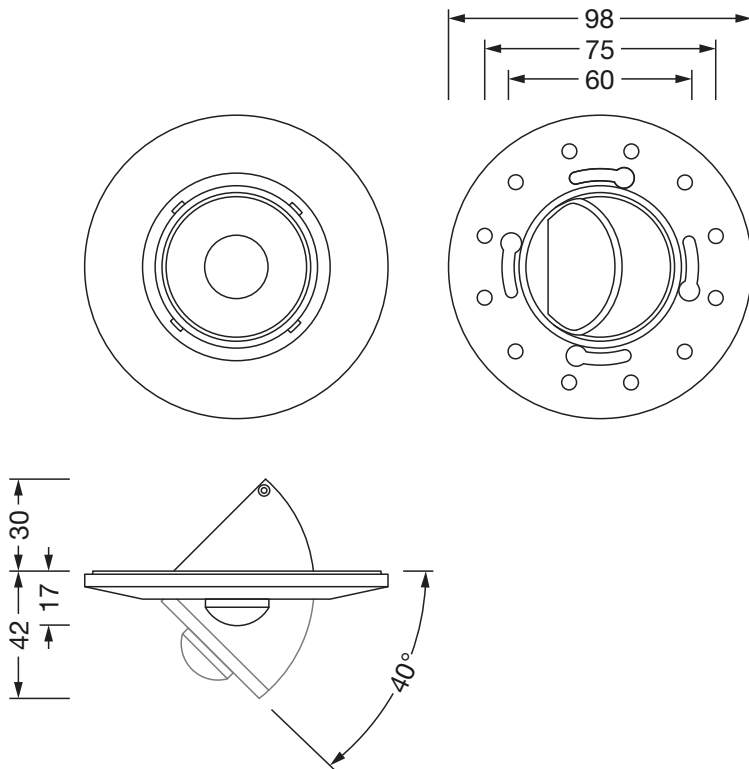
Outputs

1x LED red/green

- Feature: for displaying initialization

Order No.: 5LZ935202A | GTIN (EAN): 4058352838105

Dimensions: SCon,PC4,lokCtrl,PIR-sens



It is mandatory that the assembly instructions must be observed when planning and installing the electrical installation (to be found at www.siteco.com)

Tolerances related to thermal, electrical and photometric data according to IEC 62722

Issued 16.02.2024 - Modifications and errors subject to change - Ensure that you always use the latest version -