

Order No.: 51MX14TCTAW | **GTIN (EAN):** 4058352808986

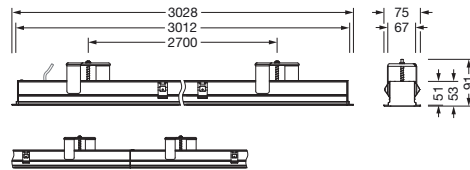
Product description: Sil21,ELD-Lbk,8200lm8tw,DT8,L3028,wh,rec



Silica® 21, office luminaire, primary light control with darklight reflector, of PMMA, black, light emission: direct distribution, primary light characteristic: asymmetric, installation type: recessed, LED, rated luminous flux: 8.200lm, luminous efficacy: 96lm/W, light colour: 8tw, colour temperature: 2700..6500K, control gear: DALI DT8, with terminal, 3+2-pole, max. 2.5mm², mains connection: 220..240V, AC, 50/60Hz, rated input power: 85.2W, luminaire housing, of aluminium, traffic white (RAL 9016), length: 3.028mm, width: 79mm, height: 53mm, protection rating (complete): IP20, insulation class (complete): insulation class I (protective earthing), certification: CE, ENEC, VDE, permissible operating ambient temperature: 0..+35°C, standard: EN 50419, packaging unit: 1 piece



Lamps: LED
 Wt. (kg): 6.0
 GTIN (EAN): 4058352808986



It is mandatory that the assembly instructions must be observed when planning and installing the electrical installation (to be found at www.siteco.com)

Tolerances related to thermal, electrical and photometric data according to IEC 62722

Issued 09.04.2025 - Modifications and errors subject to change - Ensure that you always use the latest version -

Order No.: 51MX14TCTAW | GTIN (EAN): 4058352808986

Detailed technical description: Sil21,ELD-Lbk,8200lm8tw,DT8,L3028,wh,rec



Key data

- Product type: office luminaire
- Product name: Silica® 21
- Order No.: 51MX14TCTAW

Lighting technology | Lamps | Control gear

Component 1

Lighting technology:

- Light control: darklight reflector of PMMA, black
- Beam angle: wallwasher
- Symmetry: asymmetric distribution
- Light emission: direct distribution

Lamps:

- Lamps: with LED
- Rated luminous flux: 8200lm
- Luminous efficacy: 96lm/W
- Colour temperature: 2700..6500K
- Colour rendering index: CRI > 80
- Light colour: 8tw
- SDCM (Standard Deviation of Colour Matching): MacAdam ≤ 3 SDCM (initial)
- Rated input power: 85.2W

Operating device:

- Control: DALI DT8

Certificates, Standards

- Protection rating: IP20
- Insulation class: insulation class I (protective earthing)
- Temperature range (operation): 0..+35°C
- Standard: EN 50419
- Certification, designation: CE, ENEC, VDE

Material, Colour

- luminaire housing: aluminium, traffic white (RAL 9016)
- Colour specification: traffic white (RAL 9016)

Mounting

- Mounting method, mounting location: recessed, in the ceiling
- Arrangement: single arrangement

Electrical connection

- Connection: terminal, 3+2-pole, max. 2.5mm²
- Nominal voltage: 220..240V, 50/60Hz, AC

Dimensions, Weight

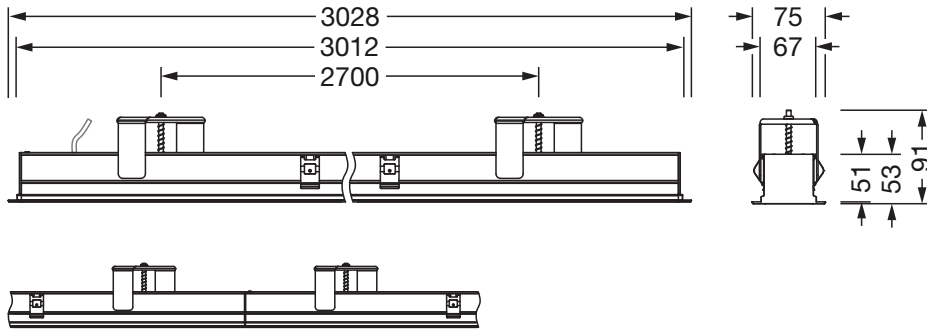
- Length: 3028mm
- Width: 79mm
- Height: 53mm
- Weight: 6.0kg

Service life

- Rated service life: 50000h (L85/B50) at AT = 25°C

Order No.: 51MX14TCTAW | GTIN (EAN): 4058352808986

Dimensions: Sil21,ELD-Lbk,8200lm8tw,DT8,L3028,wh,rec



It is mandatory that the assembly instructions must be observed when planning and installing the electrical installation (to be found at www.siteco.com)

Tolerances related to thermal, electrical and photometric data according to IEC 62722

Issued 09.04.2025 - Modifications and errors subject to change - Ensure that you always use the latest version -