

**Order No.:** 51FT10MN4A0ATR1 | **GTIN (EAN):** 4058352742136

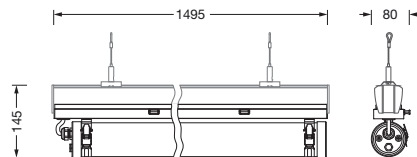
**Product description:** Mon31T,diff,10000lm840,ML,PMMA



Monsun® 31 Tube, tubular luminaire, primary optical cover: diffuser, of PMMA, light emission: direct distribution, primary light characteristic: symmetric, LED, rated luminous flux: 10.000lm, luminous efficacy: 172lm/W, light colour: 840, colour temperature: 4000K, with with 1 terminal, 3-pole, max. 2.5mm<sup>2</sup>, mains connection: 220..240V, AC, 50/60Hz, rated input power: 58W, housing, cylindrical, of PMMA, semi-transparent, matt white, with luminaire and ceiling fastening, V4A, mounting with brackets of stainless steel, length: 1.495mm, diameter: 75mm, end cap, of stainless steel (V4A), protection rating (complete): IP20, protection rating (lamp compartment): IP67/69K, insulation class (complete): insulation class I (protective earthing), certification: CE, UKCA, impact resistance: IK07, permissible operating ambient temperature: -20..+40°C, corresponds to IFS (International Featured Standards) requirements for safety and quality in the food industry, contact your sales advisor before using the luminaires in applications with unclear chemical exposure, large temperature fluctuations or condensation-forming humidity, packaging unit: 1 piece

IP 20 IK 07   

|             |               |
|-------------|---------------|
| Lamps:      | LED           |
| Wt. (kg):   | 2.6           |
| GTIN (EAN): | 4058352742136 |



**Order No.:** 51FT10MN4A0ATR1 | **GTIN (EAN):** 4058352742136

**Detailed technical description:** Mon31T,diff,10000lm840,ML,PMMA



#### Key data

- Product type: tubular luminaire
- Product name: Monsun® 31 Tube
- Order No.: 51FT10MN4A0ATR1

#### Lighting technology | Lamps | Control gear

#### Component 1

#### Lighting technology:

- Cover: diffuser
- Beam angle: diffuse distribution
- Symmetry: symmetric
- Light emission: direct distribution
- UGR viewing direction along longitudinal luminaire axis:  $\leq 25$
- UGR viewing direction along lateral luminaire axis:  $\leq 25$

#### Lamps:

- Lamps: with LED
- Rated luminous flux: 10000lm
- Luminous efficacy: 172lm/W
- Colour temperature: 4000K
- Colour rendering index: CRI > 80
- Light colour: 840
- SDCM (Standard Deviation of Colour Matching): MacAdam  $\leq 4$  SDCM (initial)
- Rated input power: 58W
- Supplement: connected load according to luminous flux setting (25/37/46/58W), luminous flux adjustable on luminaire in four steps (4450/6500/8000/10000lm)

#### Operating device:

- Control: ON/OFF Multilumen

#### Certificates, Standards

- Protection rating: IP20
- Protection rating (lamp compartment): IP67/69K
- Insulation class: insulation class I (protective earthing)
- Impact resistance: IK07
- Temperature range (operation): -20..+40°C
- Supplement: corresponds to IFS (International Featured Standards) requirements for safety and quality in the food industry, contact your sales advisor before using the luminaires in applications with unclear chemical exposure, large temperature fluctuations or condensation-forming humidity
- Certification, designation: CE, UKCA

#### Material, Colour

- housing: PMMA, semi-transparent, matt white, cylindrical, with luminaire and ceiling fastening, V4A, mounting with brackets of stainless steel
- Colour specification: matt white
- end cap: stainless steel (V4A)
- Quantity: 2 piece
- Cover: diffuser of PMMA

#### Mounting

- Arrangement: single arrangement

#### Electrical connection

- Connection: with 1 terminal, 3-pole, max. 2.5mm<sup>2</sup>
- Nominal voltage: 220..240V, 50/60Hz, AC

#### Dimensions, Weight

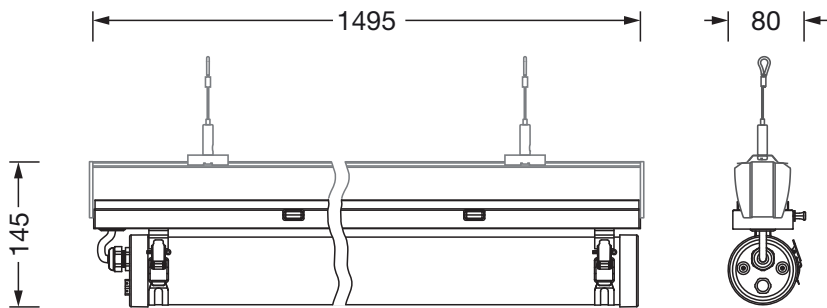
- Length: 1495mm
- Diameter: 75mm
- Weight: 2.6kg

#### Service life

- Rated service life: 50000h (L80/B50) at AT = 25°C

Order No.: 51FT10MN4A0ATR1 | GTIN (EAN): 4058352742136

Dimensions: Mon31T,diff,10000lm840,ML,PMMA



It is mandatory that the assembly instructions must be observed when planning and installing the electrical installation (to be found at [www.siteco.com](http://www.siteco.com))  
Tolerances related to thermal, electrical and photometric data according to IEC 62722  
Issued 10.11.2023 - Modifications and errors subject to change - Ensure that you always use the latest version -