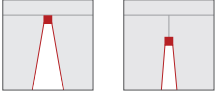


Order No.: 52TD11CN4C5S | **GTIN (EAN):** 4058352902523

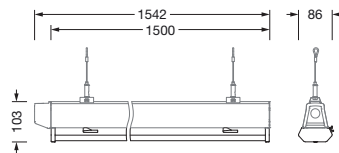
Product description: Lic21Pr,nrrw,12650lm840,MLCi,IP54,L1500



Licross® 21 Protected HO, luminaire insert, of sheet steel, galvanised, coil coated, white, length: 1.500mm, width: 66mm, height: 67mm, LED rated luminous flux: 12.650lm, light colour: 840, control gear: ON/OFF Multilumen, CLOi, control gear: ECG Multilumen, with plug, 3-pole, with phase selection, mains connection: 220..240V, AC, 50/60Hz, start of lifetime: 69W, end of service life: 83W, halogen-free wiring, primary light control with lens, of plastic, primary optical cover: cover, of PMMA, light emission: direct distribution, primary light characteristic: symmetric, protection rating (complete): IP54, insulation class (complete): insulation class I (protective earthing), certification: CE, ENEC, VDE, UKCA, protection symbol: D if used in an environment with non-conductive dust loads with corresponding accessories, impact resistance: IK06, permissible ambient temperature for indoor applications: -35..+35°C, corresponds to IFS (International Featured Standards) requirements for safety and quality in the food industry, reducing of maximum allowable ambient temperature of 5°C with ceiling mounting, LABS conformity tested according to VDMA 24364:2018-05, packaging unit: 1 piece



Lamps:	LED
Wt. (kg):	2.4
GTIN (EAN):	4058352902523



Order No.: 52TD11CN4C5S | **GTIN (EAN):** 4058352902523

Detailed technical description: Lic21Pr,nrrw,12650lm840,MLCi,IP54,L1500



Key data

- Product type: luminaire insert
- Product name: Licross® 21 Protected HO
- Order No.: 52TD11CN4C5S

Lighting technology | Lamps | Control gear

Component 1

Lighting technology:

- Light control: lens of plastic
- Cover: cover
- Beam angle: narrow distribution
- Symmetry: symmetric
- Light emission: direct distribution

Lamps:

- Lamps: with LED
- Rated luminous flux: 12650lm
- Luminous efficacy: 184lm/W
- Colour temperature: 4000K
- Colour rendering index: CRI > 80
- Light colour: 840
- SDCM (Standard Deviation of Colour Matching): MacAdam ≤ 3 SDCM (initial)
- Rated input power begin service life: 69
- Rated input power end service life: 83
- Supplement: halogen-free wiring

Operating device:

- Control gear: ECG Multilumen
- Control: ON/OFF Multilumen, CLOi

Certificates, Standards

- Protection rating: IP54
- Insulation class: insulation class I (protective earthing)
- Impact resistance: IK06
- Protection symbol: D if used in an environment with non-conductive dust loads with corresponding accessories
- Temperature range (operation): -35..+35°C
- Supplement: corresponds to IFS (International Featured Standards) requirements for safety and quality in the food industry, reducing of maximum allowable ambient temperature of 5°C with ceiling mounting, LABS conformity tested according to VDMA 24364:2018-05
- Certification, designation: CE, ENEC, VDE, UKCA

Material, Colour

- Licross® LED insert: sheet steel, galvanised, coil coated, white
- Colour specification: white
- Cover: cover of PMMA

Mounting

- Mounting method, mounting location: slip-in mounting, in the Licross® trunking rail
- Arrangement: single/continuous arrangement
- Supplement: only suitable for indoor use

Electrical connection

- Connection: plug, 3-pole, with phase selection
- Nominal voltage: 220..240V, 50/60Hz, AC

Dimensions, Weight

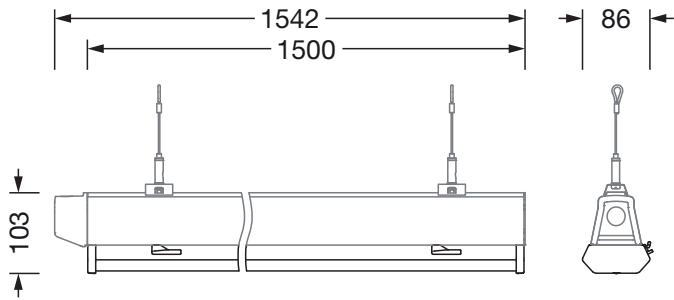
- Length: 1500mm
- Width: 66mm
- Height: 67mm
- Weight: 2.4kg

Service life

- Rated service life: 75000h (L100/B50) at AT = 25°C

Order No.: 52TD11CN4C5S | GTIN (EAN): 4058352902523

Dimensions: Lic21Pr,nrrw,12650lm840,MLCi,IP54,L1500



It is mandatory that the assembly instructions must be observed when planning and installing the electrical installation (to be found at www.siteco.com)

Tolerances related to thermal, electrical and photometric data according to IEC 62722

Issued 01.03.2024 - Modifications and errors subject to change - Ensure that you always use the latest version -