

Order No.: 5EA40RB01 | GTIN (EAN): 4058352916438

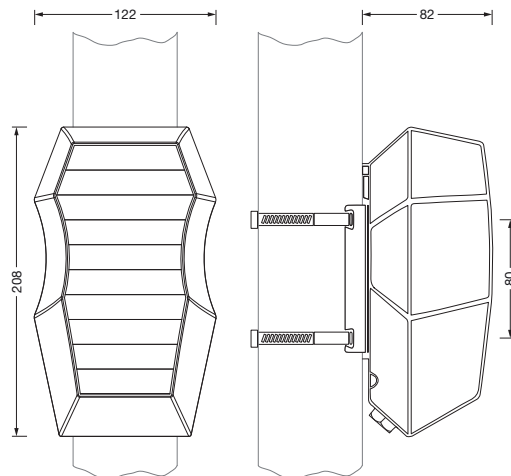
Product description: SConWi,MastBoxMotRad



SITECO Connect Wireless Mast Box Motion Radar, installation type: surface-mounted, installation location: to mast, of plastic, voltage: 230V, voltage type: AC, 2.4GHz, local mesh radio network, DALI, local setting and operation with USB stick, by movement, 2 radar movement sensors, radar movement sensor, radio, 2.4GHz, protection rating (complete): IP66, certification: CE, packaging unit: 1 piece

IP 66 CE

Wt. (kg): 0.8  
GTIN (EAN): 4058352916438



Order No.: 5EA40RB01 | GTIN (EAN): 4058352916438

Detailed technical description: SConWi,MastBoxMotRad



#### Key data

- Product type: sensor
- Product name: SITECO Connect Wireless
- Order No.: 5EA40RB01

#### Lighting technology | Lamps | Control gear

#### Component 1

#### Operating device:

- Control: DALI

#### Certificates, Standards

- Protection rating: IP66
- Temperature range (operation): -20..+60°C
- Certification, designation: CE

#### Material, Colour

- housing: plastic, transparent, colour-backed, dark grey
- Colour specification: dark grey

#### Mounting

- Mounting method, mounting location: surface-mounted, to mast
- Mounting height: 4..10m

#### Electrical connection

- Nominal voltage: 230V, AC

#### Dimensions, Weight

- Weight: 0.8kg

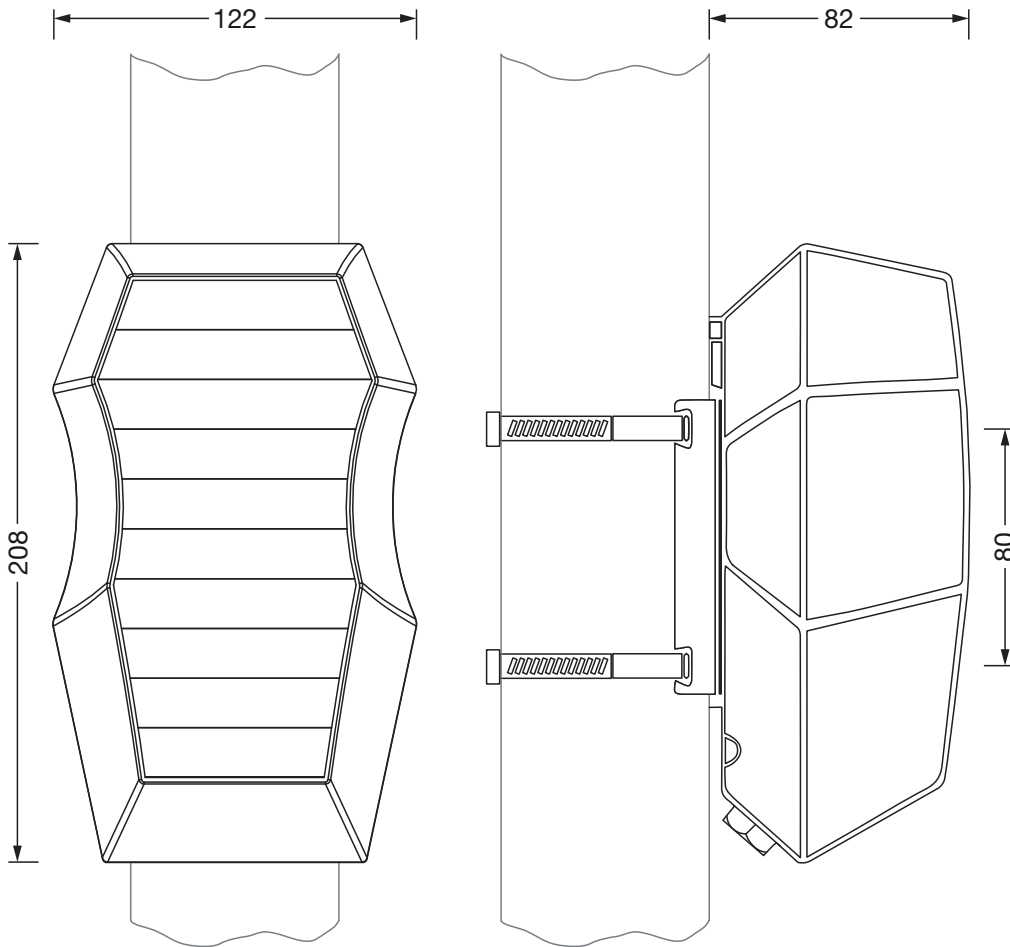
#### Inputs

#### radar movement sensor

- Detection range: max. 15x5m

Order No.: 5EA40RB01 | GTIN (EAN): 4058352916438

Dimensions: SConWi,MastBoxMotRad

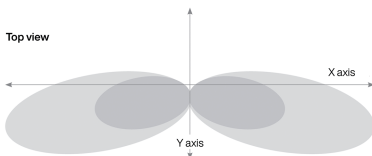


### Detection zone 5EA40RB01

Side view



Top view



Mounting height 5m	X axis	Y axis
Vehicles	70.0 m	15.0 m
People	25.0 m	10.0 m

It is mandatory that the assembly instructions must be observed when planning and installing the electrical installation (to be found at [www.siteco.com](http://www.siteco.com))  
 Tolerances related to thermal, electrical and photometric data according to IEC 62722  
 Issued 12.04.2024 - Modifications and errors subject to change - Ensure that you always use the latest version -