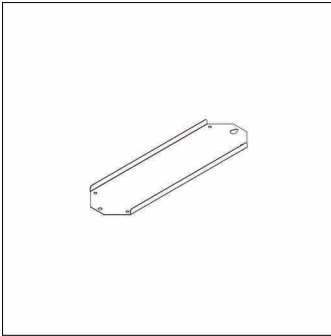


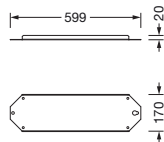
Order No.: 5XA779REH | GTIN (EAN): 4058352782859

Product description: FL11,ECG-fix,st.steel



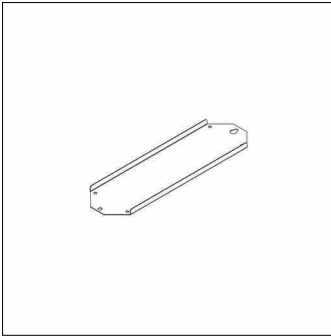
Floodlight FL 11 fixing bracket; fixing bracket fixing for ECG unit of stainless steel, packaging unit: 1 piece

Wt. (kg): 1.0
GTIN (EAN): 4058352782859



Order No.: 5XA779REH | GTIN (EAN): 4058352782859

Detailed technical description: FL11,ECG-fix,st.steel



Key data

- Product type: fixing bracket
- Product name: Floodlight FL 11
- Order No.: 5XA779REH

Material, Colour

- fixing for ECG unit: stainless steel

Mounting

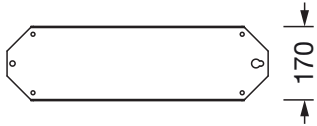
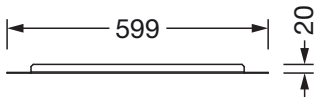
- Mounting method, mounting location:
screw fastening, in mast

Dimensions, Weight

- Weight: 1.0kg

Order No.: 5XA779REH | GTIN (EAN): 4058352782859

Dimensions: FL11, ECG-fix, st. steel



It is mandatory that the assembly instructions must be observed when planning and installing the electrical installation (to be found at www.siteco.com)

Tolerances related to thermal, electrical and photometric data according to IEC 62722

Issued 16.02.2024 - Modifications and errors subject to change - Ensure that you always use the latest version -