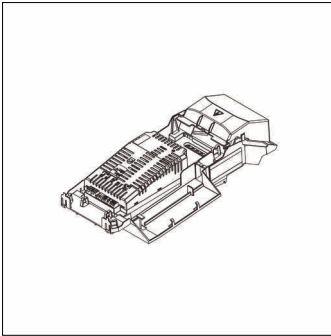


Order No.: 5XCECG31MBB | **GTIN (EAN):** 4058352246290

Product description: SL11,Plusmd,ECG-unit,165W



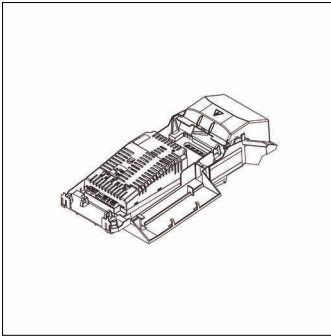
Streetlight SL 11 Plus midi, ECG unit, rated input power: 165W, ECG unit, certification: CE, packaging unit: 1 piece

CE

Wt. (kg): 1.0
GTIN (EAN): 4058352246290

Order No.: 5XCECG31MBB | GTIN (EAN): 4058352246290

Detailed technical description: SL11,Plusmd,ECG-unit,165W



Key data

- Product type: ECG unit
- Product name: Streetlight SL 11 Plus midi
- Order No.: 5XCECG31MBB

Lighting technology | Lamps | Control gear

Component 1

Lamps:

- Rated input power: 165W

Certificates, Standards

- Certification, designation: CE

Dimensions, Weight

- Weight: 1.0kg