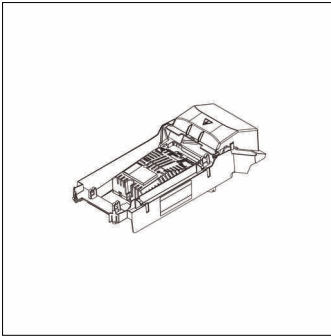


Order No.: 5XCECG11FBB | **GTIN (EAN):** 4058352246177

Product description: SL11,Plusmc,ECG-unit,30W



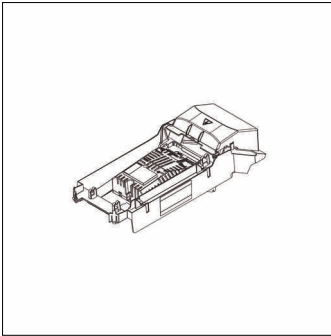
Streetlight SL 11 Plus micro, ECG unit, rated input power: 30W, ECG unit, certification: CE, packaging unit: 1 piece

CE

Wt. (kg): 0.5
GTIN (EAN): 4058352246177

Order No.: 5XCECG11FBB | GTIN (EAN): 4058352246177

Detailed technical description: SL11,Plusmc,ECG-unit,30W



Key data

- Product type: ECG unit
- Product name: Streetlight SL 11 Plus micro
- Order No.: 5XCECG11FBB

Lighting technology | Lamps | Control gear

Component 1

Lamps:

- Rated input power: 30W

Certificates, Standards

- Certification, designation: CE

Dimensions, Weight

- Weight: 0.5kg