

Order No.: 51DB18MA91C | **GTIN (EAN):** 4069025013040

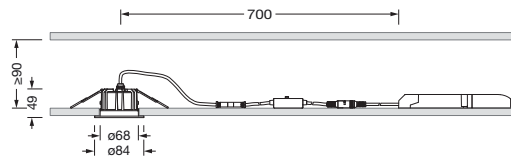
Product description: Lun21S,refl.wh,Ø68,980lm8mc,0/1 wh



Lunis 21, S, downlight, light control with lens, of PMMA, anti glare with reflector, of PC, light emission: direct distribution, LED rated luminous flux: 980lm, light colour: 830/840/865, with terminal, 3-pole, mains connection: 220..240V, AC, 50..60Hz, housing, round, of diecast aluminium, traffic white (RAL 9016), diameter: 84mm, clamping range: 1..40mm, protection rating (complete): IP20, protection rating (on room side): IP54, insulation class (complete): insulation class II (safety insulation), certification: CE, impact resistance: IK03, packaging unit: 1 piece

IP 20 IK 03  

Lamps: LED
 Wt. (kg): 0.4
 GTIN (EAN): 4069025013040



It is mandatory that the assembly instructions must be observed when planning and installing the electrical installation (to be found at www.siteco.com)

Tolerances related to thermal, electrical and photometric data according to IEC 62722

Issued 30.03.2024 - Modifications and errors subject to change - Ensure that you always use the latest version -

Order No.: 51DB18MA91C | GTIN (EAN): 4069025013040

Detailed technical description: Lun21S,refl.wh,Ø68,980lm8mc,0/1wh



Key data

- Product type: downlight
- Product name: Lunis 21 S
- Order No.: 51DB18MA91C

Lighting technology | Lamps | Control gear

Component 1

Lighting technology:

- Light control: lens of PMMA
- Glare reduction: reflector of PC, white
- Beam angle: wide distribution
- Light emission: direct distribution
- UGR viewing direction along longitudinal luminaire axis: ≤ 19
- UGR viewing direction along lateral luminaire axis: ≤ 19

Lamps:

- Lamps: with LED
- Rated luminous flux: 980lm
- Luminous efficacy: 167lm/W
- Colour temperature: 3000/4000/6500K
- Colour rendering index: CRI > 80
- Light colour: 830/840/865
- SDCM (Standard Deviation of Colour Matching): MacAdam ≤ 3 SDCM (initial)
- Rated input power: 5.9W
- Supplement: luminous flux designation at factory setting and 4000K

Operating device:

- Control: ON/OFF

Certificates, Standards

- Protection rating: IP20
- Protection rating (on room side): IP54
- Insulation class: insulation class II (safety insulation)
- Impact resistance: IK03
- Certification, designation: CE

Material, Colour

- housing: diecast aluminium, traffic white (RAL 9016), round
- Colour specification: traffic white (RAL 9016)

Mounting

- Mounting method, mounting location: recessed, in the ceiling
- Ø of ceiling cut-out: 68mm
- Clamping range: 1..40mm
- Arrangement: single arrangement

Electrical connection

- Connection: terminal, 3-pole
- Nominal voltage: 220..240V, 50..60Hz, AC

Dimensions, Weight

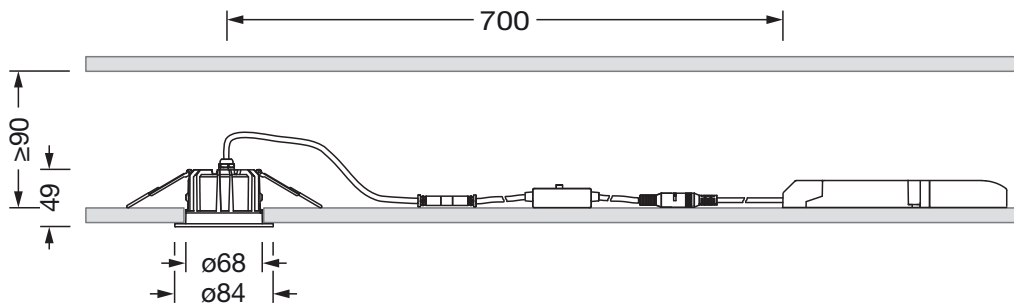
- Diameter: 84mm
- Weight: 0.4kg

Service life

- Rated service life: 50000h (L80/B20) at AT = 25°C

Order No.: 51DB18MA91C | GTIN (EAN): 4069025013040

Dimensions: Lun21S,refl.wh,Ø68,980lm8mc,0/1 wh



It is mandatory that the assembly instructions must be observed when planning and installing the electrical installation (to be found at www.siteco.com)

Tolerances related to thermal, electrical and photometric data according to IEC 62722

Issued 30.03.2024 - Modifications and errors subject to change - Ensure that you always use the latest version -