

**Order No.:** 51DB15MA91C | **GTIN (EAN):** 4069025013408

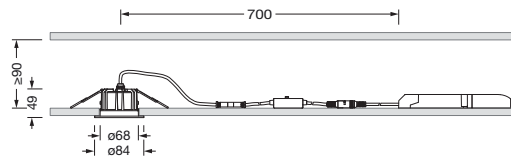
**Product description:** Lun21S,refl.al,hi.sp,Ø68,990lm8mc,0/1wh



Lunis 21, S, downlight, light control with lens, of PMMA, anti glare with reflector, of PC, highly specular, light emission: direct distribution, LED rated luminous flux: 990lm, light colour: 830/840/865, with terminal, 3-pole, mains connection: 220..240V, AC, 50..60Hz, housing, round, of diecast aluminium, traffic white (RAL 9016), diameter: 84mm, clamping range: 1..40mm, protection rating (complete): IP20, protection rating (on room side): IP54, insulation class (complete): insulation class II (safety insulation), certification: CE, impact resistance: IK03, packaging unit: 1 piece

IP 20 IK 03 

Lamps:	LED
Wt. (kg):	0.4
GTIN (EAN):	4069025013408



Order No.: 51DB15MA91C | GTIN (EAN): 4069025013408

Detailed technical description: Lun21S,refl.al,hi.sp,Ø68,990lm8mc,0/1wh



#### Key data

- Product type: downlight
- Product name: Lunis 21 S
- Order No.: 51DB15MA91C

#### Lighting technology | Lamps | Control gear

##### Component 1

#### Lighting technology:

- Light control: lens of PMMA
- Glare reduction: reflector of PC, highly specular
- Beam angle: wide distribution
- Light emission: direct distribution
- UGR viewing direction along longitudinal luminaire axis:  $\leq 19$
- UGR viewing direction along lateral luminaire axis:  $\leq 19$

#### Lamps:

- Lamps: with LED
- Rated luminous flux: 990lm
- Luminous efficacy: 167lm/W
- Colour temperature: 3000/4000/6500K
- Colour rendering index: CRI > 80
- Light colour: 830/840/865
- SDCM (Standard Deviation of Colour Matching): MacAdam  $\leq 3$  SDCM (initial)
- Rated input power: 5.9W
- Supplement: luminous flux designation at factory setting and 4000K

#### Operating device:

- Control: ON/OFF

#### Certificates, Standards

- Protection rating: IP20
- Protection rating (on room side): IP54
- Insulation class: insulation class II (safety insulation)
- Impact resistance: IK03
- Certification, designation: CE

#### Material, Colour

- housing: diecast aluminium, traffic white (RAL 9016), round
- Colour specification: traffic white (RAL 9016)

#### Mounting

- Mounting method, mounting location: recessed, in the ceiling
- Ø of ceiling cut-out: 68mm
- Clamping range: 1..40mm
- Arrangement: single arrangement

#### Electrical connection

- Connection: terminal, 3-pole
- Nominal voltage: 220..240V, 50..60Hz, AC

#### Dimensions, Weight

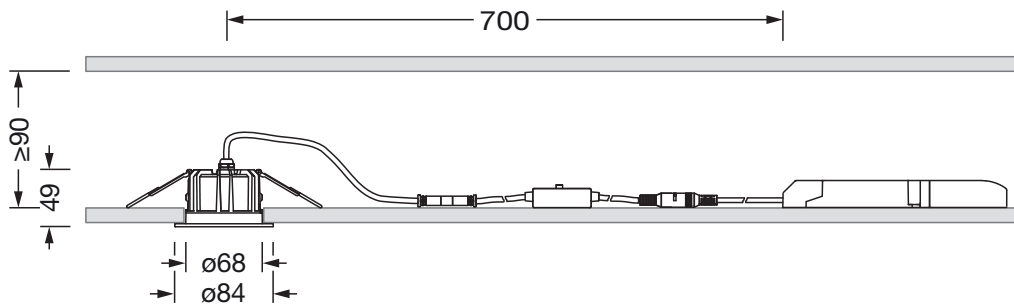
- Diameter: 84mm
- Weight: 0.4kg

#### Service life

- Rated service life: 50000h (L80/B20) at AT = 25°C

Order No.: 51DB15MA91C | GTIN (EAN): 4069025013408

Dimensions: Lun21S,refl.al,hi.sp,Ø68,990lm8mc,0/1wh



It is mandatory that the assembly instructions must be observed when planning and installing the electrical installation (to be found at [www.siteco.com](http://www.siteco.com))

Tolerances related to thermal, electrical and photometric data according to IEC 62722

Issued 30.03.2024 - Modifications and errors subject to change - Ensure that you always use the latest version -