

**Order No.:** 51DB15MC91C | **GTIN (EAN):** 4058352047194

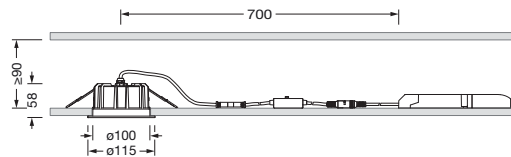
**Product description:** Lun21M,refl.al,hi.sp,Ø100,1860lm8mc,MLwh



Lunis 21, M, downlight, light control with lens, of PMMA, anti glare with reflector, of PC, highly specular, light emission: direct distribution, LED rated luminous flux: 1.860lm, light colour: 830/840/865, with terminal, 3-pole, mains connection: 220..240V, AC/DC, 0/50..60Hz, housing, round, of diecast aluminium, traffic white (RAL 9016), diameter: 115mm, clamping range: 1..40mm, protection rating (complete): IP20, protection rating (on room side): IP54, insulation class (complete): insulation class II (safety insulation), certification: CE, impact resistance: IK03, packaging unit: 1 piece

IP 20 IK 03   

Lamps: LED  
 Wt. (kg): 0.5  
 GTIN (EAN): 4058352047194



It is mandatory that the assembly instructions must be observed when planning and installing the electrical installation (to be found at [www.siteco.com](http://www.siteco.com))

Tolerances related to thermal, electrical and photometric data according to IEC 62722

Issued 30.03.2024 - Modifications and errors subject to change - Ensure that you always use the latest version -

Order No.: 51DB15MC91C | GTIN (EAN): 4058352047194

Detailed technical description: Lun21M,refl.al,hi.sp,Ø100,1860lm8mc,MLwh



#### Key data

- Product type: downlight
- Product name: Lunis 21 M
- Order No.: 51DB15MC91C

#### Lighting technology | Lamps | Control gear

##### Component 1

#### Lighting technology:

- Light control: lens of PMMA
- Glare reduction: reflector of PC, highly specular
- Beam angle: wide distribution
- Light emission: direct distribution
- UGR viewing direction along longitudinal luminaire axis:  $\leq 19$
- UGR viewing direction along lateral luminaire axis:  $\leq 19$

#### Lamps:

- Lamps: with LED
- Rated luminous flux: 1860lm
- Luminous efficacy: 176lm/W
- Colour temperature: 3000/4000/6500K
- Colour rendering index: CRI > 80
- Light colour: 830/840/865
- SDCM (Standard Deviation of Colour Matching): MacAdam  $\leq 3$  SDCM (initial)
- Rated input power: 10.6W
- Supplement: UGR  $\leq 19$  with luminous fluxes up to factory setting, luminous flux designation at factory setting and 4000K

#### Operating device:

- Control: ON/OFF Multilumen

#### Certificates, Standards

- Protection rating: IP20
- Protection rating (on room side): IP54
- Insulation class: insulation class II (safety insulation)
- Impact resistance: IK03
- Certification, designation: CE

#### Material, Colour

- housing: diecast aluminium, traffic white (RAL 9016), round
- Colour specification: traffic white (RAL 9016)

#### Mounting

- Mounting method, mounting location: recessed, in the ceiling
- Ø of ceiling cut-out: 100mm
- Clamping range: 1..40mm
- Arrangement: single arrangement

#### Electrical connection

- Connection: terminal, 3-pole
- Nominal voltage: 220..240V, 0/50..60Hz, AC/DC

#### Dimensions, Weight

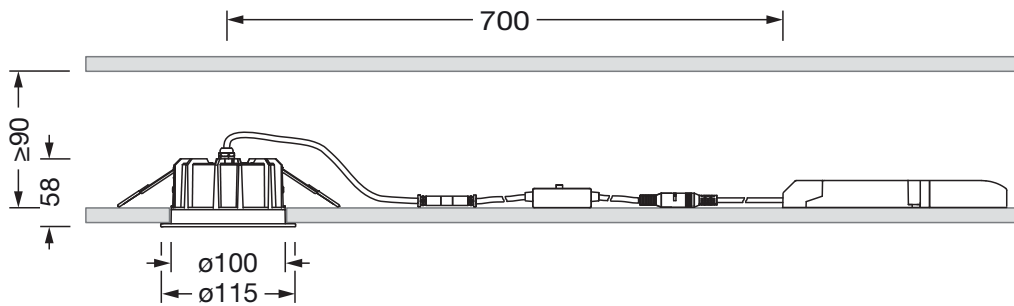
- Diameter: 115mm
- Weight: 0.5kg

#### Service life

- Rated service life: 50000h (L80/B20) at AT = 25°C

Order No.: 51DB15MC91C | GTIN (EAN): 4058352047194

Dimensions: Lun21M, refl.al, hi.sp, Ø100, 1860lm8mc, MLwh



It is mandatory that the assembly instructions must be observed when planning and installing the electrical installation (to be found at [www.siteco.com](http://www.siteco.com))

Tolerances related to thermal, electrical and photometric data according to IEC 62722

Issued 30.03.2024 - Modifications and errors subject to change - Ensure that you always use the latest version -