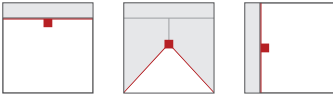


Order No.: 51LN12MDM20A | **GTIN (EAN):** 4058352011508

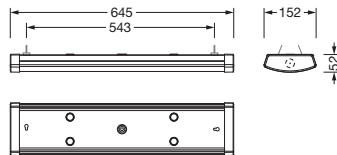
Product description: Silue21,2600lm8mc,ML,L600



Silhouette® 21, office luminaire, primary optical cover: enclosure, of PC, frosted, light emission: direct distribution, primary light characteristic: symmetric, installation type: suspended mounting, surface-mounted, LED, rated luminous flux: 2.600lm, luminous efficacy: 130lm/W, light colour: 830/840/850, colour temperature: 3000/4000/5000K, with terminal, 3-pole, mains connection: 220..240V, AC, 50/60Hz, rated input power: 20W, housing, of sheet steel, white, length: 600mm, width: 152mm, height: 53mm, end cap, of PMMA, white, protection rating (complete): IP44, insulation class (complete): insulation class I (protective earthing), certification: CE, UKCA, protection symbol: D, permissible operating ambient temperature: -20..+40°C, contact your sales advisor before using the luminaires in applications with unclear chemical exposure, large temperature fluctuations or condensation-forming humidity, corresponds to IFS (International Featured Standards) requirements for safety and quality in the food industry, packaging unit: 1 piece

IP 44

Lamps:	LED
Wt. (kg):	1.6
GTIN (EAN):	4058352011508



Order No.: 51LN12MDM20A | **GTIN (EAN):** 4058352011508

Detailed technical description: Silue21,2600lm8mc,ML,L600



Key data

- Product type: office luminaire
- Product name: Siluette® 21
- Order No.: 51LN12MDM20A

Lighting technology | Lamps | Control gear

Component 1

Lighting technology:

- Cover: enclosure, frosted
- Beam angle: wide distribution
- Symmetry: symmetric
- Light emission: direct distribution

Lamps:

- Lamps: with LED
- Rated luminous flux: 2600lm
- Luminous efficacy: 130lm/W
- Colour temperature: 3000/4000/5000K
- Colour rendering index: CRI > 80
- Light colour: 830/840/850
- Rated input power: 20W
- Supplement: luminous flux adjustable on luminaire in four steps (1400/1800/2200/2600lm), connected load according to luminous flux setting (11/14/17/20W)

Operating device:

- Control: ON/OFF Multilumen

Certificates, Standards

- Protection rating: IP44
- Insulation class: insulation class I (protective earthing)
- Protection symbol: D
- Temperature range (operation): - 20..+40°C
- Supplement: corresponds to IFS (International Featured Standards) requirements for safety and quality in the food industry, contact your sales advisor before using the luminaires in applications with unclear chemical exposure, large temperature fluctuations or condensation-forming humidity
- Certification, designation: CE, UKCA

Material, Colour

- housing: sheet steel, white
- Colour specification: white
- end cap: PMMA, white
- Quantity: 2 piece
- Colour specification: white
- Cover: enclosure of PC

Mounting

- Mounting method, mounting location: suspended mounting, surface-mounted, to wire, to the ceiling, to the wall
- Arrangement: single arrangement
- Supplement: only suitable for indoor use

Electrical connection

- Connection: terminal, 3-pole
- Nominal voltage: 220..240V, 50/60Hz, AC

Dimensions, Weight

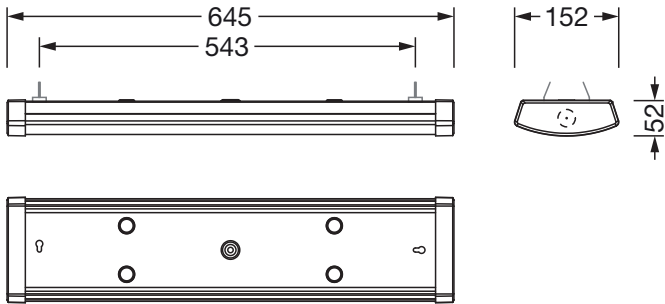
- Length: 600mm
- Width: 152mm
- Height: 53mm
- Weight: 1.6kg

Service life

- Rated service life: 100000h (L80/B50) at AT = 25°C

Order No.: 51LN12MDM20A | GTIN (EAN): 4058352011508

Dimensions: Silue21,2600lm8mc,ML,L600



It is mandatory that the assembly instructions must be observed when planning and installing the electrical installation (to be found at www.siteco.com)

Tolerances related to thermal, electrical and photometric data according to IEC 62722

Issued 01.03.2024 - Modifications and errors subject to change - Ensure that you always use the latest version -