

Order No.: 5XA779616W01AB | GTIN (EAN): 4069025142481

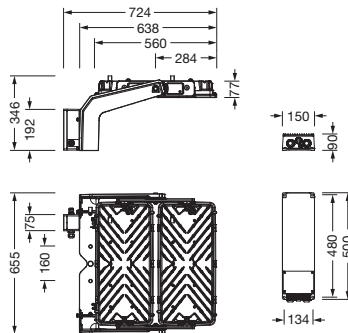
Product description: FL11mxRe,A64B001,102250lm740,DA2,gy



Floodlight FL 11 maxi Remote floodlight; light control with lens of PMMA; cover panel of toughened safety glass, transparent; light distribution: A64B001, asymmetric direct distribution, rated values: 102.250lm | 1.140,4W | 89,7lm/W, colour temperature: 4000K, colour rendering: CRI > 70, light colour: 740, light setting 1 (further light settings possible): 100% | 102.250lm | 1.140,4W | 89,7lm/W | 4.000K dimming curve linear; brightness control: DALI 2; mains connection: 200..400V AC, 50/60Hz, surge voltage resistance: line to ground: 10kV, electrical connection: terminal, 5-pole, max. 2.5mm<sup>2</sup>, solid wire, fine wire, ECG replaceable separately, LED unit replaceable without ESD environment, dimming range 10..100%; floodlight with 2x LED unit of diecast aluminium, grey; length: 638mm / width: 655mm / height: 346mm; mounting bracket, of diecast aluminium, uncoated, junction box, of PA66, black, ECG unit, of diecast aluminium, coated, grey, equipment: Power, protection rating (complete): IP66; insulation class (complete): insulation class I (protective earthing); certification: CE, ENEC, VDE, UKCA; ball protection: ball impact resistance with accessories, impact resistance: IK07; only for outdoor installations in the designated locations, permissible operating ambient temperature: -40..+55°C, permissible storage temperature: -40..+85°C packaging unit: 1 piece



Lamps:	LED
Wt. (kg):	24.6
GTIN (EAN):	4069025142481



It is mandatory that the assembly instructions must be observed when planning and installing the electrical installation (to be found at [www.siteco.com](http://www.siteco.com))

Tolerances related to thermal, electrical and photometric data according to IEC 62722

Issued 24.04.2026 - Modifications and errors subject to change - Ensure that you always use the latest version -

**Order No.:** 5XA779616W01AB | **GTIN (EAN):** 4069025142481

**Detailed technical description:** FL11mxRe,A64B001,102250lm740,DA2,gy



### Key data

- Product type: floodlight
- Product name: Floodlight FL 11 maxi Remote
- Order No.: 5XA779616W01AB

### Lighting technology | Lamps | Control gear

#### Component 1

#### Lighting technology:

- Light control: lens of PMMA
- Cover: cover panel, transparent
- Light distribution: A64B001
- Symmetry: asymmetric distribution
- Light emission: direct distribution

#### Lamps:

- Lamps: with LED
- Rated values: 102250lm | 1140.4W | 89.7lm/W
- Colour temperature: 4000K
- Colour rendering index: CRI > 70
- Light colour: 740
- Supplement: LED service life up to 100,000h L90. Typical operating time: 1000h per year.

#### Factory light settings (LS):

- LS 1: 100% | 102250lm | 1140.4W | 89.7lm/W | 4000K
- further light settings possible

#### Operating device:

- Control: DALI 2
- Equipment: dimming curve linear

### Certificates, Standards

- Protection rating: IP66
- Insulation class: insulation class I (protective earthing)
- Impact resistance: IK07
- Temperature range (operation): -40..+55°C
- Supplement: only for outdoor installations in the designated locations
- Corrosion protection: corrosivity category C3 according to DIN EN ISO 12944; fastening screws made of non-corrosive material, additionally with anti-corrosion coating, tested according to DIN EN ISO 9227 NSS:Jul17 (similar to DIN EN ISO 12944 for C5)
- Certification, designation: CE, ENEC, VDE, UKCA

### Material, Colour

- LED unit: diecast aluminium, grey
- Quantity: 2 piece
- mounting bracket: diecast aluminium, uncoated
- junction box: PA66, black
- ECG unit: diecast aluminium, coated, grey
- Cover: cover panel of toughened safety glass

### Mounting

- Mounting method, mounting location: surface-mounted, to supporting structure, to the ceiling, to the cross arm

### Electrical connection

- Connection: terminal, 5-pole, max. 2.5mm<sup>2</sup>, solid wire, fine wire
- Nominal voltage: 200..400V, 50/60Hz, AC
- Surge voltage resistance: line to ground: 10kV

### Dimensions, Weight

- Length: 638mm
- Width: 655mm
- Height: 346mm
- Weight: 24.6kg
- Supplement: luminaire head with bracket: 17.6kg, ECG unit: 6.8kg, luminaire head with bracket: 17.6kg, ECG unit: 7.0kg

Order No.: 5XA779616W01AB | GTIN (EAN): 4069025142481

Detailed technical description: FL11mxRe,A64B001,102250lm740,DA2,gy



#### Light emission

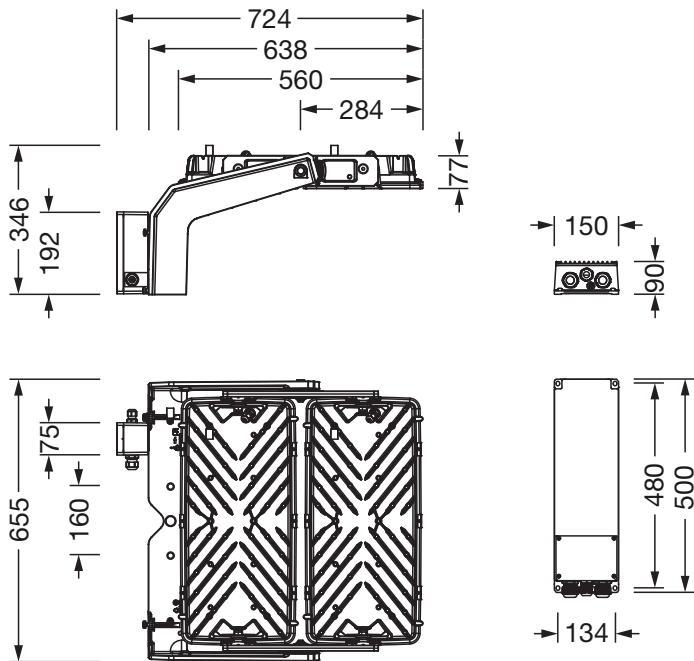
- Light emission: 0%

#### Place of operation

- Suitable for: Austria, Belgium, Czech Republic, Denmark, France, Germany, Hungary, Italy (north), Luxembourg, Netherlands, New Zealand, Poland, Slovakia, Slovenia, Switzerland, United Kingdom

Order No.: 5XA779616W01AB | GTIN (EAN): 4069025142481

Dimensions: FL11mxRe,A64B001,102250lm740,DA2,gy



It is mandatory that the assembly instructions must be observed when planning and installing the electrical installation (to be found at [www.siteco.com](http://www.siteco.com))  
Tolerances related to thermal, electrical and photometric data according to IEC 62722  
Issued 24.04.2026 - Modifications and errors subject to change - Ensure that you always use the latest version -