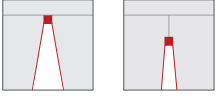


**Order No.:** 51HN11DA4MLA02 | **GTIN (EAN):** 4069025373939

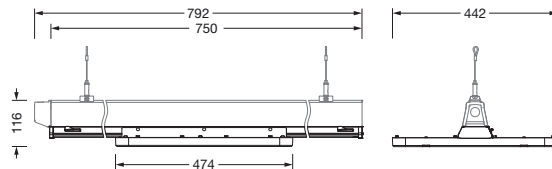
**Product description:** HB11/Lic-md,nrrw,28000lm840,BTm



high bay luminaire Highbay 11 for Licross trunking rail midi; direct symmetric narrow distribution, light control with lens of PMMA; UGR  $\leq 22$  (X = 4H | Y = 8H | S = 0.25H | reflection values 70/50/20); luminous flux: 28.000lm; light colour: 840, colour temperature: 4000K, MacAdam  $\leq 2$  SDCM (initial), colour rendering: CRI > 80; luminous efficacy: 190,3lm/W; rated service life: 100.000h (L95) at AT= 25°C; control: Bluetooth Mesh; for wireless networking: Node luminaire for setting up a local control solution without a higher-level application controller, intelligence completely in the luminaire; no control line such as DALI between the Node multi-sensor luminaires and Nodes is required, wireless integration of other Node luminaires and Node multi-sensor luminaires into the network is possible; number of Node luminaires in the project can be expanded as required, network sizes > 300 Nodes can be realized; can also be connected to lighting or building automation via various gateways upon request; integrated DALI2 ECG provides luminaire data (according to IEC62386, Part 251), energy data (Part 252), and monitoring and analytics data (Part 253) to higher-level systems for further processing; luminaire connection: plug, 5-pole, with phase selection mains connection: 230..240V, AC 50/60Hz; connected load: 147,1W; protection rating (complete): IP64; insulation class (complete): insulation class I (protective earthing); protection symbol: D; impact resistance: IK06; certification: CE, UKCA; internal wiring halogen-free; luminaire LABS conformity tested according to VDMA 24364:2018-05; Suitable for use in the food industry according to the specifications of IFS-Food, HACCP and/or BRC; housing frame of high-performance plastic PA6, matt traffic white (RAL 9016); cover of PMMA; fixing on rail side of steel, galvanised, white; blank cover of PC/ABS, traffic white (RAL 9016); dimension (LxWxH): 750 x 442 x 72mm; permissible operating ambient temperature: -20..+35°C (reducing of maximum allowable ambient temperature of 5°C with ceiling mounting); packaging unit: 1 piece



Lamps: LED  
 Wt. (kg): 3.5  
 GTIN (EAN): 4069025373939



**Order No.:** 51HN11DA4MLA02 | **GTIN (EAN):** 4069025373939

**Detailed technical description:** HB11/Lic-md,nrrw,28000lm840,BTm



#### Key data

- System family: SITECO Connect 11H Wireless
- Product type: high bay luminaire
- Product name: Highbay 11 for Licross trunking rail midi
- Order No.: 51HN11DA4MLA02

#### Lighting technology | Lamps | Control gear

##### Component 1

##### Lighting technology:

- Light control: lens of PMMA
- Cover: cover
- Beam angle: narrow distribution
- Symmetry: symmetric
- Light emission: direct distribution
- UGR viewing direction along longitudinal luminaire axis:  $\leq 22$
- UGR viewing direction along lateral luminaire axis:  $\leq 22$

##### Lamps:

- Lamps: with LED
- Rated luminous flux: 28000lm
- Luminous efficacy: 190lm/W
- Colour temperature: 4000K
- Colour rendering index: CRI > 80
- Light colour: 840
- SDCM (Standard Deviation of Colour Matching): MacAdam  $\leq 2$  SDCM (initial)
- Rated input power: 147.1W
- Supplement: internal wiring halogen-free

##### Operating device:

- Control: Bluetooth Mesh, dimmable

##### Certificates, Standards

- Protection rating: IP64
- Insulation class: insulation class I (protective earthing)
- Impact resistance: IK06
- Protection symbol: D
- Temperature range (operation): -20...+35°C
- Supplement: LABS conformity tested according to VDMA 24364:2018-05, Suitable for use in the food industry according to the specifications of IFS-Food, HACCP and/or BRC
- Certification, designation: CE, UKCA

#### Material, Colour

- housing frame: high-performance plastic PA6, matt traffic white (RAL 9016)
- fixing on rail side: steel, galvanised, white
- blank cover: PC/ABS, traffic white (RAL 9016)
- Cover: cover of PMMA

#### Mounting

- Arrangement: continuous row arrangement

#### Electrical connection

- Connection: plug, 5-pole, with phase selection
- Nominal voltage: 230...240V, 50/60Hz, AC

#### Dimensions, Weight

- Length: 750mm
- Width: 442mm
- Height: 72mm
- Weight: 3.5kg

#### Service life

- Rated service life: 100000h (L95) at AT = 25°C, 100000h (L90) at AT = ta max

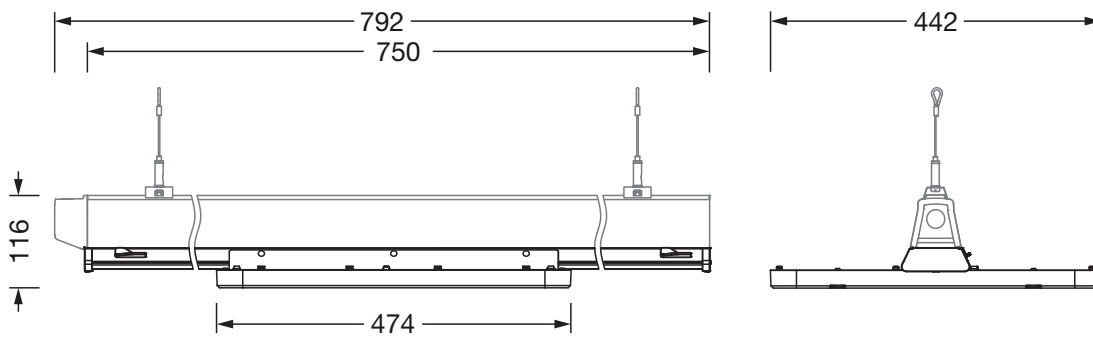
#### Outputs

##### Bluetooth Node (2.4GHz)

- Feature: wireless networking

Order No.: 51HN11DA4MLA02 | GTIN (EAN): 4069025373939

Dimensions: HB11/Lic-md,nrrw,28000lm840,BTm



It is mandatory that the assembly instructions must be observed when planning and installing the electrical installation (to be found at [www.siteco.com](http://www.siteco.com))  
Tolerances related to thermal, electrical and photometric data according to IEC 62722  
Issued 20.03.2026 - Modifications and errors subject to change - Ensure that you always use the latest version -