

**Order No.:** 51DC112MDB400A | **GTIN (EAN):** 4069025359087

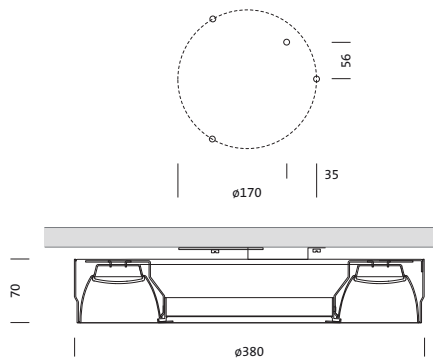
**Product description:** Lun11R,surf,wh3830lm930,ML



Lunis 11 R, downlight, light control with reflector, highly specular, light emission: direct distribution, LED rated luminous flux: 3.830lm, light colour: 930, with terminal, 3+2-pole, max. 2.5mm<sup>2</sup>, mains connection: 230V, AC, 50/60Hz, luminaire housing, of aluminium, white, diameter: 380mm, protection rating (complete): IP20, insulation class (complete): insulation class I (protective earthing), certification: CE, standard: EN 50419, packaging unit: 1 piece

IP 20  

Lamps: LED  
 Wt. (kg): 2.0  
 GTIN (EAN): 4069025359087



It is mandatory that the assembly instructions must be observed when planning and installing the electrical installation (to be found at [www.siteco.com](http://www.siteco.com))

Tolerances related to thermal, electrical and photometric data according to IEC 62722

Issued 13.09.2025 - Modifications and errors subject to change - Ensure that you always use the latest version -

**Order No.:** 51DC112MDB400A | **GTIN (EAN):** 4069025359087

**Detailed technical description:** Lun11R,surf,wh3830lm930,ML



#### Key data

- Product type: downlight
- Product name: Lunis 11 R
- Order No.: 51DC112MDB400A

#### Lighting technology | Lamps | Control gear

##### Component 1

#### Lighting technology:

- Light control: reflector, highly specular
- Beam angle: wide distribution
- Symmetry: symmetric
- Light emission: direct distribution

#### Lamps:

- Lamps: with LED
- Rated luminous flux: 3830lm
- Luminous efficacy: 146lm/W
- Colour temperature: 3000K
- Colour rendering index: CRI > 90
- Light colour: 930
- Rated input power: 26.2W

#### Operating device:

- Control: ON/OFF Multilumen

#### Certificates, Standards

- Protection rating: IP20
- Insulation class: insulation class I (protective earthing)
- Standard: EN 50419
- Certification, designation: CE

#### Material, Colour

- luminaire housing: aluminium, white
- Quantity: 1 piece
- Colour specification: white

#### Mounting

- Mounting method, mounting location: surface-mounted, to the ceiling

#### Electrical connection

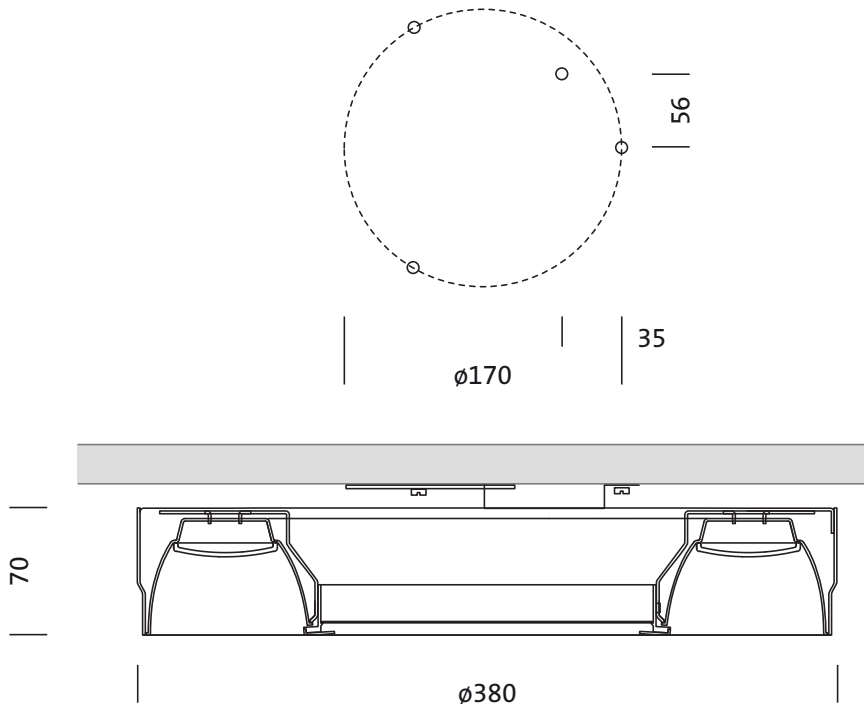
- Connection: terminal, 3+2-pole, max. 2.5mm<sup>2</sup>
- Nominal voltage: 230V, 230..240V, 50/60Hz, AC

#### Dimensions, Weight

- Diameter: 380mm
- Weight: 2.0kg

Order No.: 51DC112MDB400A | GTIN (EAN): 4069025359087

Dimensions: Lun11R,surf,wh3830lm930,ML



It is mandatory that the assembly instructions must be observed when planning and installing the electrical installation (to be found at [www.siteco.com](http://www.siteco.com))  
Tolerances related to thermal, electrical and photometric data according to IEC 62722  
Issued 13.09.2025 - Modifications and errors subject to change - Ensure that you always use the latest version -