

**Order No.:** 51DC312DDB400A | **GTIN (EAN):** 4069025359209

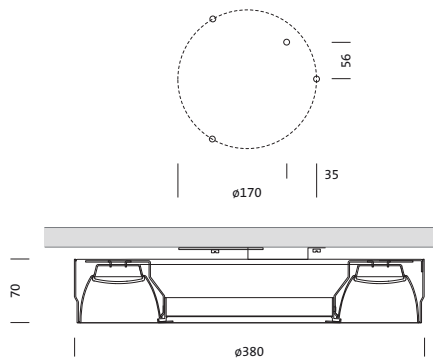
**Product description:** Lun11R,surf,bk4800lm930,DA2



Lunis 11 R, downlight, light control with reflector, highly specular, light emission: direct distribution, rated luminous flux: 4.800lm, light colour: 930, with terminal, 3+2-pole, max. 2.5mm<sup>2</sup>, mains connection: 230V, AC, 50/60Hz, black, diameter: 380mm, protection rating (complete): IP20, insulation class (complete): insulation class I (protective earthing), certification: CE, standard: EN 50419, packaging unit: 1 piece

IP 20  

Wt. (kg): 2.0  
GTIN (EAN): 4069025359209



It is mandatory that the assembly instructions must be observed when planning and installing the electrical installation (to be found at [www.siteco.com](http://www.siteco.com))

Tolerances related to thermal, electrical and photometric data according to IEC 62722

Issued 04.07.2025 - Modifications and errors subject to change - Ensure that you always use the latest version -

Order No.: 51DC312DDB400A | **GTIN (EAN):** 4069025359209

**Detailed technical description:** Lun11R,surf,bk4800lm930,DA2



#### Key data

- Product type: downlight
- Product name: Lunis 11 R
- Order No.: 51DC312DDB400A

#### Lighting technology | Lamps | Control gear

##### Component 1

#### Lighting technology:

- Light control: reflector, highly specular
- Beam angle: wide distribution
- Symmetry: symmetric
- Light emission: direct distribution

#### Lamps:

- Rated luminous flux: 4800lm
- Luminous efficacy: 142lm/W
- Colour temperature: 3000K
- Colour rendering index: CRI > 90
- Light colour: 930
- Rated input power: 33.9W

#### Operating device:

- Control: DALI 2

#### Certificates, Standards

- Protection rating: IP20
- Insulation class: insulation class I (protective earthing)
- Standard: EN 50419
- Certification, designation: CE

#### Material, Colour

- Quantity: 1 piece
- Colour specification: black

#### Mounting

- Mounting method, mounting location: surface-mounted, to the ceiling

#### Electrical connection

- Connection: terminal, 3+2-pole, max. 2.5mm<sup>2</sup>
- Nominal voltage: 230V, 230..240V, 50/60Hz, AC

#### Dimensions, Weight

- Diameter: 380mm
- Weight: 2.0kg

Order No.: 51DC312DDB400A | GTIN (EAN): 4069025359209

Dimensions: Lun11R,surf,bk4800lm930,DA2

