

**Order No.:** 51DC612MDD400A | **GTIN (EAN):** 4069025359506

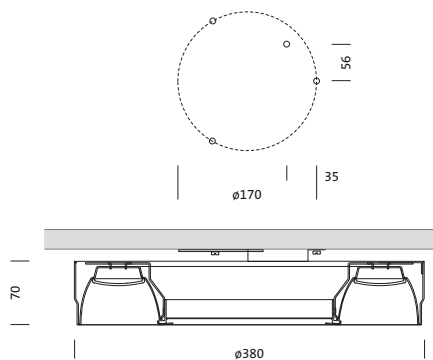
**Product description:** Lun11R,surf,sr3790lm940,ML



Lunis 11 R, downlight, light control with reflector, highly specular, light emission: direct distribution, LED rated luminous flux: 3.790lm, light colour: 940, with terminal, 3+2-pole, max. 2.5mm<sup>2</sup>, mains connection: 220..240V, AC, 50/60Hz, silver, diameter: 380mm, protection rating (complete): IP20, insulation class (complete): insulation class I (protective earthing), certification: CE, standard: EN 50419, packaging unit: 1 piece

IP 20

Lamps:	LED
Wt. (kg):	2.0
GTIN (EAN):	4069025359506



It is mandatory that the assembly instructions must be observed when planning and installing the electrical installation (to be found at [www.siteco.com](http://www.siteco.com))

Tolerances related to thermal, electrical and photometric data according to IEC 62722

Issued 04.07.2025 - Modifications and errors subject to change - Ensure that you always use the latest version -

Order No.: 51DC612MDD400A | GTIN (EAN): 4069025359506

Detailed technical description: Lun11R,surf,sr3790lm940,ML



#### Key data

- Product type: downlight
- Product name: Lunis 11 R
- Order No.: 51DC612MDD400A

#### Lighting technology | Lamps | Control gear

##### Component 1

#### Lighting technology:

- Light control: reflector, highly specular
- Beam angle: wide distribution
- Symmetry: symmetric
- Light emission: direct distribution

#### Lamps:

- Lamps: with LED
- Rated luminous flux: 3790lm
- Luminous efficacy: 145lm/W
- Colour temperature: 4000K
- Colour rendering index: CRI > 90
- Light colour: 940
- Rated input power: 26.2W

#### Operating device:

- Control: ON/OFF Multilumen

#### Certificates, Standards

- Protection rating: IP20
- Insulation class: insulation class I (protective earthing)
- Standard: EN 50419
- Certification, designation: CE

#### Material, Colour

- Quantity: 1 piece
- Colour specification: silver

#### Mounting

- Mounting method, mounting location: surface-mounted, to the ceiling

#### Electrical connection

- Connection: terminal, 3+2-pole, max. 2.5mm<sup>2</sup>
- Nominal voltage: 220..240V, 230..240V, 50/60Hz, AC

#### Dimensions, Weight

- Diameter: 380mm
- Weight: 2.0kg

Order No.: 51DC612MDD400A | GTIN (EAN): 4069025359506

Dimensions: Lun11R,surf,sr3790lm940,ML

