

Order No.: 5XH1D3BN08EA | GTIN (EAN): 4069025511379

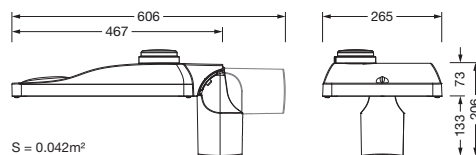
Product description: SL31mc,S100003,5280lm730,D4i,N7a



Streetlight SL 31 micro, mast luminaire, primary light control with lens, of PMMA, primary optical cover: cover, of toughened safety glass, transparent, light distribution: S100003, primary beam angle: wide distribution, light emission: direct distribution, primary light characteristic: asymmetric, installation type: post-top, side-entry, lamps: LED, rated values: 5.280lm | 35,3W | 149,6lm/W (begin service life); end service life: 5.280lm | 36,8W; at 50% lumin. flux: 2.645lm | 16,3W | 162,3lm/W, colour temperature: 3000K, colour rendering: CRI > 70, light colour: 730, light setting 1 (further light settings possible): 100% | 5.280lm | 35,3W | 149,6lm/W | 3.000K (begin service life); end service life: 36,8W, control gear: D4i, control: pre-setting: linear dimming characteristic, flexible luminous flux parameterisation, time-dependent luminous flux control, constant luminous flux control, intelligent temperature release in ECG and LED module, overheat protection, mains connection: 220..240V, AC, 50/60Hz, surge voltage resistance: surge voltage resistance: 10kV (common mode); 6kV (differential mode), connection cable: pre-assembled, cable length: 6,5m, wiring characteristics: H07RN-F, 3G 1,5mm², configuration: L/N/PE, luminaire housing, of diecast aluminium, powder-coated, SITECO metallic grey (DB 702S), corrosivity category C5 high according to DIN EN ISO 12944, no sealing on luminaire upper side, inclination: -15°..+20° (post-top) | -20°..+20° (side-entry), adjustable in 5° steps, multi-level sealing system, sealing non-destructively replaceable, mast flange for spigot size: 60/48mm (side-entry/post-top): 5XH10108XM2, 76/32mm (side-entry/post-top): 5XH10108XM3, mast flange, of diecast aluminium, coated, SITECO metallic grey (DB 702S), Smart Interface above: NEMA (7pin), protection rating (complete): IP66, insulation class (complete): insulation class I (protective earthing), certification: CE, ENEC, ENEC+, VDE, UKCA, impact resistance: IK10, permissible operating ambient temperature for outdoor applications: -40..+50°C, standard-compliant lighting for roads and squares, packaging unit: 1 piece



Lamps: LED
 Wt. (kg): 5.7
 GTIN (EAN): 4069025511379



It is mandatory that the assembly instructions must be observed when planning and installing the electrical installation (to be found at www.siteco.com)

Tolerances related to thermal, electrical and photometric data according to IEC 62722

Issued 27.03.2026 - Modifications and errors subject to change - Ensure that you always use the latest version -

Order No.: 5XH1D3BN08EA | GTIN (EAN): 4069025511379

Detailed technical description: SL31mc,S100003,5280lm730,D4i,N7a



Key data

- Product type: mast luminaire
- Product name: Streetlight SL 31 micro
- Order No.: 5XH1D3BN08EA

Lighting technology | Lamps | Control gear

Component 1

Lighting technology:

- Light control: lens of PMMA
- Cover: cover, transparent
- Light distribution: S100003
- Beam angle: wide distribution
- Symmetry: asymmetric distribution
- Light emission: direct distribution

Lamps:

- Lamps: with LED
- Rated values: 5280lm | 35.3W | 149.6lm/W (begin service life); end service life: 5280lm | 36.8W; at 50% lumin. flux: 2645lm | 16.3W | 162.3lm/W
- Colour temperature: 3000K
- Colour rendering index: CRI > 70
- Light colour: 730

Factory light settings (LS):

- begin service life:
LS 1: 100% | 5280lm | 35.3W | 149.6lm/W | 3000K
- end service life:
LS 1: 36.8W
- further light settings possible

Operating device:

- Control: D4i
- Smart Interface above: NEMA (7pin)
- Equipment: overheat protection, constant luminous flux control, time-dependent luminous flux control, flexible luminous flux parameterisation, intelligent temperature release in ECG and LED module, pre-setting: linear dimming characteristic

Certificates, Standards

- Protection rating: IP66
- Insulation class: insulation class I (protective earthing)
- Impact resistance: IK10
- Temperature range (operation): -40..+50°C
- Supplement: standard-compliant lighting for roads and squares
- Corrosion protection: corrosivity category C5 high according to DIN EN ISO 12944
- Certification, designation: CE, ENEC, ENEC+, VDE, UKCA

Material, Colour

- luminaire housing: diecast aluminium, powder-coated, SITECO metallic grey (DB 702S), sealing non-destructively replaceable, multi-level sealing system, inclination: -15°..+20° (post-top) | -20°..+20° (side-entry), adjustable in 5° steps, no sealing on luminaire upper side
- mast flange: diecast aluminium, coated, SITECO metallic grey (DB 702S), mast flange included unmounted
- Cover: cover of toughened safety glass

Mounting

- Mounting method, mounting location: side-entry, post-top, on mast

Electrical connection

- Connection cable: pre-assembled, L= 6.5m, H07RN-F, 3G 1.5mm², L/N/PE
- Nominal voltage: 220..240V, 50/60Hz, AC
- Surge voltage resistance: surge voltage resistance: 10kV (common mode); 6kV (differential mode)

Dimensions, Weight

- Weight: 5.7kg
- Mast spigot: mast flange for spigot size: 60/48mm (side-entry/post-top): 5XH10108XM2, 76/32mm (side-entry/post-top): 5XH10108XM3

Light emission

- Light emission: 0% at 0° inclination

Order No.: 5XH1D3BN08EA | GTIN (EAN): 4069025511379

Detailed technical description: SL31mc,S100003,5280lm730,D4i,N7a

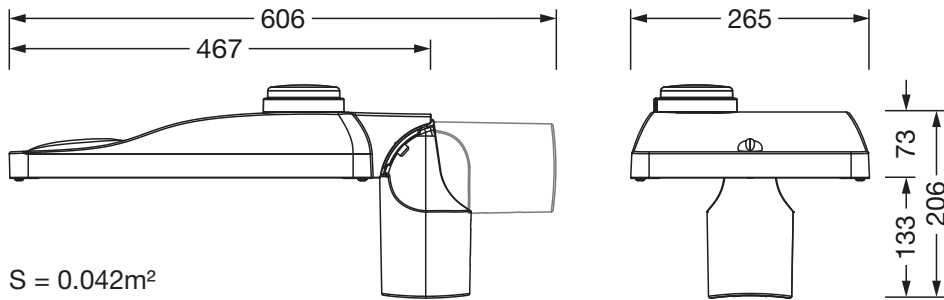


Service life

- Rated service life: 100000h (L96/B10)
at AT = 25°C

Order No.: 5XH1D3BN08EA | GTIN (EAN): 4069025511379

Dimensions: SL31mc,S100003,5280lm730,D4i,N7a



S = 0.042m²

It is mandatory that the assembly instructions must be observed when planning and installing the electrical installation (to be found at www.siteco.com)

Tolerances related to thermal, electrical and photometric data according to IEC 62722

Issued 27.03.2026 - Modifications and errors subject to change - Ensure that you always use the latest version -