

Order No.: 5LZ980201A | GTIN (EAN): 4069025765635

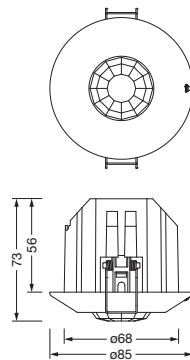
Product description: SConWi,multisens,wirel



SITECO Connect Wirelessmulti-sensor, sensor, slave, local control - self-sufficient standalone sensors, sensor technology: 1 PIR movement sensor, daylight sensor, dimmable, installation type: recessed, installation location: in the ceiling, of plastic, voltage: 230V, 1 x PIR movement sensor, 1 x light sensor, 1 x Bluetooth interface, protection rating (complete): IP20, insulation class (complete): insulation class II (safety insulation), certification: CE, packaging unit: 1 piece

IP 20  

Wt. (kg): 0.1
GTIN (EAN): 4069025765635



It is mandatory that the assembly instructions must be observed when planning and installing the electrical installation (to be found at www.siteco.com)

Tolerances related to thermal, electrical and photometric data according to IEC 62722

Issued 22.05.2026 - Modifications and errors subject to change - Ensure that you always use the latest version -

Order No.: 5LZ980201A | GTIN (EAN): 4069025765635

Detailed technical description: SConWi,multisens,wirel

Key data

- System family: SITECO Connect Wireless
- Product type: sensor
- Product name: SITECO Connect Wireless
- Order No.: 5LZ980201A

Outputs

1x Bluetooth interface

- Feature: wireless networking

Lighting technology | Lamps | Control gear

Component 1

Operating device:

- Control: Casambi, dimmable

Certificates, Standards

- Protection rating: IP20
- Insulation class: insulation class II (safety insulation)
- Temperature range (operation): 0..+50°C
- Certification, designation: CE

Material, Colour

- housing: plastic, white
- housing: plastic, white

Mounting

- Mounting method, mounting location: recessed, in the ceiling
- Mounting height: 2.5..4m
- Supplement: only suitable for use in indoor areas

Electrical connection

- Nominal voltage: 230V, 50/60Hz

Dimensions, Weight

- Height: 73mm
- Weight: 0.1kg

Inputs

1x PIR movement sensor

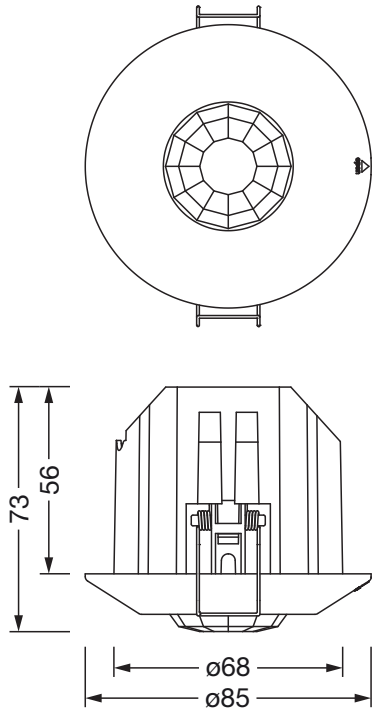
- Connection: PIR sensor (passive-infrared)
- Detection angle: 360°
- Detection range: at mounting height (Mh) = 3m: max. ø8m
- Feature: circular detection area

1x light sensor

- Illuminance: 1..2000lx (at sensor)

Order No.: 5LZ980201A | GTIN (EAN): 4069025765635

Dimensions: SConWi,multisens,wirel



It is mandatory that the assembly instructions must be observed when planning and installing the electrical installation (to be found at www.siteco.com)

Tolerances related to thermal, electrical and photometric data according to IEC 62722

Issued 22.05.2026 - Modifications and errors subject to change - Ensure that you always use the latest version -