

Order No.: 5LZ980200A | GTIN (EAN): 4069025765611

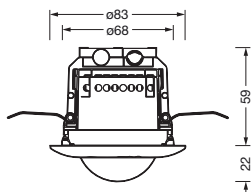
Product description: SConWi,multisens,wirel



SITECO Connect Wirelessmulti-sensor, sensor, master, local control - self-sufficient standalone sensors, sensor technology: 1 PIR movement sensor, daylight sensor, dimmable, installation type: recessed, installation location: in the ceiling, of plastic, voltage: 230V, 1 x PIR movement sensor, 2 x light sensor, 1 x DALI, 1 x Bluetooth interface, protection rating (complete): IP20, insulation class (complete): insulation class II (safety insulation), certification: CE, UKCA, packaging unit: 1 piece

IP 20  

Wt. (kg): 0.1  
GTIN (EAN): 4069025765611



It is mandatory that the assembly instructions must be observed when planning and installing the electrical installation (to be found at [www.siteco.com](http://www.siteco.com))

Tolerances related to thermal, electrical and photometric data according to IEC 62722

Issued 22.05.2026 - Modifications and errors subject to change - Ensure that you always use the latest version -

Order No.: 5LZ980200A | GTIN (EAN): 4069025765611

Detailed technical description: SConWi,multisens,wirel

#### Key data

- System family: SITECO Connect Wireless
- Product type: sensor
- Product name: SITECO Connect Wireless
- Order No.: 5LZ980200A

#### Lighting technology | Lamps | Control gear

#### Component 1

##### Operating device:

- Control: Casambi, dimmable

##### Certificates, Standards

- Protection rating: IP20
- Insulation class: insulation class II (safety insulation)
- Temperature range (operation): -5..+45°C
- Certification, designation: CE, UKCA

##### Material, Colour

- housing: plastic, white
- housing: plastic, white

##### Mounting

- Mounting method, mounting location: recessed, in the ceiling
- Mounting height: 2.5..5m
- Supplement: only suitable for use in indoor areas

##### Electrical connection

- Nominal voltage: 230V, 50/60Hz

##### Dimensions, Weight

- Height: 86mm
- Weight: 0.1kg

##### Inputs

#### 1x PIR movement sensor

- Connection: PIR sensor (passive-infrared)
- Detection angle: 360°
- Detection range: radial max.  $\varnothing$ 6m; tangential max.  $\varnothing$ 10m
- Detection range: max.  $\varnothing$ 4m
- Feature: circular detection area

#### 2x light sensor

- Illuminance: 10..4000lx (at sensor)

##### Outputs

#### 1x DALI

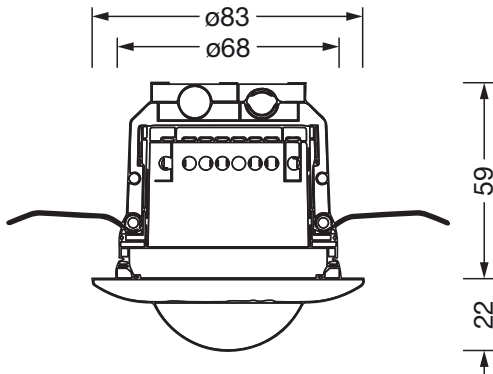
- System current: max. 80mA
- Feature: DALI, master function, broadcast addressing, max. 40 DALI ECGs

#### 1x Bluetooth interface

- Feature: wireless networking

Order No.: 5LZ980200A | GTIN (EAN): 4069025765611

Dimensions: SConWi,multisens,wirel



It is mandatory that the assembly instructions must be observed when planning and installing the electrical installation (to be found at [www.siteco.com](http://www.siteco.com))

Tolerances related to thermal, electrical and photometric data according to IEC 62722

Issued 22.05.2026 - Modifications and errors subject to change - Ensure that you always use the latest version -