

Order No.: 5MN238DLE003 | GTIN (EAN): 4050737963846

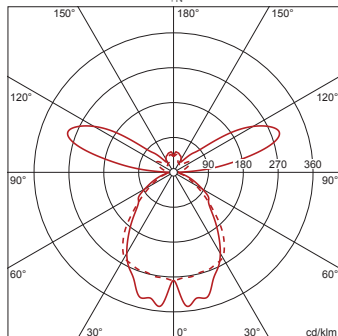
Product description: Vega,7300lm830,DALI



Vega®, office luminaire, primary light control with prismatic reflector, of PMMA, transparent prismatic structure, CAT 2 ($L \leq 1500 \text{cd/m}^2$), light emission: direct/indirect distribution, primary light characteristic: symmetric, installation type: suspended mounting, surface-mounted, LED rated luminous flux: 7.300 lm, light colour: 830, colour temperature: 3000K, control gear: ECG, with terminal, 3+2-pole, max. 2.5mm², mains connection: 230V, AC, 50Hz, connection cable inclusive, cable length: 1,5 m, rated input power: 62W, luminaire housing, rectangular, rounded, of aluminium section, anodised, metallic grey (RAL 9006), length: 1.250 mm, width: 350 mm, height: 43mm, luminaire housing, lower part, of aluminium section, anodised, metallic grey (RAL 9006), of PC, grey, protection rating (complete): IP20, insulation class (complete): insulation class I (protective earthing), certification: CE, standard: EN 50419, packaging unit: 1 piece

4050737963846
5MN238DLE003

LED 3000K / CRI ≥ 80 Φ_N 7300 lm



IP 20

Lamps: LED
Wt. (kg): 6.5
GTIN (EAN): 4050737963846

siteco 5MN238DLE003

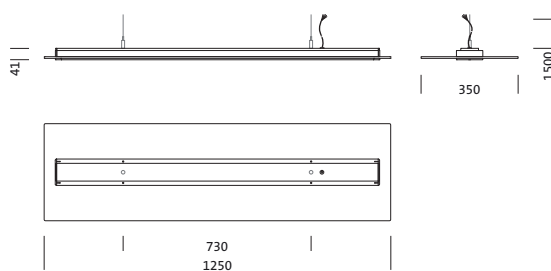
The luminaire contains built-in LED lamps

A++
A+
A
B
C
D
E

} LED

The LED-lamps cannot be changed in the luminaire

874/2012



Order No.: 5MN238DLE003 | GTIN (EAN): 4050737963846

Detailed technical description: Vega,7300lm830,DALI



Key data

- Product type: office luminaire
- Product name: Vega®
- Order No.: 5MN238DLE003

Lighting technology | Lamps | Control gear

Component 1

Lighting technology:

- Light control: prismatic reflector of PMMA, transparent prismatic structure
- Symmetry: symmetric distribution
- Light emission: direct/indirect distribution
- UGR viewing direction along longitudinal luminaire axis: ≤ 16
- UGR viewing direction along lateral luminaire axis: ≤ 16

Lamps:

- Lamps: with LED
- Rated luminous flux: 7300lm
- Luminous efficacy: 118lm/W
- Colour temperature: 3000K
- Colour rendering index: CRI > 80
- Light colour: 830
- SDCM (Standard Deviation of Colour Matching): MacAdam ≤ 3 SDCM (initial)
- Rated input power: 62W

Operating device:

- Control gear: ECG
- Control: DALI

Certificates, Standards

- Protection rating: IP20
- Insulation class: insulation class I (protective earthing)
- Standard: EN 50419
- Certification, designation: CE

Material, Colour

- luminaire housing: aluminium section, anodised, metallic grey (RAL 9006), rectangular, rounded
- Colour specification: metallic grey (RAL 9006)
- luminaire housing, lower part: aluminium section, anodised, metallic grey (RAL 9006)
- Colour specification: metallic grey (RAL 9006)
- Colour specification: grey

Mounting

- Mounting method, mounting location: suspended mounting, surface-mounted
- Arrangement: single arrangement

Electrical connection

- Connection: terminal, 3+2-pole, max. 2.5mm²
- Nominal voltage: 230V, 220..240V, 50Hz, AC
- Connection cable: inclusive, L= 1.5m

Dimensions, Weight

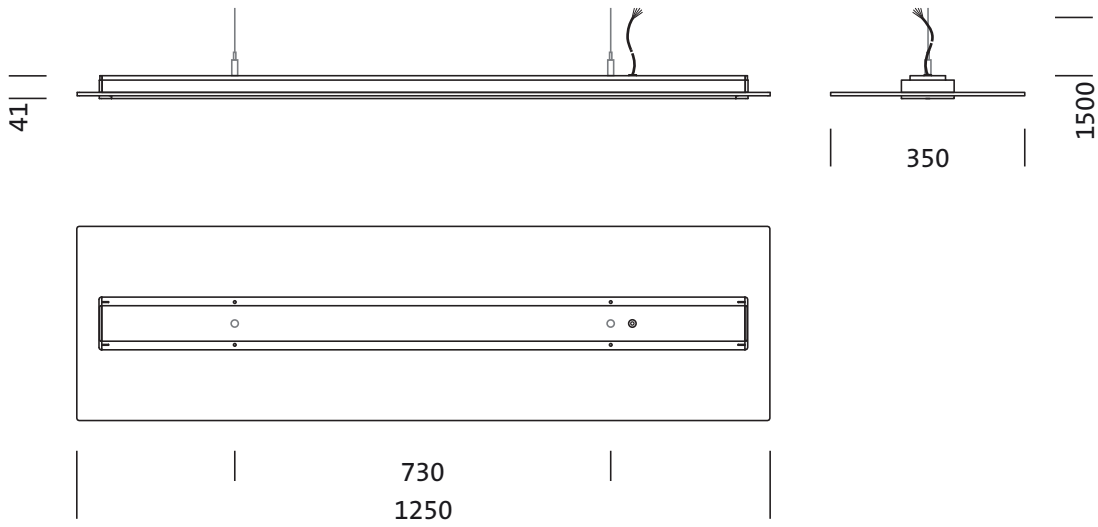
- Length: 1250mm
- Width: 350mm
- Height: 43mm
- Weight: 6.5kg

Service life

- Rated service life: 50000h (L80/B50) at AT = 25°C

Order No.: 5MN238DLE003 | GTIN (EAN): 4050737963846

Dimensions: Vega,7300lm830,DALI



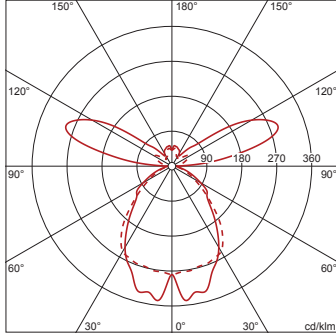
Order No.: 5MN238DLE003 | GTIN (EAN): 4050737963846

Planning data: Vega,7300lm830,DALI

**5MN238DLE003: 1x LED
3000K / CRI ≥ 80**

4050737963846
5MN238DLE003

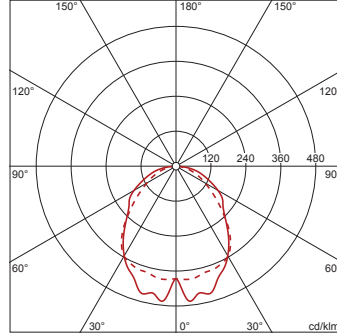
LED 3000K / CRI ≥ 80 ϕ_N 7300 lm



**5MN238DLE003 + 5MN91401:
1x LED 3000K / CRI ≥ 80**

4050737963846 + 4050737754987
5MN238DLE003 + 5MN91401

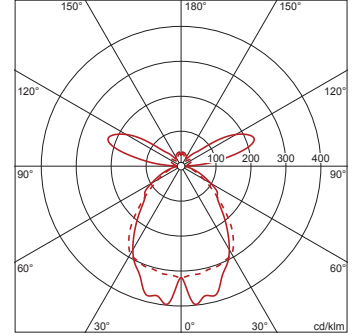
LED 3000K / CRI ≥ 80 ϕ_N 7100 lm



**5MN238DLE003 + 5MN91402:
1x LED 3000K / CRI ≥ 80**

4050737963846 + 4050737755007
5MN238DLE003 + 5MN91402

LED 3000K / CRI ≥ 80 ϕ_N 7210 lm



No. of luminaires in room
Reflection factors 70/50/20

Em(lx)	100		200		500	
Lh(m)	2.5	3.0	2.5	3.0	2.5	3.0
20 m ²	0.5	0.6	1.0	1.1	2.5	2.8
30 m ²	0.8	0.8	1.5	1.6	3.8	4.1
40 m ²	0.9	1.0	1.9	2.0	4.6	5.1
50 m ²	1.1	1.2	2.2	2.4	5.6	6.1
75 m ²	1.7	1.7	3.3	3.5	8.3	8.7
100 m ²	2.1	2.2	4.2	4.5	11	11
500 m ²	9.4	9.6	19	19	47	48

Maintenance factor 0.8

Rh = Lh + 0.5 m

No. of luminaires in room
Reflection factors 70/50/20

Em(lx)	100		200		500	
Lh(m)	2.5	3.0	2.5	3.0	2.5	3.0
20 m ²	0.4	0.5	0.8	1.0	2.1	2.4
30 m ²	0.6	0.7	1.2	1.4	3.1	3.4
40 m ²	0.8	0.9	1.6	1.7	3.9	4.3
50 m ²	0.9	1.0	1.9	2.1	4.7	5.2
75 m ²	1.4	1.5	2.8	3.0	7.0	7.4
100 m ²	1.8	1.9	3.6	3.8	9.0	9.6
500 m ²	8.2	8.5	16	17	41	42

Maintenance factor 0.8

Rh = Lh

No. of luminaires in room
Reflection factors 70/50/20

Em(lx)	100		200		500	
Lh(m)	2.5	3.0	2.5	3.0	2.5	3.0
20 m ²	0.5	0.5	1.0	1.1	2.4	2.7
30 m ²	0.7	0.8	1.4	1.6	3.6	3.9
40 m ²	0.9	1.0	1.8	1.9	4.4	4.9
50 m ²	1.1	1.2	2.1	2.3	5.4	5.8
75 m ²	1.6	1.7	3.2	3.3	8.0	8.4
100 m ²	2.0	2.2	4.1	4.3	10	11
500 m ²	9.1	9.4	18	19	46	47

Maintenance factor 0.8

Rh = Lh + 0.5 m