

Order No.: 5MN238DLE | GTIN (EAN): 4050737964188

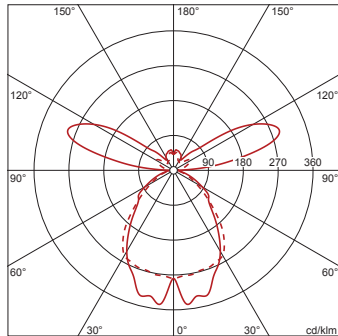
Product description: Vega,8130lm840,DALI



Vega®, office luminaire, primary light control with prismatic reflector, of PMMA, transparent prismatic structure, CAT 2 ($L \leq 1500 \text{cd/m}^2$), light emission: direct/indirect distribution, primary light characteristic: symmetric, installation type: suspended mounting, surface-mounted, LED rated luminous flux: 8.130 lm, light colour: 840, colour temperature: 4000K, control gear: ECG, with terminal, 3+2-pole, max. 2.5mm², mains connection: 230V, AC, 50Hz, connection cable inclusive, cable length: 1,5 m, rated input power: 62W, luminaire housing, rectangular, rounded, of aluminium section, anodised, metallic grey (RAL 9006), length: 1.250 mm, width: 350 mm, height: 43mm, luminaire housing, lower part, of aluminium section, anodised, metallic grey (RAL 9006), of PC, grey, protection rating (complete): IP20, insulation class (complete): insulation class I (protective earthing), certification: CE, standard: EN 50419, packaging unit: 1 piece

4050737964188
5MN238DLE

LED 4000K / CRI ≥ 80 ϕ_N 8130 lm



IP 20

Lamps: LED
Wt. (kg): 7.3
GTIN (EAN): 4050737964188

siteco 5MN238DLE

The luminaire contains built-in LED lamps

A++

A+

A

B

C

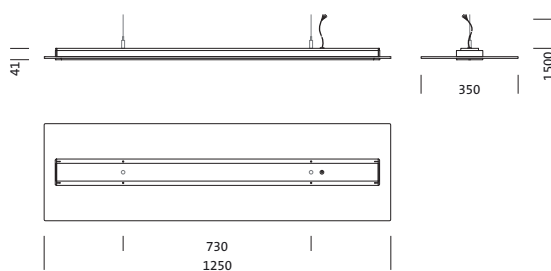
D

E

} LED

The LED-lamps cannot be changed in the luminaire

874/2012



Order No.: 5MN238DLE | **GTIN (EAN):** 4050737964188

Detailed technical description: Vega,8130lm840,DALI



Key data

- Product type: office luminaire
- Product name: Vega®
- Order No.: 5MN238DLE

Lighting technology | Lamps | Control gear

Component 1

Lighting technology:

- Light control: prismatic reflector of PMMA, transparent prismatic structure
- Symmetry: symmetric distribution
- Light emission: direct/indirect distribution
- UGR viewing direction along longitudinal luminaire axis: ≤ 16
- UGR viewing direction along lateral luminaire axis: ≤ 16

Lamps:

- Lamps: with LED
- Rated luminous flux: 8130lm
- Luminous efficacy: 131lm/W
- Colour temperature: 4000K
- Colour rendering index: CRI > 80
- Light colour: 840
- Rated input power: 62W

Operating device:

- Control gear: ECG
- Control: DALI

Certificates, Standards

- Protection rating: IP20
- Insulation class: insulation class I (protective earthing)
- Standard: EN 50419
- Certification, designation: CE

Material, Colour

- luminaire housing: aluminium section, anodised, metallic grey (RAL 9006), rectangular, rounded
- Colour specification: metallic grey (RAL 9006)
- luminaire housing, lower part: aluminium section, anodised, metallic grey (RAL 9006)
- Colour specification: metallic grey (RAL 9006)
- Colour specification: grey

Mounting

- Mounting method, mounting location: suspended mounting, surface-mounted
- Arrangement: single arrangement

Electrical connection

- Connection: terminal, 3+2-pole, max. 2.5mm²
- Nominal voltage: 230V, 220..240V, 50Hz, AC
- Connection cable: inclusive, L= 1.5m

Dimensions, Weight

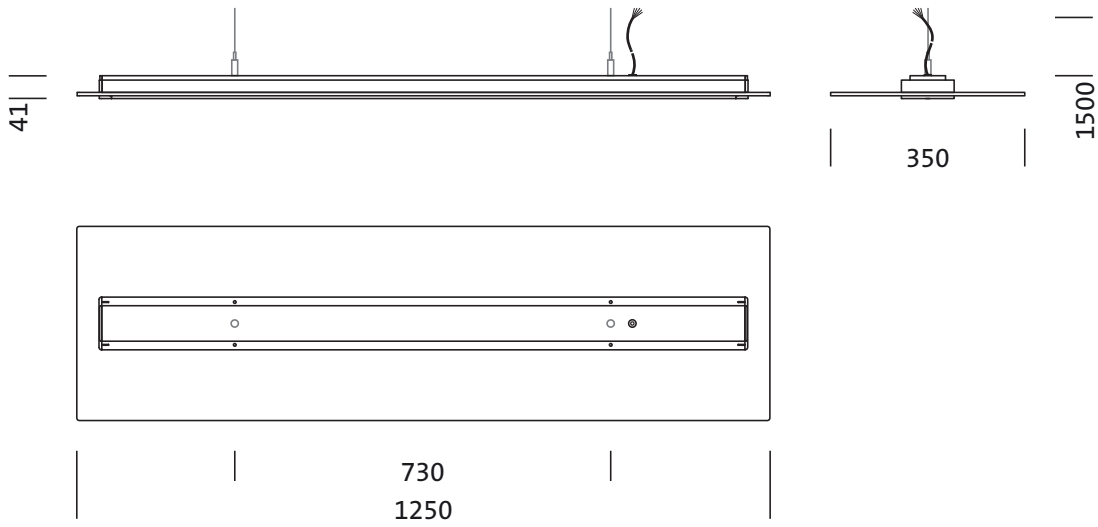
- Length: 1250mm
- Width: 350mm
- Height: 43mm
- Weight: 7.3kg

Service life

- Rated service life: 50000h (L80/B50) at AT = 25°C

Order No.: 5MN238DLE | GTIN (EAN): 4050737964188

Dimensions: Vega,8130lm840,DALI



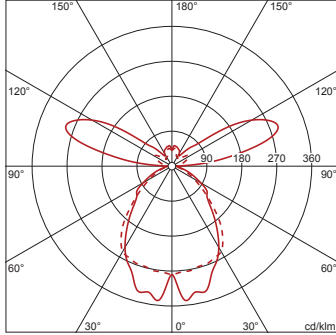
Order No.: 5MN238DLE | GTIN (EAN): 4050737964188

Planning data: Vega,8130lm840,DALI

5MN238DLE: 1x LED 4000K / CRI ≥ 80

4050737964188
5MN238DLE

LED 4000K / CRI ≥ 80 ϕ_N 8130 lm



No. of luminaires in room
Reflection factors 70/50/20

Em(lx)	100		200		500	
Lh(m)	2.5	3.0	2.5	3.0	2.5	3.0
20 m ²	0.5	0.5	0.9	1.0	2.3	2.6
30 m ²	0.7	0.7	1.3	1.5	3.4	3.7
40 m ²	0.8	0.9	1.7	1.8	4.2	4.6
50 m ²	1.0	1.1	2.0	2.2	5.0	5.4
75 m ²	1.5	1.6	3.0	3.1	7.4	7.8
100 m ²	1.9	2.0	3.8	4.0	9.5	10
500 m ²	8.4	8.7	17	17	42	43

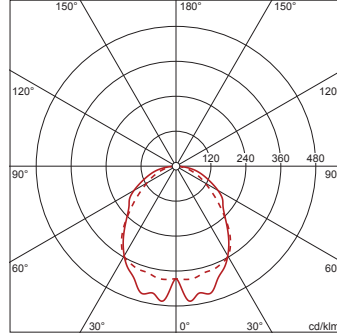
Maintenance factor 0.8

Rh = Lh + 0.5 m

5MN238DLE + 5MN91401: 1x LED 4000K / CRI ≥ 80

4050737964188 + 4050737754987
5MN238DLE + 5MN91401

LED 4000K / CRI ≥ 80 ϕ_N 7910 lm



No. of luminaires in room
Reflection factors 70/50/20

Em(lx)	100		200		500	
Lh(m)	2.5	3.0	2.5	3.0	2.5	3.0
20 m ²	0.4	0.4	0.7	0.9	1.9	2.1
30 m ²	0.6	0.6	1.1	1.2	2.8	3.1
40 m ²	0.7	0.8	1.4	1.6	3.5	3.9
50 m ²	0.9	0.9	1.7	1.9	4.3	4.6
75 m ²	1.3	1.3	2.5	2.7	6.3	6.7
100 m ²	1.6	1.7	3.2	3.4	8.1	8.6
500 m ²	7.4	7.6	15	15	37	38

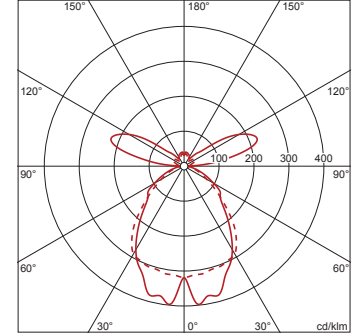
Maintenance factor 0.8

Rh = Lh

5MN238DLE + 5MN91402: 1x LED 4000K / CRI ≥ 80

4050737964188 + 4050737755007
5MN238DLE + 5MN91402

LED 4000K / CRI ≥ 80 ϕ_N 8030 lm



No. of luminaires in room
Reflection factors 70/50/20

Em(lx)	100		200		500	
Lh(m)	2.5	3.0	2.5	3.0	2.5	3.0
20 m ²	0.4	0.5	0.9	1.0	2.1	2.4
30 m ²	0.6	0.7	1.3	1.4	3.2	3.5
40 m ²	0.8	0.9	1.6	1.7	4.0	4.4
50 m ²	1.0	1.0	1.9	2.1	4.8	5.2
75 m ²	1.4	1.5	2.9	3.0	7.2	7.5
100 m ²	1.8	1.9	3.7	3.9	9.2	9.7
500 m ²	8.2	8.4	16	17	41	42

Maintenance factor 0.8

Rh = Lh + 0.5 m