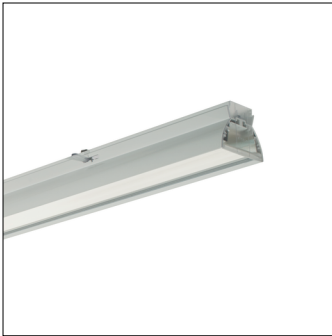


Order No. OSRAM: 4050737970271 | Order No. Siteco: 5TR21171V4090

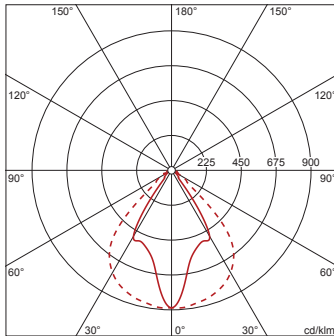
Product description: Mod-RS,LI,sym,nrrw,LED9500lm840,0/1,wh



Modario® RSLuminaire insert, length: 1.495mm, width: 75mm, LED light colour: 840, control gear: ON/OFF, control gear: ECG, with plug, 3-pole, with phase selection, mains connection: 230V, AC/DC, 0/50..60Hz, primary anti-glare with High Definition Primitives (HDP®), primary optical cover: prismatic diffuser, of PMMA, light emission: direct distribution, primary light characteristic: symmetric, protection rating (complete): IP20, protection rating (LED compartment): IP40, insulation class (complete): insulation class I (protective earthing), certification: CE, ENEC, VDE, permissible ambient temperature for indoor applications: -30..+50°C, corresponds to IFS (International Featured Standards) requirements for safety and quality in the food industry reducing of maximum allowable ambient temperature of 5°C with ceiling mounting, packaging unit: 1 piece

4050737970271
5TR21171V4090

LED 4000K / CRI ≥ 80 ϕ_N 9500 lm



Lamps: LED
Wt. (kg): 2.8
GTIN (EAN): 4050737970271

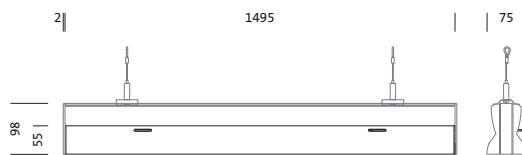
siteco AN OSRAM BUSINESS 5TR21171V4090

The luminaire contains built-in LED lamps

LED

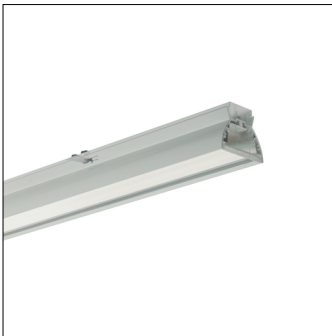
The LED-lamps cannot be changed in the luminaire

874/2012



Order No. OSRAM: 4050737970271 | Order No. Siteco: 5TR21171V4090

Detailed technical description: Mod-RS,LI,sym,nrrw,LED9500lm840,0/1,wh



Key data

- Product type: luminaire insert
- Family: Modario® RS
- Order No.: 5TR21171V4090

Lighting technology | Lamps | Control gear

Component 1

Lighting technology:

- Cover: prismatic diffuser, prismatic structure
- Glare reduction: High Definition Primitives (HDP®)
- Beam angle: narrow distribution
- Symmetry: symmetric distribution
- Light emission: direct distribution

Lamps:

- Lamps: with LED
- Rated luminous flux: 9500lm
- Luminous efficacy: 133lm/W
- Colour temperature: 4000K
- Colour rendering index: CRI > 80
- Light colour: 840
- Rated input power: 71W

Operating device:

- Control gear: ECG
- Control: ON/OFF

Material | Colour

- RS LED insert: aluminium, coated, pure white, 5x system unit, for tool-free mounting of luminaire in Modario® trunking rail, mounting via twist lock catches with metal catch
- Cover: prismatic diffuser of PMMA

Mounting

- Arrangement: single/continuous arrangement

Electrical connection

- Connection: plug, 3-pole, with phase selection
- Nominal voltage: 230V, AC/DC, 220..240V, 0/50..60Hz

Dimensions | Weight

- System units: 5x SE
- Length: 1495mm
- Width: 75mm
- Weight: 2.8kg

Certificates | Standards

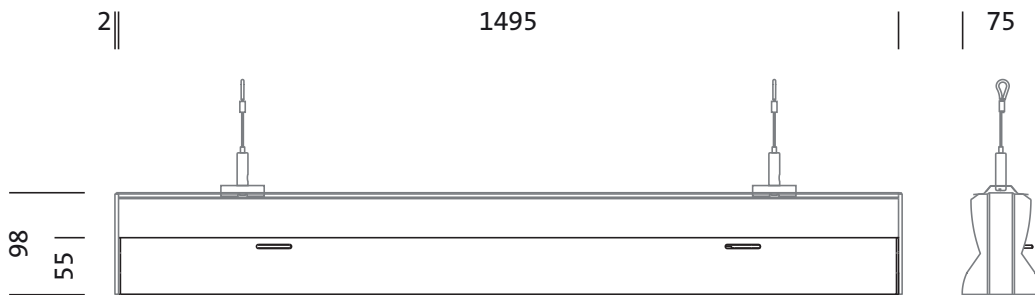
- Protection rating: IP20
- Protection rating (lamp compartment): IP40
- Insulation class: insulation class I (protective earthing)
- Impact resistance: IK03
- Permissible ambient temperature: -30..+50°C
- Supplement: corresponds to IFS (International Featured Standards) requirements for safety and quality in the food industry, reducing of maximum allowable ambient temperature of 5°C with ceiling mounting
- Certification, designation: CE, ENEC, VDE

Service life

- Rated life: 70000h (L90/B50) at AT = 25°C

Order No. OSRAM: 4050737970271 | Order No. Siteco: 5TR21171V4090

Dimensions: Mod-RS,LI,sym,nrrw,LED9500lm840,0/1,wh



Order No. OSRAM: 4050737970271 | Order No. Siteco: 5TR21171V4090

Planning data: Mod-RS,LI,sym,nrrw,LED9500lm840,0/1,wh

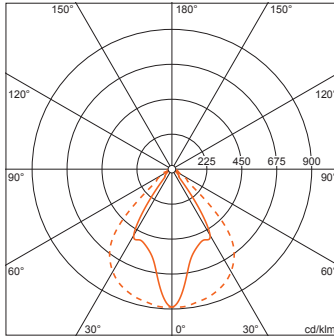
5TR21171V4090: 1x LED

4000K / CRI ≥ 80

4050737970271

5TR21171V4090

LED 4000K / CRI ≥ 80 ϕ_N 9500 lm



ϕ_{\downarrow} 100% ϕ_{\uparrow} 0%

Luminance values (cd/m²)

| | C 0/180 | C 90/270 |
|-----------------|---------|----------|
| L ₈₀ | 2057 | 15848 |
| L ₇₀ | 1630 | 17039 |
| L ₆₅ | 2088 | 8647 |

UGR 17.3 24.2

X 4H Y 8H ρ 70/50/20 S 0.25H

No. of luminaires in room

Reflection factors 70/50/20

| Em(lx) | 100 | | 200 | | 500 | |
|--------------------|-----|-----|-----|-----|-----|-----|
| | 3.0 | 5.0 | 3.0 | 5.0 | 3.0 | 5.0 |
| 20 m ² | 0.3 | 0.4 | 0.5 | 0.9 | 1.3 | 2.1 |
| 30 m ² | 0.5 | 0.6 | 0.9 | 1.2 | 2.4 | 3.1 |
| 40 m ² | 0.6 | 0.7 | 1.1 | 1.5 | 2.8 | 3.7 |
| 50 m ² | 0.7 | 0.9 | 1.4 | 1.8 | 3.4 | 4.4 |
| 75 m ² | 1.1 | 1.2 | 2.2 | 2.5 | 5.4 | 6.2 |
| 100 m ² | 1.3 | 1.6 | 2.6 | 3.1 | 6.4 | 7.8 |
| 500 m ² | 6.0 | 6.6 | 12 | 13 | 30 | 33 |

Maintenance factor 0.8

Rh = Lh