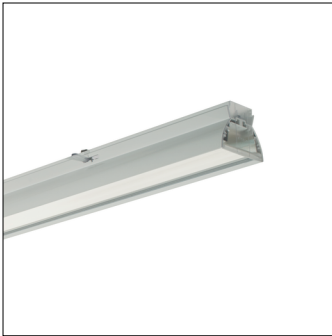


Order No. OSRAM: 4050737970691 | Order No. Siteco: 5TR212D2V4120

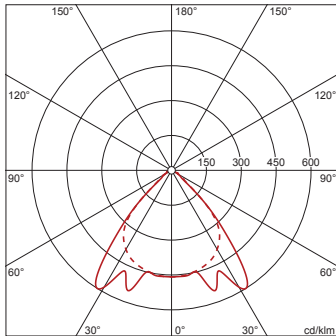
Product description: Mod-RS,LI,sym,wd,LED12000lm840,DALI,wh



Modario® RSLuminaire insert, length: 1.495mm, width: 75mm, LED light colour: 840, control gear: DALI, control gear: ECG DALI, with plug, 5-pole, with phase selection, mains connection: 230V, AC/DC, 0/50..60Hz, primary anti-glare with High Definition Primitives (HDP®), primary optical cover: prismatic diffuser, of PMMA, light emission: direct distribution, primary light characteristic: symmetric, protection rating (complete): IP20, protection rating (LED compartment): IP40, insulation class (complete): insulation class I (protective earthing), certification: CE, ENEC, VDE, permissible ambient temperature for indoor applications: -25..+40°C, corresponds to IFS (International Featured Standards) requirements for safety and quality in the food industryreducing of maximum allowable ambient temperature of 5°C with ceiling mounting, packaging unit: 1 piece

4050737970691  
5TR212D2V4120

LED 4000K / CRI ≥ 80    ϕ<sub>N</sub> 12000 lm



Lamps: LED  
Wt. (kg): 3.0  
GTIN (EAN): 4050737970691

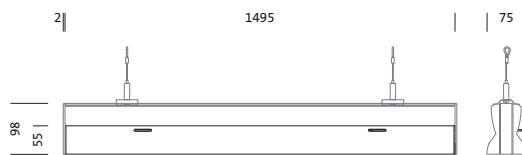
**siteco** AN OSRAM BUSINESS    5TR212D2V4120

The luminaire contains built-in LED lamps

LED

The LED-lamps cannot be changed in the luminaire

**874/2012**



Order No. OSRAM: 4050737970691 | Order No. Siteco: 5TR212D2V4120

Detailed technical description: Mod-RS,LI,sym,wd,LED12000lm840,DALI,wh



**Key data**

- Product type: luminaire insert
- Family: Modario® RS
- Order No.: 5TR212D2V4120

**Lighting technology | Lamps | Control gear**

**Component 1**

**Lighting technology:**

- Cover: prismatic diffuser, prismatic structure
- Glare reduction: High Definition Primitives (HDP®)
- Beam angle: wide distribution
- Symmetry: symmetric distribution
- Light emission: direct distribution

**Lamps:**

- Lamps: with LED
- Rated luminous flux: 12000lm
- Luminous efficacy: 138lm/W
- Colour temperature: 4000K
- Colour rendering index: CRI > 80
- Light colour: 840
- Rated input power: 87W

**Operating device:**

- Control gear: ECG DALI
- Control: DALI

**Material | Colour**

- RS LED insert: aluminium, coated, pure white, 5x system unit, for tool-free mounting of luminaire in Modario® trunking rail, mounting via twist lock catches with metal catch
- Cover: prismatic diffuser of PMMA

**Mounting**

- Arrangement: single/continuous arrangement

**Electrical connection**

- Connection: plug, 5-pole, with phase selection
- Nominal voltage: 230V, AC/DC, 220..240V, 0/50..60Hz

**Dimensions | Weight**

- System units: 5x SE
- Length: 1495mm
- Width: 75mm
- Weight: 3.0kg

**Certificates | Standards**

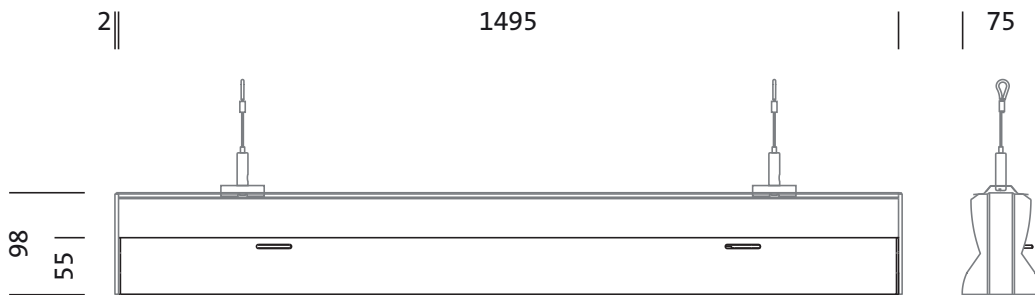
- Protection rating: IP20
- Protection rating (lamp compartment): IP40
- Insulation class: insulation class I (protective earthing)
- Impact resistance: IK03
- Permissible ambient temperature: -25..+40°C
- Supplement: corresponds to IFS (International Featured Standards) requirements for safety and quality in the food industry, reducing of maximum allowable ambient temperature of 5°C with ceiling mounting
- Certification, designation: CE, ENEC, VDE

**Service life**

- Rated life: 70000h (L90/B50) at AT = 25°C

Order No. OSRAM: 4050737970691 | Order No. Siteco: 5TR212D2V4120

Dimensions: Mod-RS,LI,sym,wd,LED12000lm840,DALI,wh

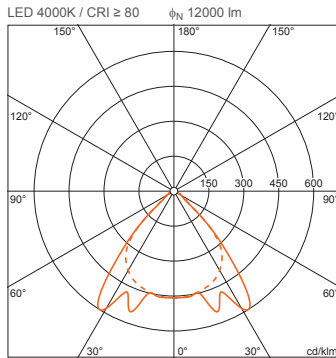


Order No. OSRAM: 4050737970691 | Order No. Siteco: 5TR212D2V4120

Planning data: Mod-RS,LI,sym,wd,LED12000lm840,DALI,wh

**5TR212D2V4120: 1x LED**  
**4000K / CRI ≥ 80**

4050737970691  
 5TR212D2V4120



$\phi_{\downarrow}$  100%     $\phi_{\uparrow}$  0%

Luminance values (cd/m<sup>2</sup>)

	C 0/180	C 90/270
L <sub>80</sub>	6651	11489
L <sub>70</sub>	4744	11843
L <sub>65</sub>	5426	6189

UGR 22.6    24  
 X 4H    Y 8H     $\rho$  70/50/20    S 0.25H

No. of luminaires in room

Reflection factors	70/50/20					
	100		200		500	
Em(lx)	3.0	5.0	3.0	5.0	3.0	5.0
Lh(m)	3.0	5.0	3.0	5.0	3.0	5.0
20 m <sup>2</sup>	0.2	0.4	0.5	0.8	1.1	2.1
30 m <sup>2</sup>	0.4	0.5	0.7	1.1	1.9	2.7
40 m <sup>2</sup>	0.5	0.7	0.9	1.3	2.3	3.3
50 m <sup>2</sup>	0.6	0.8	1.1	1.5	2.8	3.8
75 m <sup>2</sup>	0.8	1.0	1.7	2.1	4.1	5.2
100 m <sup>2</sup>	1.1	1.3	2.1	2.6	5.3	6.5
500 m <sup>2</sup>	4.9	5.3	9.7	11	24	27

Maintenance factor 0.8    Rh = Lh