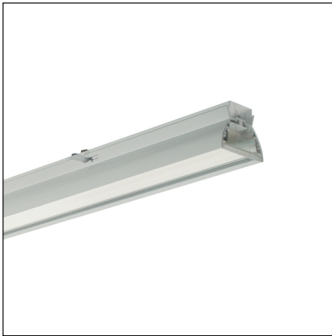


Order No. OSRAM: 4050737970936 | Order No. Siteco: 5TR21971V4080

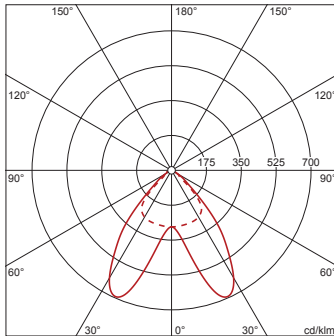
Product description: Mod-RS,LI,shoprfl,LED8000lm840,0/1,wh



Modario® RSLuminaire insert, length: 1.495mm, width: 75mm, LED light colour: 840, control gear: ON/OFF, control gear: ECG, with plug, 3-pole, with phase selection, mains connection: 230V, AC/DC, 0/50..60Hz, primary light control with lens, of plastic, primary anti-glare with High Definition Prismatics (HDP®), primary optical cover: prismatic diffuser, of PMMA, light emission: direct distribution, protection rating (complete): IP20, protection rating (LED compartment): IP40, insulation class (complete): insulation class I (protective earthing), certification: CE, ENEC, VDE, permissible ambient temperature for indoor applications: -30..+50°C, corresponds to IFS (International Featured Standards) requirements for safety and quality in the food industry reducing of maximum allowable ambient temperature of 5°C with ceiling mounting, packaging unit: 1 piece

4050737970936
5TR21971V4080

LED 4000K / CRI ≥ 80 ϕ_N 8000 lm



Lamps: LED
Wt. (kg): 3.0
GTIN (EAN): 4050737970936

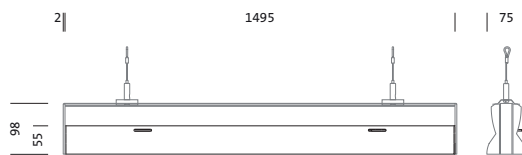
siteco AN OSRAM BUSINESS 5TR21971V4080

The luminaire contains built-in LED lamps

LED

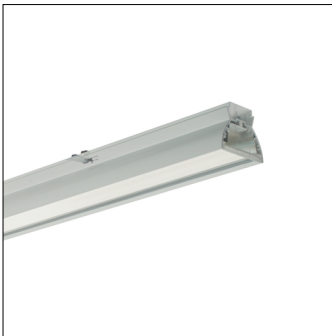
The LED-lamps cannot be changed in the luminaire

874/2012



Order No. OSRAM: 4050737970936 | Order No. Siteco: 5TR21971V4080

Detailed technical description: Mod-RS,LI,shoprfl,LED8000lm840,0/1,wh



Key data

- Product type: luminaire insert
- Family: Modario® RS
- Order No.: 5TR21971V4080

Lighting technology | Lamps | Control gear

Component 1

Lighting technology:

- Light control: lens of plastic, matt
- Cover: prismatic diffuser, prismatic structure
- Glare reduction: High Definition Prismatics (HDP®)
- Beam angle: shop reflector, double vertical distribution
- Light emission: direct distribution

Lamps:

- Lamps: with LED
- Rated luminous flux: 8000lm
- Luminous efficacy: 136lm/W
- Colour temperature: 4000K
- Colour rendering index: CRI > 80
- Light colour: 840
- Rated input power: 59W

Operating device:

- Control gear: ECG
- Control: ON/OFF

Material | Colour

- RS LED insert: aluminium, coated, pure white, 5x system unit, for tool-free mounting of luminaire in Modario® trunking rail, mounting via twist lock catches with metal catch
- Cover: prismatic diffuser of PMMA

Mounting

- Arrangement: single/continuous arrangement

Electrical connection

- Connection: plug, 3-pole, with phase selection
- Nominal voltage: 230V, AC/DC, 220..240V, 0/50..60Hz

Dimensions | Weight

- System units: 5x SE
- Length: 1495mm
- Width: 75mm
- Weight: 3.0kg

Certificates | Standards

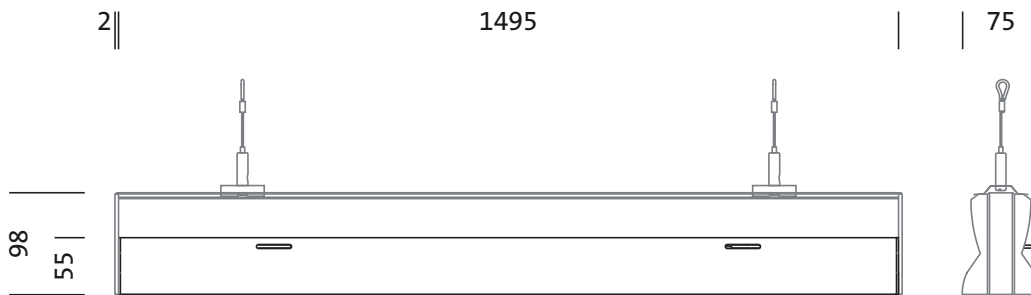
- Protection rating: IP20
- Protection rating (lamp compartment): IP40
- Insulation class: insulation class I (protective earthing)
- Impact resistance: IK03
- Permissible ambient temperature: -30..+50°C
- Supplement: corresponds to IFS (International Featured Standards) requirements for safety and quality in the food industry, reducing of maximum allowable ambient temperature of 5°C with ceiling mounting
- Certification, designation: CE, ENEC, VDE

Service life

- Rated life: 70000h (L90/B50) at AT = 25°C

Order No. OSRAM: 4050737970936 | Order No. Siteco: 5TR21971V4080

Dimensions: Mod-RS,LI,shoprfl,LED8000lm840,0/1,wh

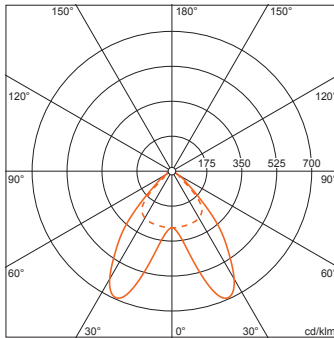


Order No. OSRAM: 4050737970936 | Order No. Siteco: 5TR21971V4080

Planning data: Mod-RS,LI,shoprfl,LED8000lm840,0/1,wh

5TR21971V4080: 1x LED
4000K / CRI ≥ 80

4050737970936
 5TR21971V4080
 LED 4000K / CRI ≥ 80 ϕ_N 8000 lm



ϕ_{\downarrow} 100% ϕ_{\uparrow} 0%

Luminance values (cd/m²)

	C 0/180	C 90/270
L ₈₀	5176	5424
L ₇₀	3649	5652
L ₆₅	4118	3064

UGR 21.7 22.7
 X 4H Y 8H ρ 70/50/20 S 0.25H

No. of luminaires in room

Reflection factors 70/50/20

Em(lx)	100		200		500	
	3.0	5.0	3.0	5.0	3.0	5.0
Lh(m)	3.0	5.0	3.0	5.0	3.0	5.0
20 m ²	0.4	0.7	0.7	1.3	1.8	3.3
30 m ²	0.6	0.9	1.1	1.7	2.8	4.3
40 m ²	0.7	1.0	1.4	2.1	3.5	5.1
50 m ²	0.8	1.2	1.7	2.4	4.2	6.0
75 m ²	1.2	1.6	2.5	3.2	6.2	8.0
100 m ²	1.6	2.0	3.2	4.0	8.0	10
500 m ²	7.3	8.1	15	16	37	40

Maintenance factor 0.8 Rh = Lh