

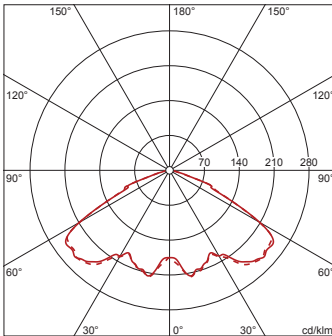
Order No. OSRAM: 4058352058930 | Order No. Siteco: 5XA5132J1A08A4

Product description: DL30,PL1.2s,LED3510lm830,Basic



DL® 30 LED, mast luminaire, primary light control with 3 zone faceted reflector, of plastic, aluminium vaporised, highly specular, primary optical cover: cover, of PMMA, transparent, structured, light distribution: PL1.2s, light emission: direct distribution, primary light characteristic: symmetric, installation type: post-top, LED, LED High Power, rated luminous flux: 3.510lm, luminous efficacy: 87lm/W, light colour: 830, colour temperature: 3000K, control gear: ECG Basic, control: overheat protection, power reduction, electronic power reduction, mains connection: 220..240V, AC, 50/60Hz, start of lifetime: 40W, end of lifetime: 40W, reduction: 19W, luminaire housing, of diecast aluminium, powder-coated, Siteco® metallic grey (DB 702S), length: 600mm, width: 510mm, height: 290mm, spigot size: d x l = 76 x 100mm (post-top) | with reducer (optional accessory) 60 x 100mm, protection rating (complete): IP66, insulation class (complete): insulation class II (safety insulation), certification: CE, ENEC, VDE, impact resistance: IK08, standard-compliant lighting for roads and squares, packaging unit: 1 piece

4058352058930
5XA5132J1A08A4
LED 3000K / CRI ≥ 80 Φ_{N} 3510 lm



Lamps: LED
Wt. (kg): 7.8
GTIN (EAN): 4058352058930

siteco AN OSRAM BUSINESS 5XA5132J1A08A4

The luminaire contains built-in LED lamps

A++

A+

A

B

C

D

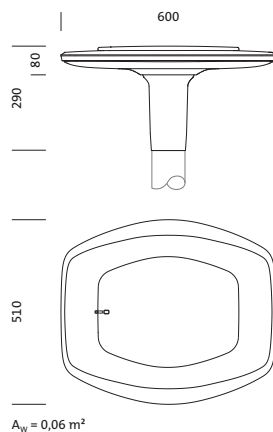
E

} LED

X

The LED-lamps cannot be changed in the luminaire

874/2012



Order No. OSRAM: 4058352058930 | Order No. Siteco: 5XA5132J1A08A4

Detailed technical description: DL30,PL1.2s,LED3510lm830,Basic



Key data

- Product type: mast luminaire
- Family: DL® 30 LED
- Order No.: 5XA5132J1A08A4

Lighting technology | Lamps | Control gear

Component 1

Lighting technology:

- Light control: 3 zone faceted reflector of plastic, aluminium vaporised, highly specular
- Cover: cover, transparent, structured
- Light distribution: PL1.2s
- Beam angle: wide distribution
- Symmetry: symmetric distribution
- Light emission: direct distribution

Lamps:

- Lamps: with LED High Power, LED
- Rated luminous flux: 3510lm
- Luminous efficacy: 87lm/W
- Colour temperature: 3000K
- Colour rendering index: CRI > 80
- Light colour: 830
- Rated input power begin service life: 40
- Rated input power end service life: 40
- Rated input power at 50% lumin. flux: 19

Operating device:

- Control gear: ECG Basic
- Control: Basic
- Equipment: overheat protection, power reduction
- Switching method: electronic power reduction

Material | Colour

- luminaire housing: diecast aluminium, powder-coated, Siteco® metallic grey (DB 702S)
- Cover: cover of PMMA

Mounting

- Mounting method, mounting location: post-top, on mast

Electrical connection

- Nominal voltage: 220..240V, AC, 50/60Hz
- Surge voltage resistance: 6kV 1.2/50µs

Dimensions | Weight

- Length: 600mm
- Width: 510mm
- Height: 290mm
- Mast head: spigot size: d x l = 76 x 100mm (post-top) | with reducer (optional accessory) 60 x 100mm
- Weight: 7.8kg

Certificates | Standards

- Protection rating: IP66
- Insulation class: insulation class II (safety insulation)
- Impact resistance: IK08
- Supplement: standard-compliant lighting for roads and squares
- Certification, designation: CE, ENEC, VDE

Light emission

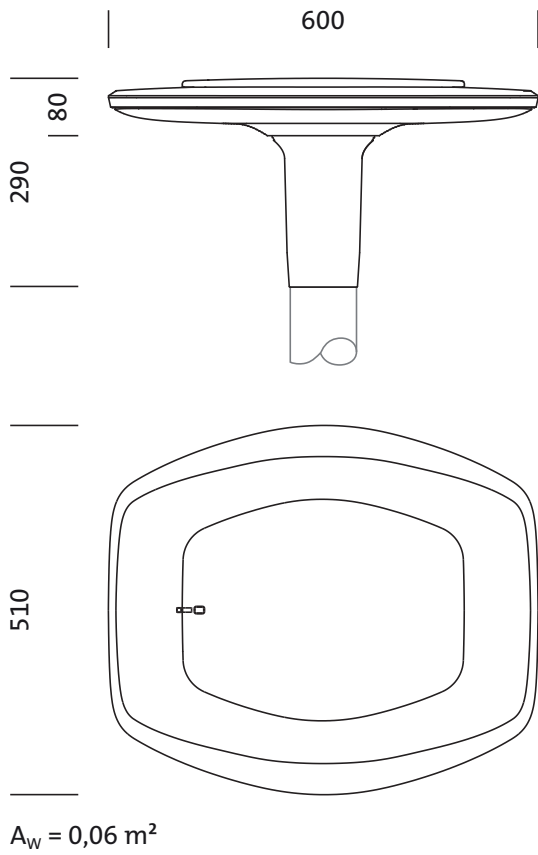
- Light emission: 0%

Service life

- Rated life: 100000h (L80/B10) at AT = 25°C

Order No. OSRAM: 4058352058930 | Order No. Siteco: 5XA5132J1A08A4

Dimensions: DL30,PL1.2s,LED3510lm830,Basic

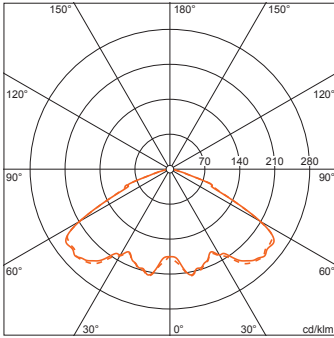


Order No. OSRAM: 4058352058930 | Order No. Siteco: 5XA5132J1A08A4

Planning data: DL30,PL1.2s,LED3510lm830,Basic

5XA5132J1A08A4: 4x LED
3000K / CRI ≥ 80

4058352058930
5XA5132J1A08A4
LED 3000K / CRI ≥ 80 Φ_{H} 3510 lm



C 0/180 C 90/270

Luminous intensity class according to
EN13201-2: G6

