

Order No.: 51FP107P460H | GTIN (EAN): 4058352377048

Product description: Mon12,wd,5800lm840,0/1,PMMA



Monsun® 12, damp-proof luminaire, chain hanger, primary optical cover: enclosure, of PMMA, light emission: direct distribution, primary light characteristic: symmetric, installation type: suspended mounting, surface-mounted, horizontal mounting, vertical mounting, LED rated luminous flux: 5.800 lm, light colour: 840, colour temperature: 4000K, control gear: ECG, with terminal, 3-pole, max. 2.5mm², mains connection: 220..240V, AC, 50/60Hz, rated input power: 33W, luminaire housing, of glass-fibre reinforced polyester, uncoated, bright grey, length: 1.590 mm, width: 90 mm, height: 88mm, clip for enclosure, of stainless steel (V2A), ceiling mounting element, of stainless steel (V2A), chain hanger, of stainless steel (V2A), protection rating (complete): IP66, insulation class (complete): insulation class I (protective earthing), certification: CE, ENEC, VDE, protection symbol: D, impact resistance: IK04, permissible ambient temperature for indoor applications: -35..+40°C, standard: EN 50419, EN 60598-2-1, no direct snow, no direct sun, no direct rain, for indoor or canopied outdoor use, corresponds to IFS (International Featured Standards) requirements for safety and quality in the food industry, for animal farming (ammonia tested): for use in cowhouse, pig house, horse-stables... (not for use in poultry stables), AT max for animal farming = 40°C, packaging unit: 1 piece



Lamps:	LED
Wt. (kg):	2.5
GTIN (EAN):	4058352377048



Order No.: 51FP107P460H | GTIN (EAN): 4058352377048

Detailed technical description: Mon12,wd,5800lm840,0/1,PMMA



Key data

- Product type: damp-proof luminaire
- Product name: Monsun® 12
- Order No.: 51FP107P460H

Lighting technology | Lamps | Control gear

Component 1

Lighting technology:

- Cover: enclosure
- Beam angle: wide distribution
- Symmetry: symmetric distribution
- Light emission: direct distribution

Lamps:

- Lamps: with LED
- Rated luminous flux: 5800lm
- Luminous efficacy: 178lm/W
- Colour temperature: 4000K
- Colour rendering index: CRI > 80
- Light colour: 840
- SDCM (Standard Deviation of Colour Matching): MacAdam ≤ 3 SDCM (initial)
- Rated input power: 33W
- Supplement: halogen-free wiring, without flicker

Operating device:

- Control gear: ECG
- Control: ON/OFF

Certificates, Standards

- Protection rating: IP66
- Insulation class: insulation class I (protective earthing)
- Impact resistance: IK04
- Protection symbol: D
- Temperature range (operation): -35..+40°C
- Supplement: corresponds to IFS (International Featured Standards) requirements for safety and quality in the food industry, for indoor or canopied outdoor use, no direct snow, no direct sun, no direct rain, for animal farming (ammonia tested): for use in cowhouse, pig house, horse-stables... (not for use in poultry stables), AT max for animal farming = 40°C
- Standard: EN 50419, EN 60598-2-1
- Certification, designation: CE, ENEC, VDE

Material, Colour

- luminaire housing: glass-fibre reinforced polyester, uncoated, bright grey, incl. chain hanger
- Colour specification: bright grey
- clip for enclosure: stainless steel (V2A)
- Quantity: 10 piece
- ceiling mounting element: stainless steel (V2A), ceiling mounting included
- Quantity: 2 piece
- chain hanger: stainless steel (V2A)
- Quantity: 2 piece
- Cover: enclosure of PMMA

Mounting

- Mounting method, mounting location: suspended mounting, surface-mounted, horizontal mounting, vertical mounting, to the ceiling, to the wall, to the Licross® mounting rail
- Arrangement: single/continuous arrangement
- Supplement: luminaire includes fixing accessories for ceiling surface mounting; for other types of installation: please order mounting accessories separately

Electrical connection

- Connection: terminal, 3-pole, max. 2.5mm²
- Nominal voltage: 220..240V, 50/60Hz, AC

Dimensions, Weight

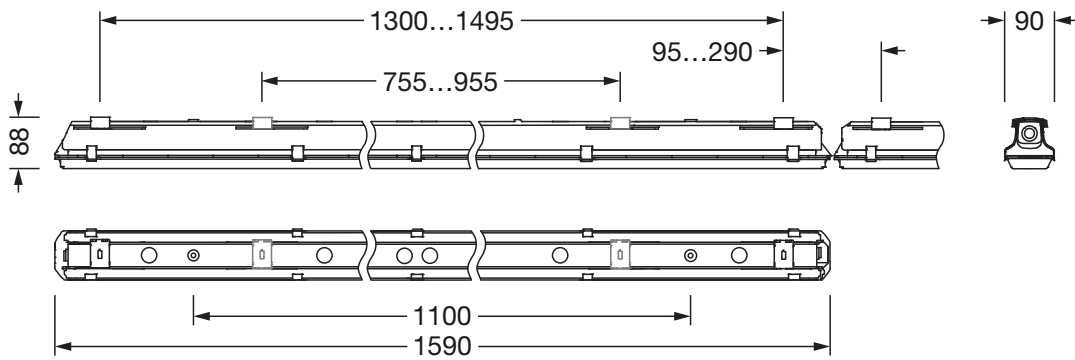
- Length: 1590mm
- Width: 90mm
- Height: 88mm
- Weight: 2.5kg

Service life

- Rated service life: 50000h (L90/B50) at AT = 25°C, 70000h (L80/B50) at AT = 35°C

Order No.: 51FP107P460H | GTIN (EAN): 4058352377048

Dimensions: Mon12,wd,5800lm840,0/1,PMMA



It is mandatory that the assembly instructions must be observed when planning and installing the electrical installation (to be found at www.siteco.com)
Issued 20.05.2022 - Modifications and errors subject to change - Ensure that you always use the latest version -

Order No.: 51FP107P460H | GTIN (EAN): 4058352377048

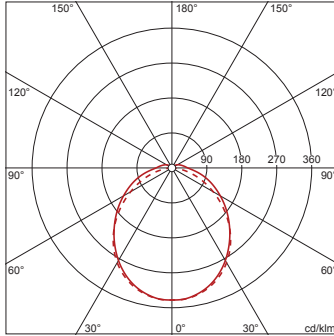
Planning data: Mon12,wd,5800lm840,0/1,PMMA

51FP107P460H: 1x LED

4058352377048

51FP107P460H

LED 4000 K | CRI ≥ 80 ϕ_{N} 5800 lm



ϕ_{d} 94% ϕ_{r} 6%

Luminance values (cd/m²)

	C 0/180	C 90/270
L ₈₀	6930	6038
L ₇₀	7716	8404
L ₆₅	8082	9262

UGR 24.9 23.5

X 4H Y 8H ρ 70/50/20 S 0.25H