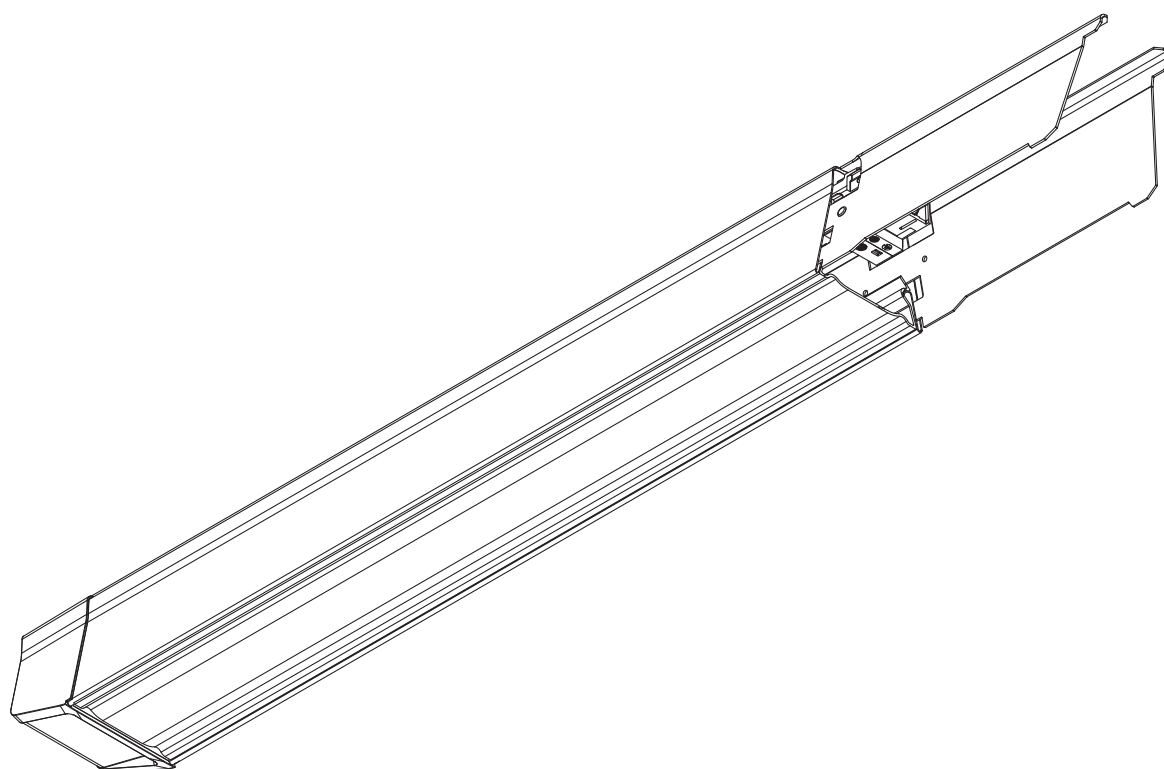


Licross®

Einspeiser IP40

Feed in IP40

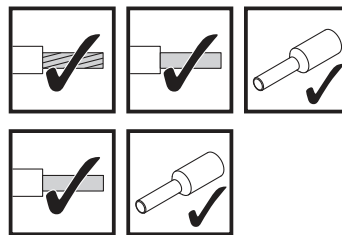
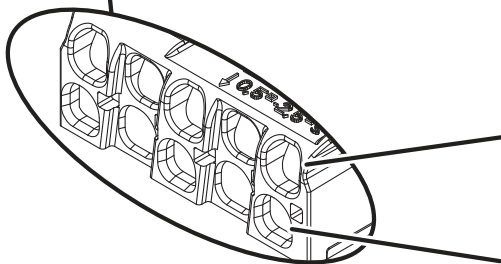
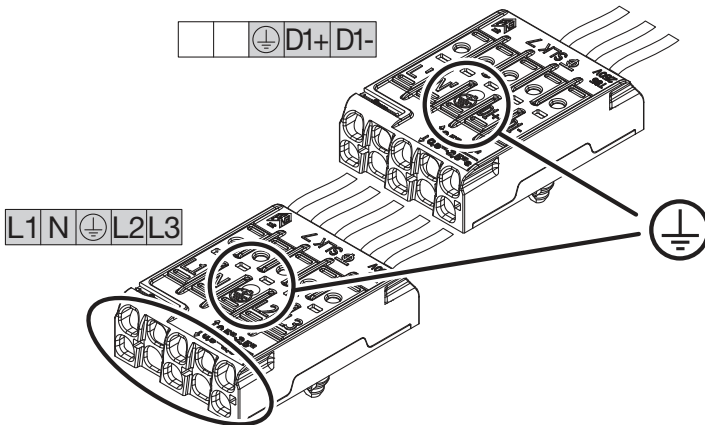
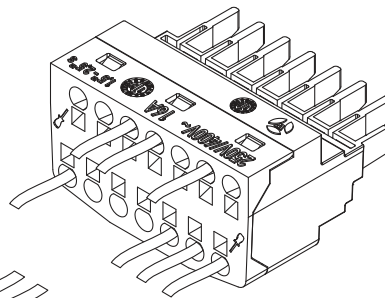
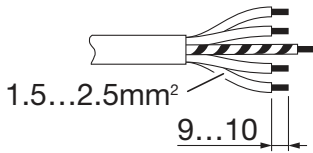
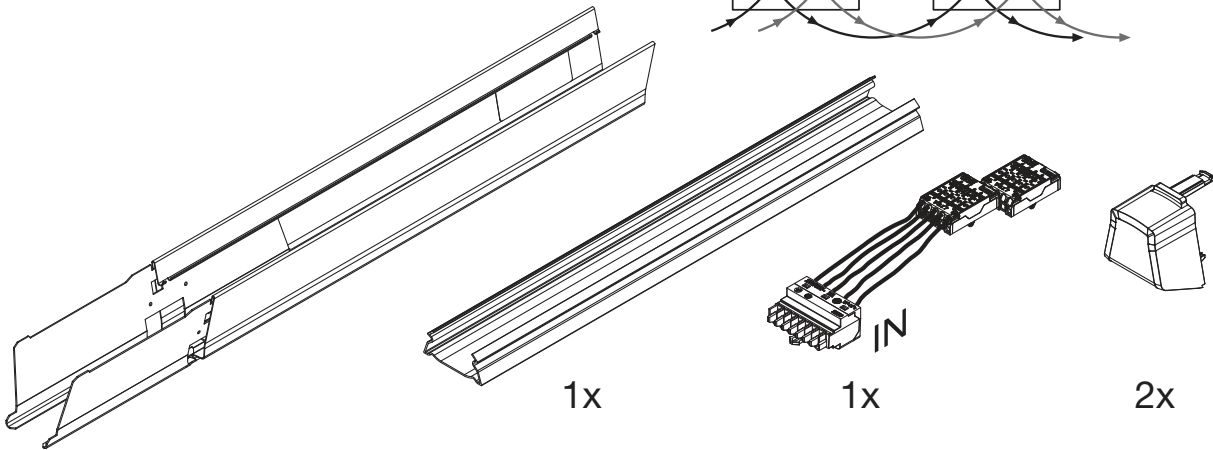
59TL . FN .



siteco

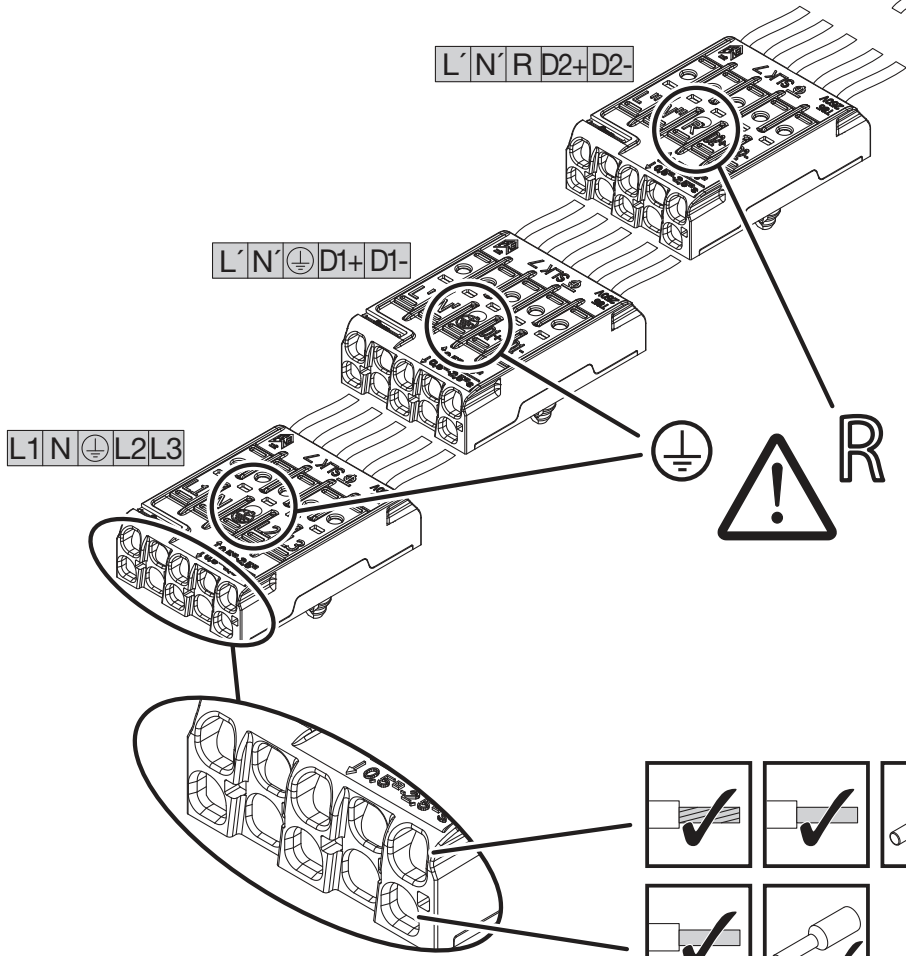
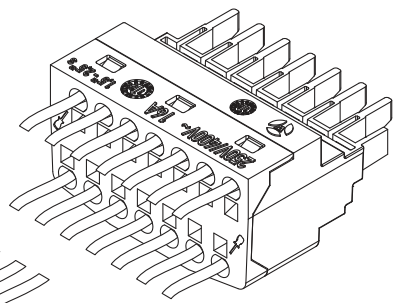
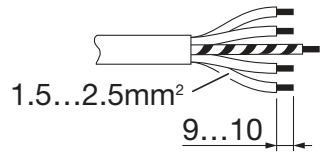
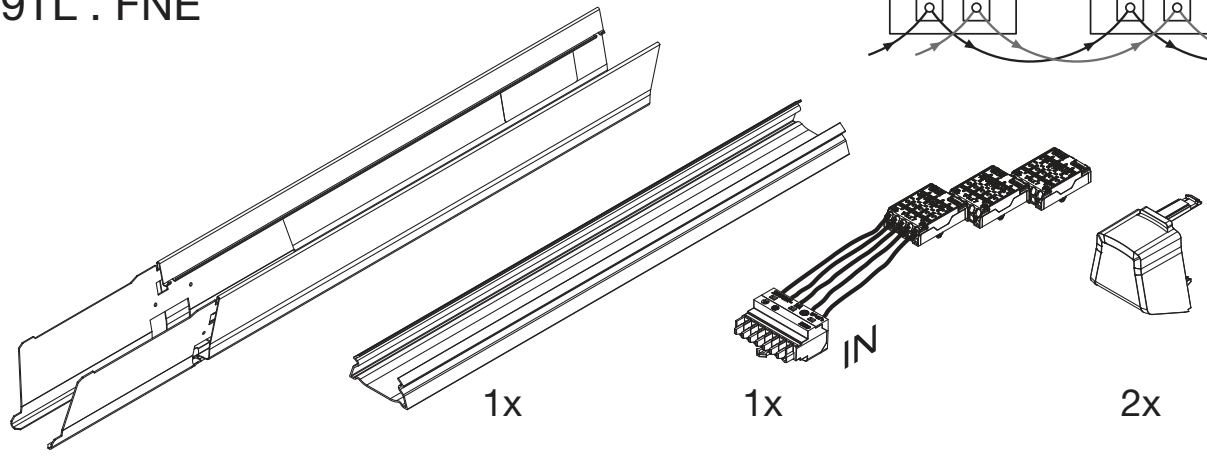
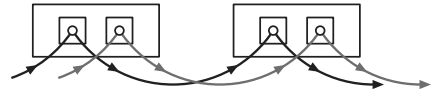
59TL . FN7

[mm]



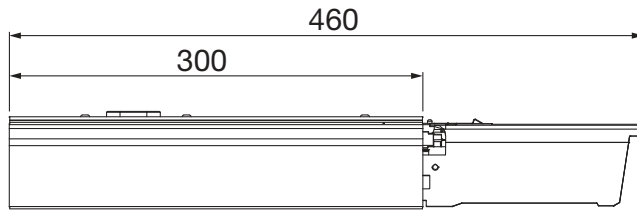
kg = 0.9

59TL . FNE

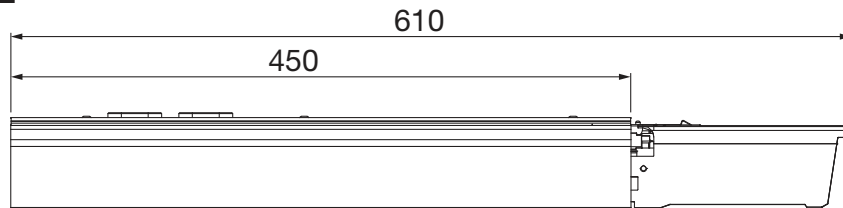


kg = 1.0

59TL . FN7

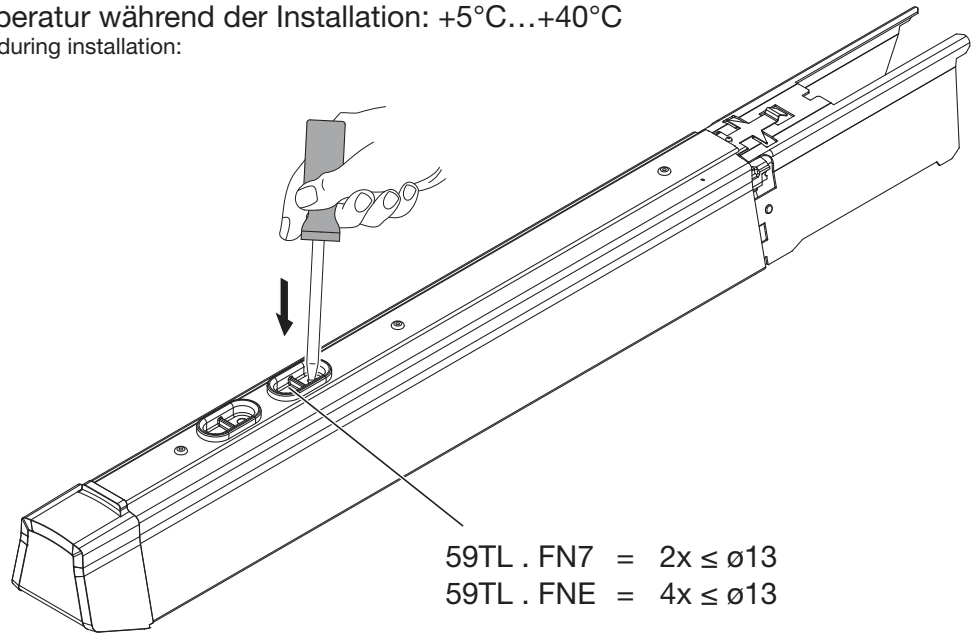


59TL . FNE

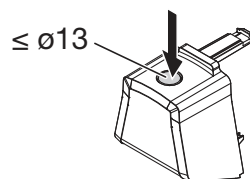
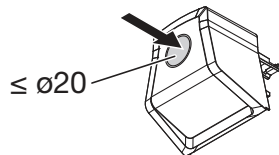


- 1** Umgebungstemperatur während der Installation: +5°C...+40°C
Ambient temperature during installation:

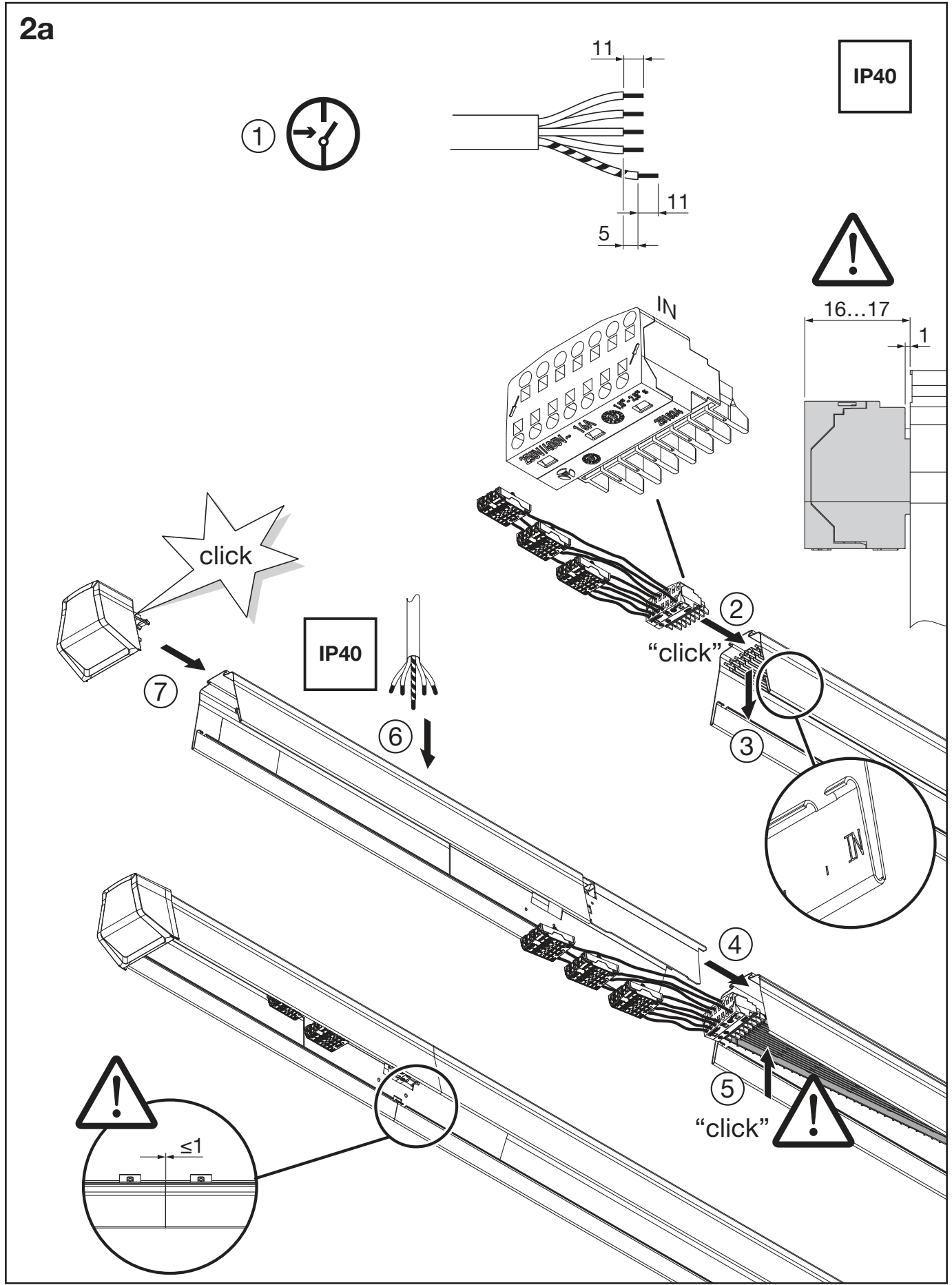
IP40



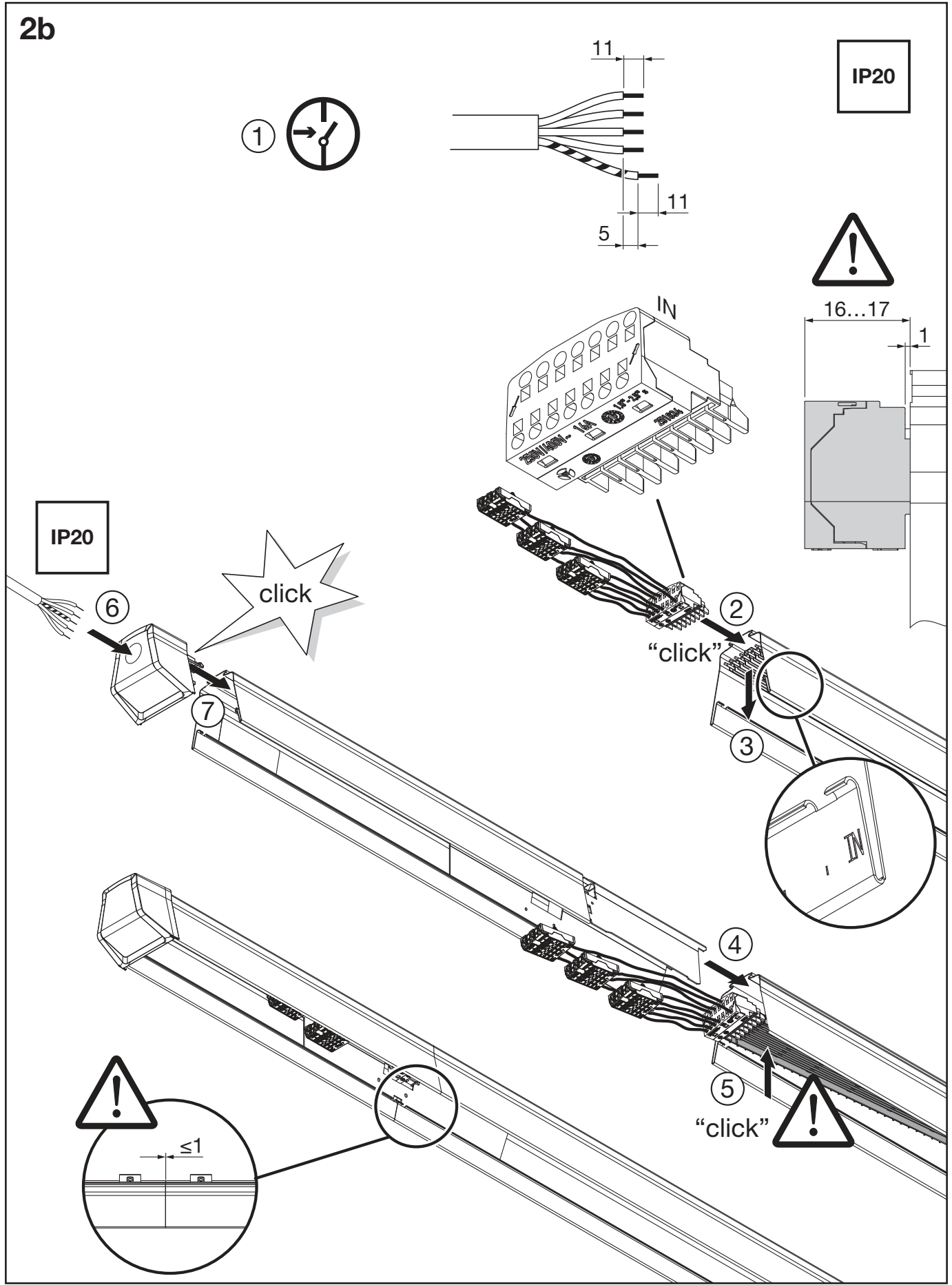
IP20



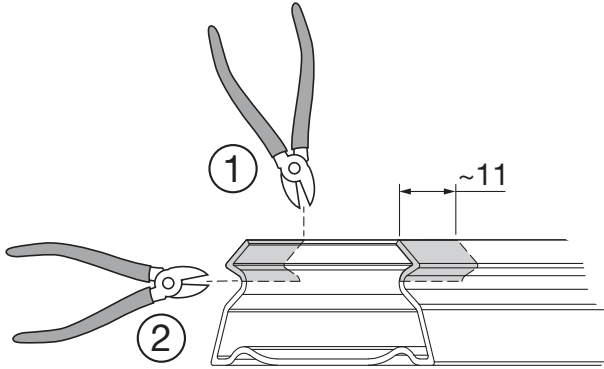
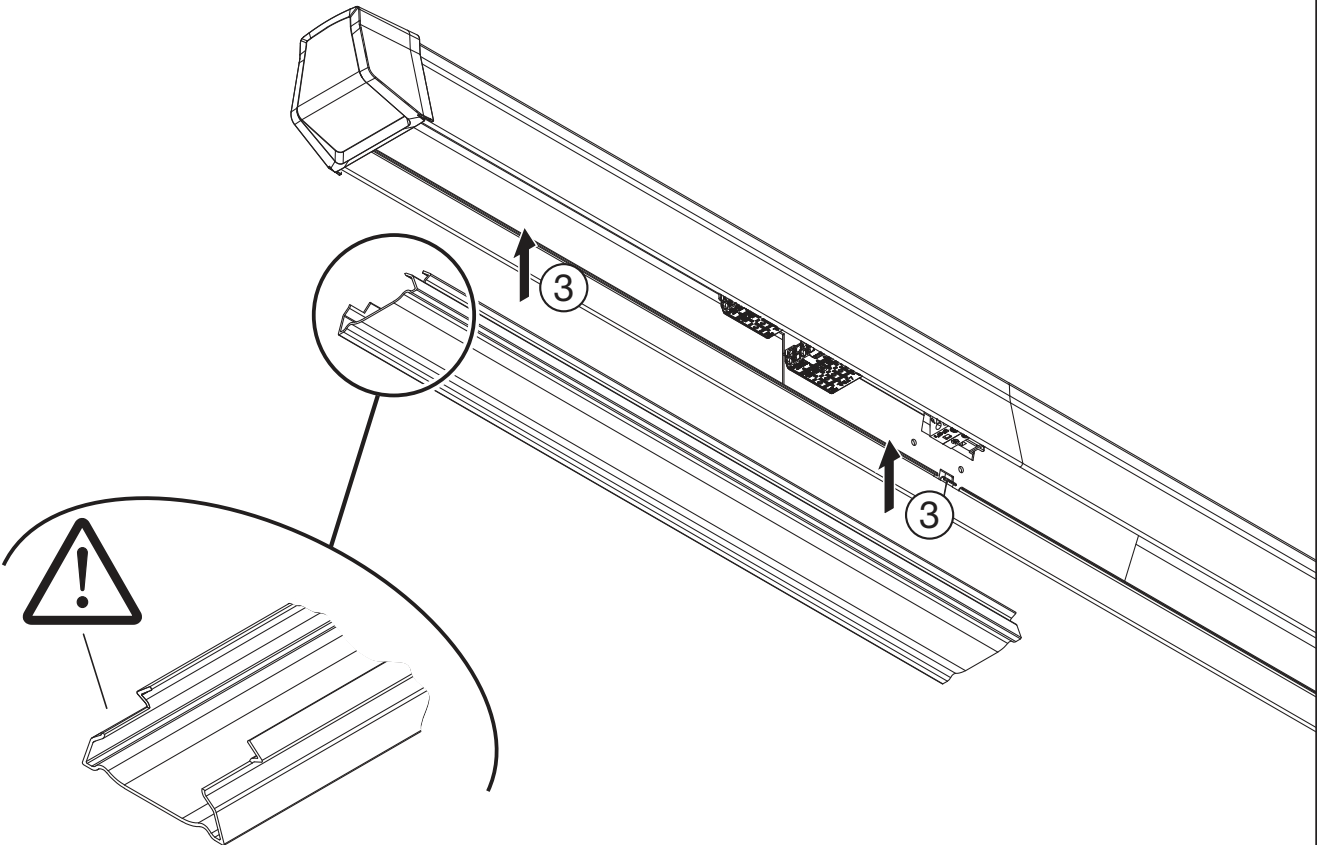
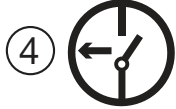
2a

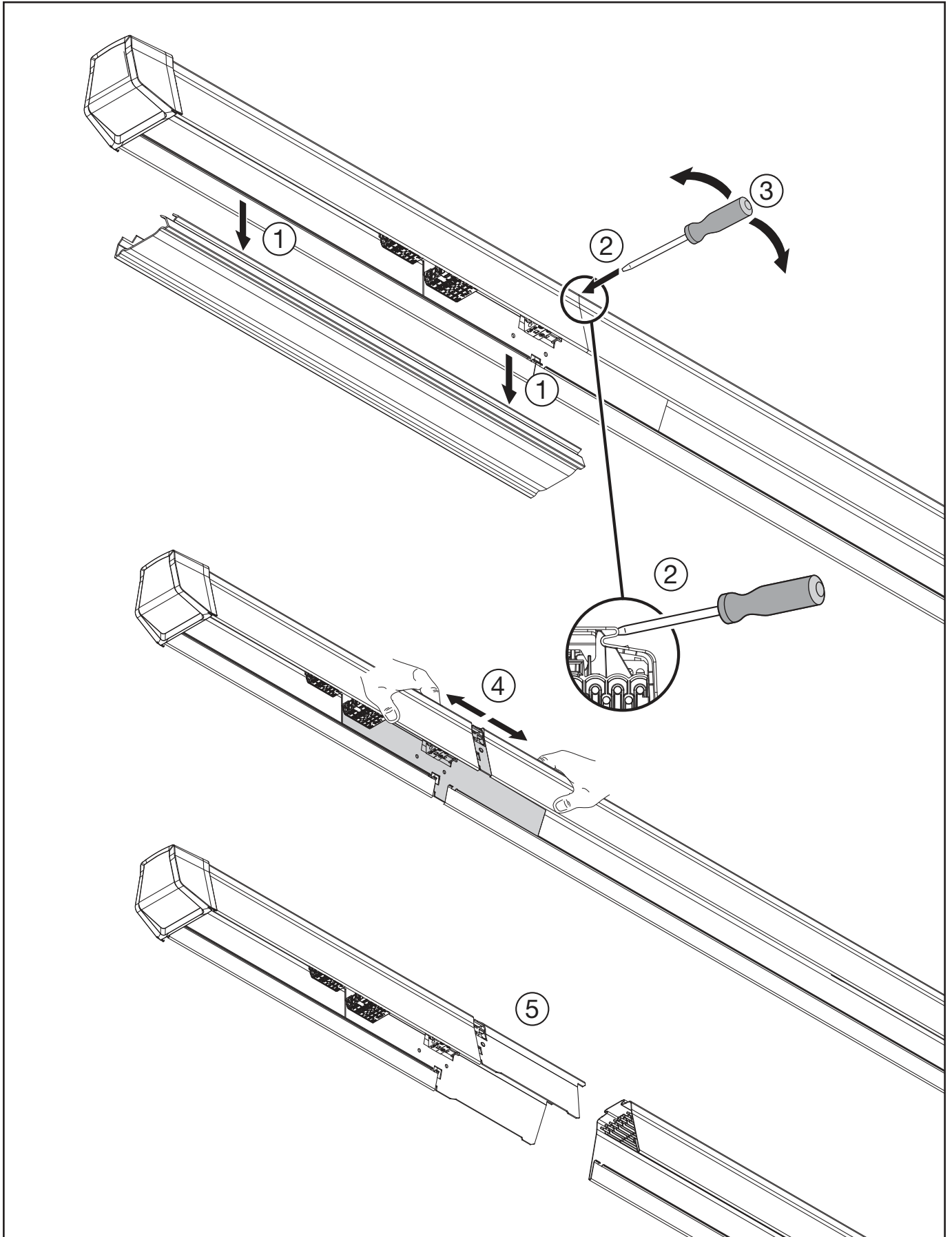


2b



3





5MA14-254399_ai
08.12.2022 / AZ

Siteco GmbH
Georg-Simon-Ohm-Straße 50
83301 Traunreut, Germany
mail: technicalsupport@siteco.de
Phone: +49 8669 / 33-844
www.siteco.com