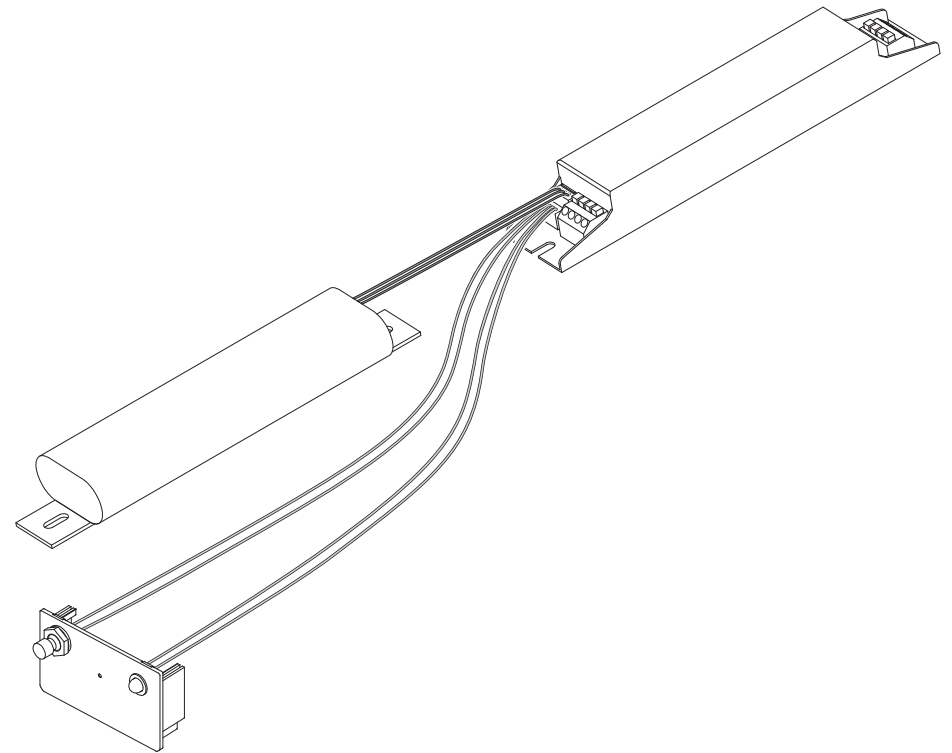


# Ecopack® 31

## Notlicht-Element / Emergency Light Element

59LJ203

59LJ204

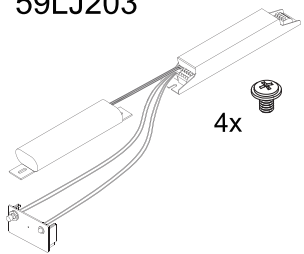


5MA69-262454\_aa  
08.07.2022 / REC (CME)

Siteco GmbH  
Georg-Simon-Ohm-Straße 50  
83301 Traunreut, Germany  
mail: [technicalsupport@siteco.de](mailto:technicalsupport@siteco.de)  
Phone: +49 8669 / 33-844  
[www.siteco.com](http://www.siteco.com)

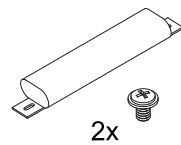
**siteco**

**59LJ203**




4x

**59LJ204**

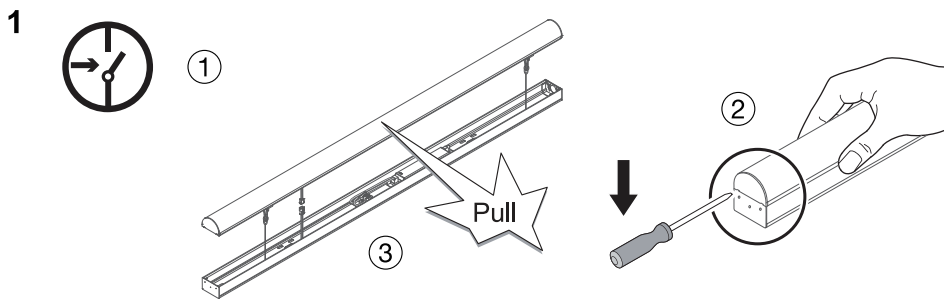


2x

 = 0...+50°C

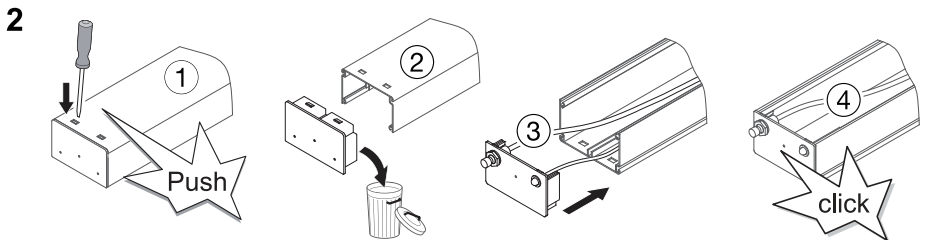
Order number	kg
59LJ203	0.33
59LJ204	0.22

**1**



Pull

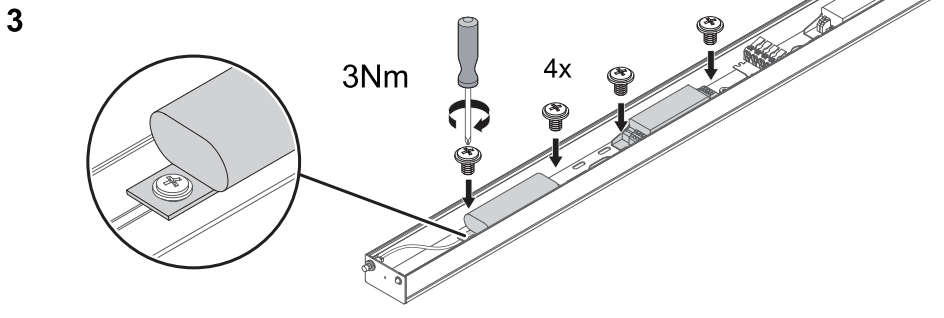
**2**



Push

click

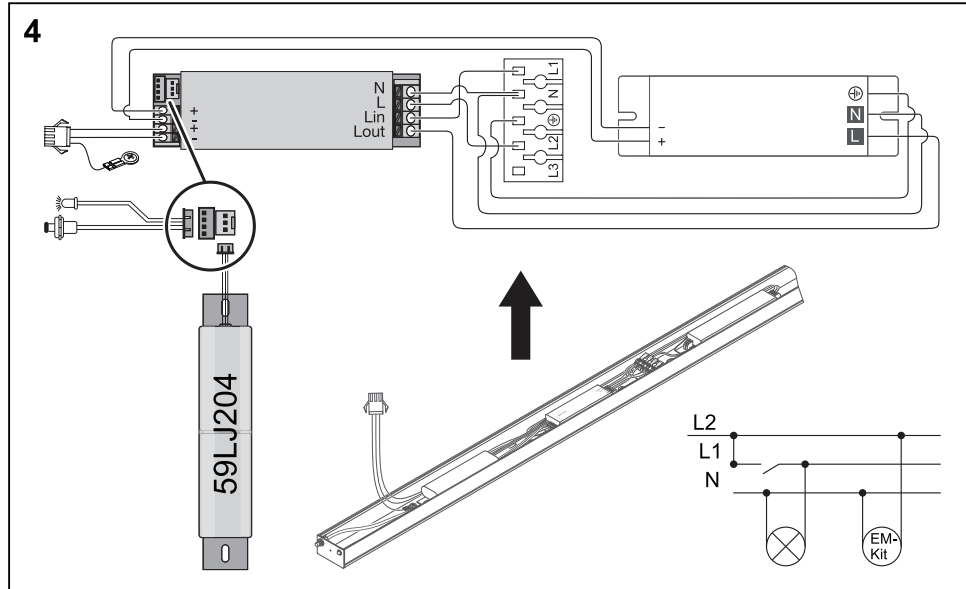
**3**



3Nm

4x

**4**




59LJ204

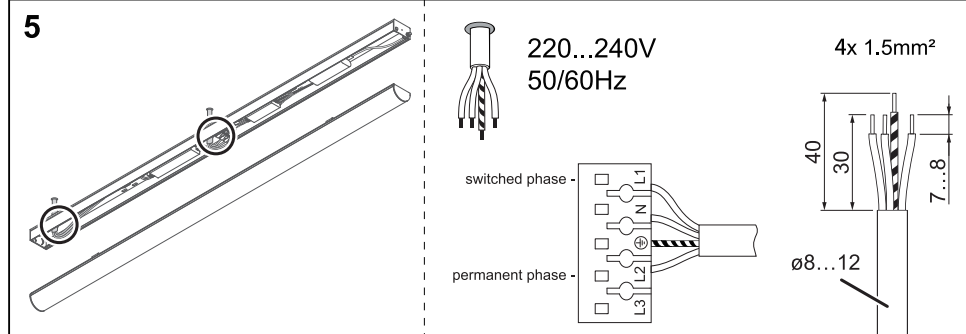
L2

L1

N



**5**



220...240V  
50/60Hz

4x 1.5mm<sup>2</sup>

switched phase -

permanent phase -

40

30

7...8

ø8...12

**6**

### Date of Installation

\_\_\_\_\_ ①

Connecting the battery into the EM-Kit only when it can be ensured that there is a constant voltage supply on L1 for at least 16 hours to guarantee an optimal charging of the battery.

The process of charging must not be interrupted otherwise the battery can be damaged and a proper function can not be guaranteed.

**Commissioning**

The permanent power supply (L1) should not be interrupted during the initial charging period.

In normal operation a 16h charging of the battery is mandatory to achieve the rated emergency duration of 3h.

**Test:**

Press and hold button to test EM-kit. Green indicator turns off and lamp turns on. After release of button green indicator lamp turns on again.

To maintain full battery capacity, the battery must be discharged every 6 months for 3 hours.