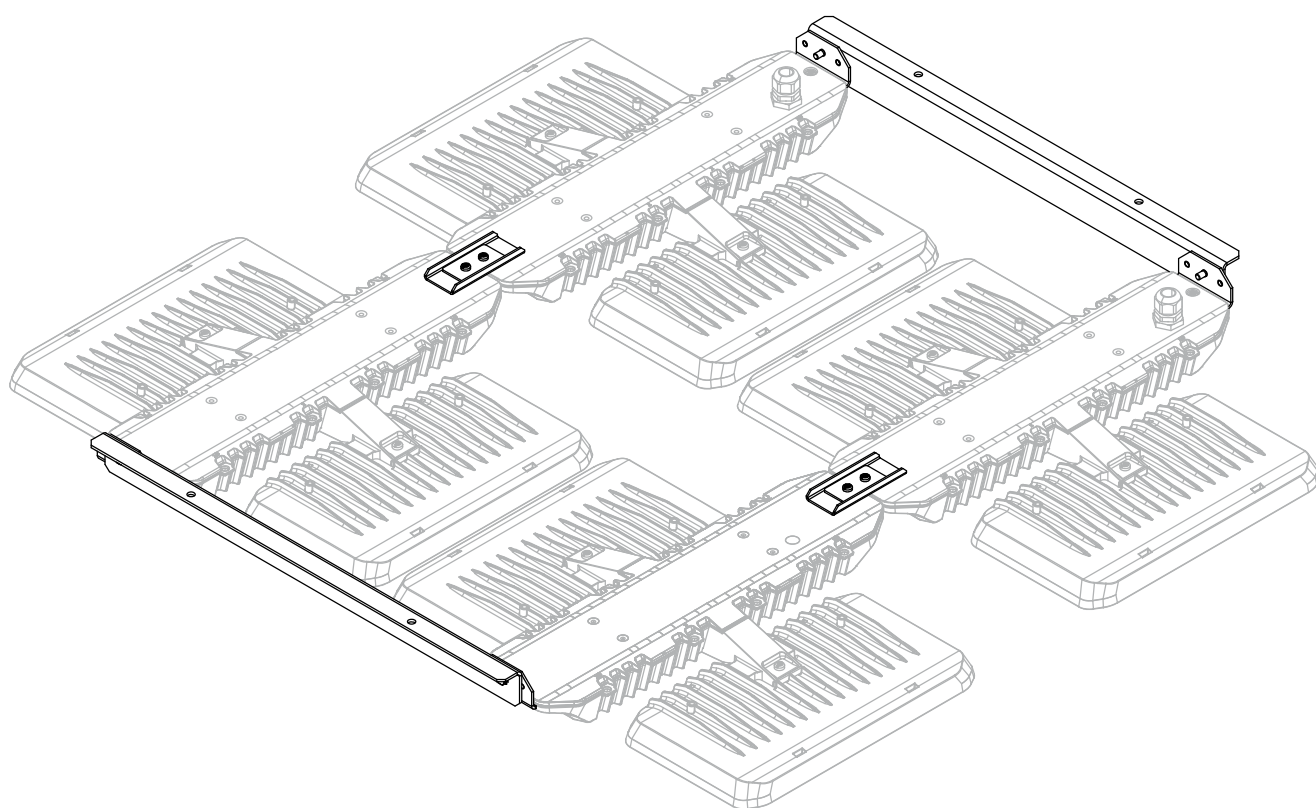


# Highbay11 / 21

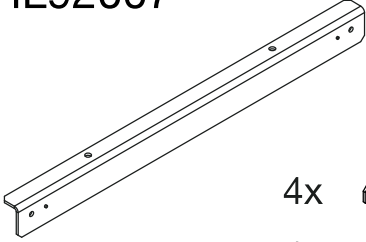
Traverse  
traverse

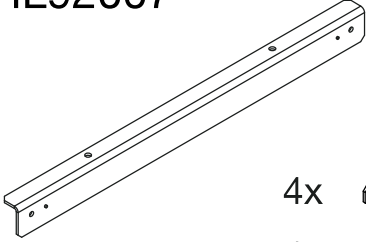
59HL92007







**siteco**


**59HL92007**

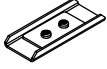


2x 

4x  4x  M6x16

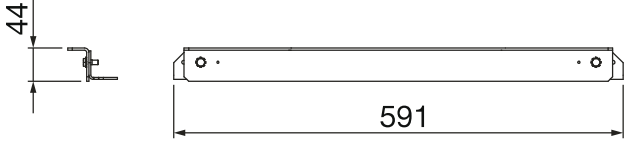
8x  M5x8 4x 

4x  M5x16

2x 

**kg** = 1.2


[ mm ]




44

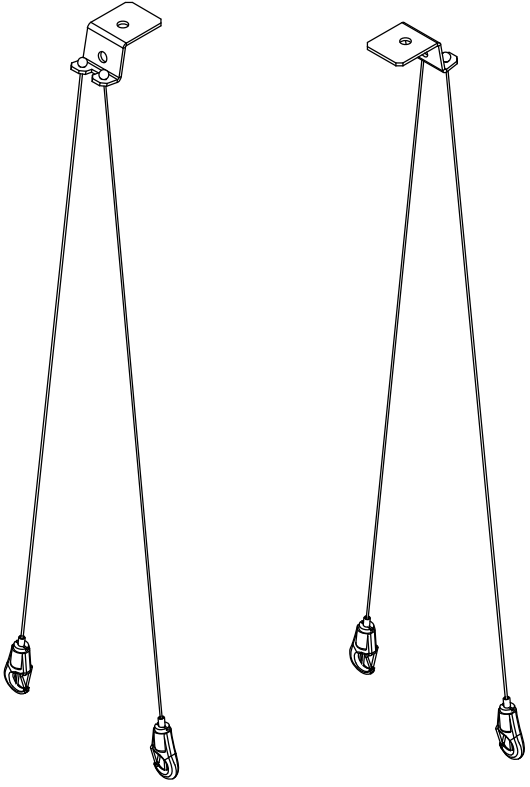
591


**59HL92002**



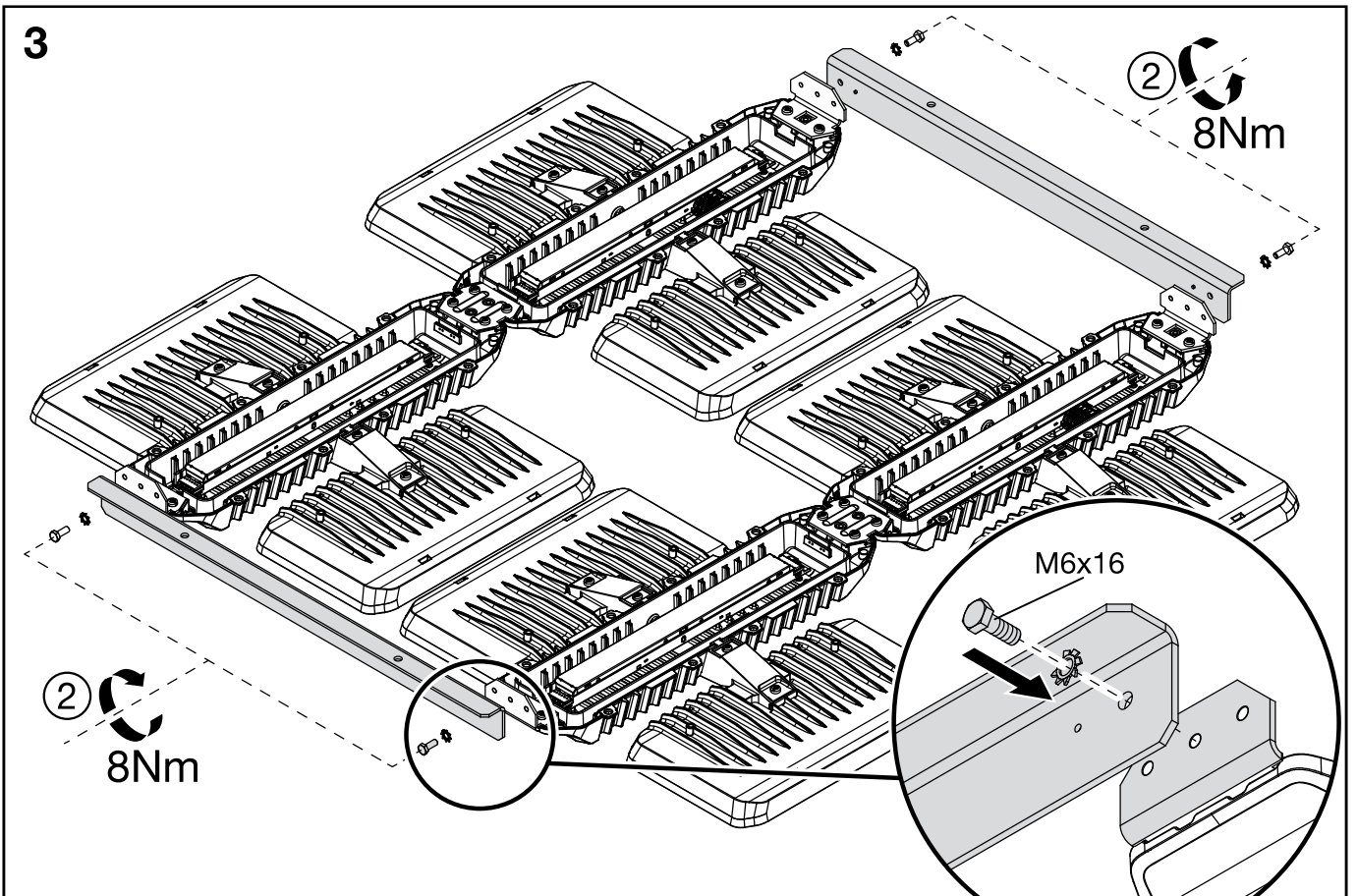
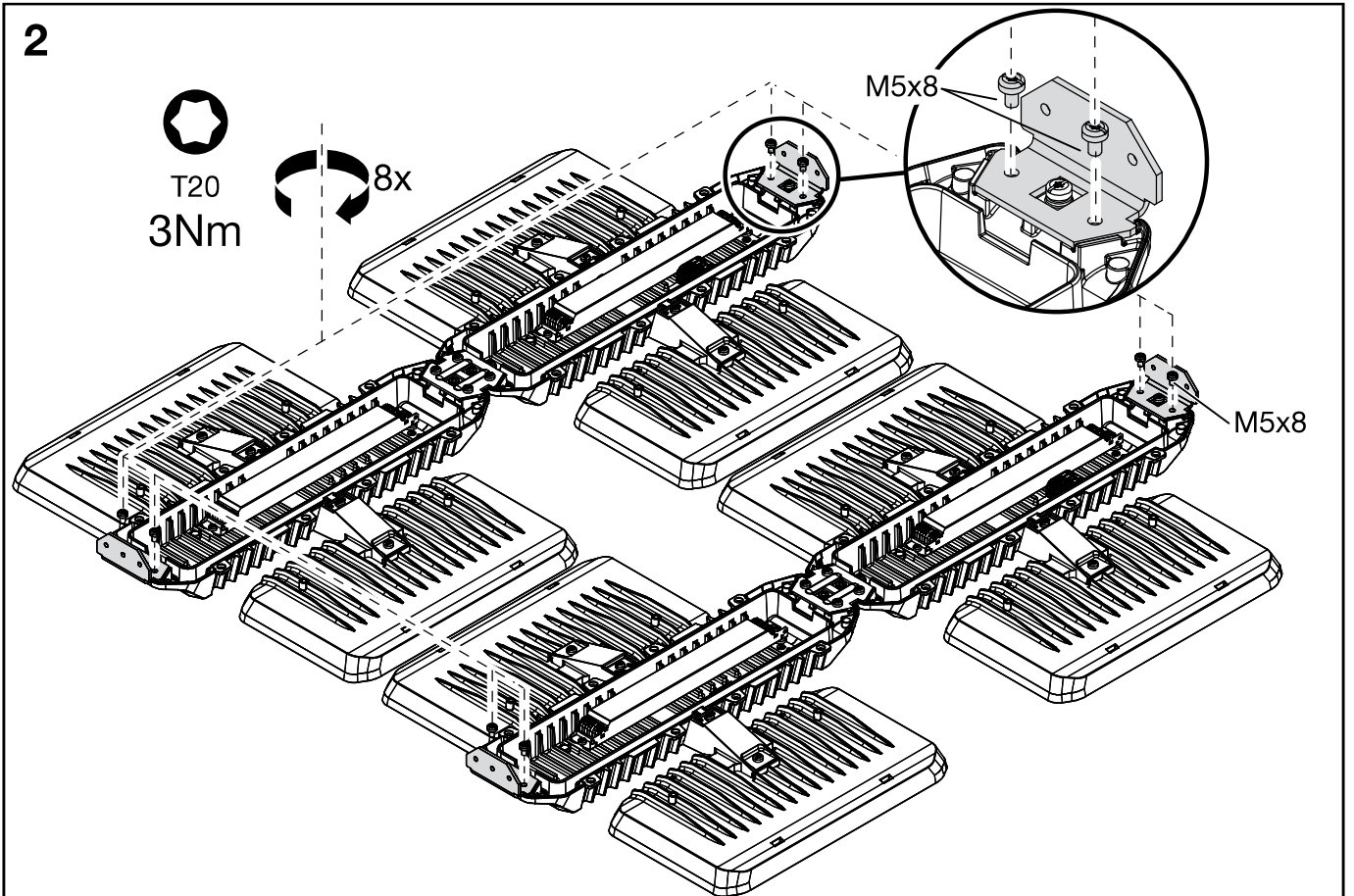


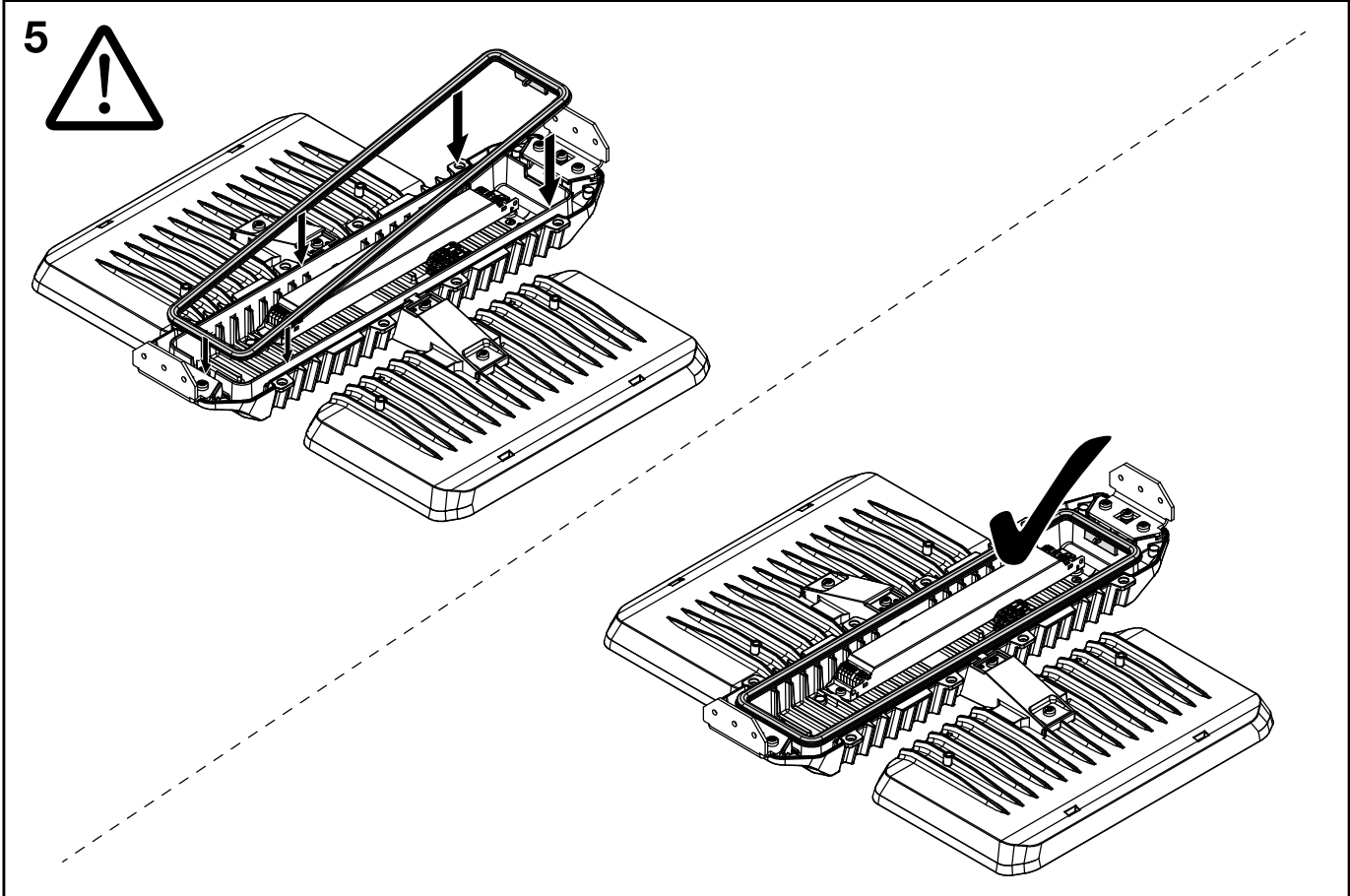
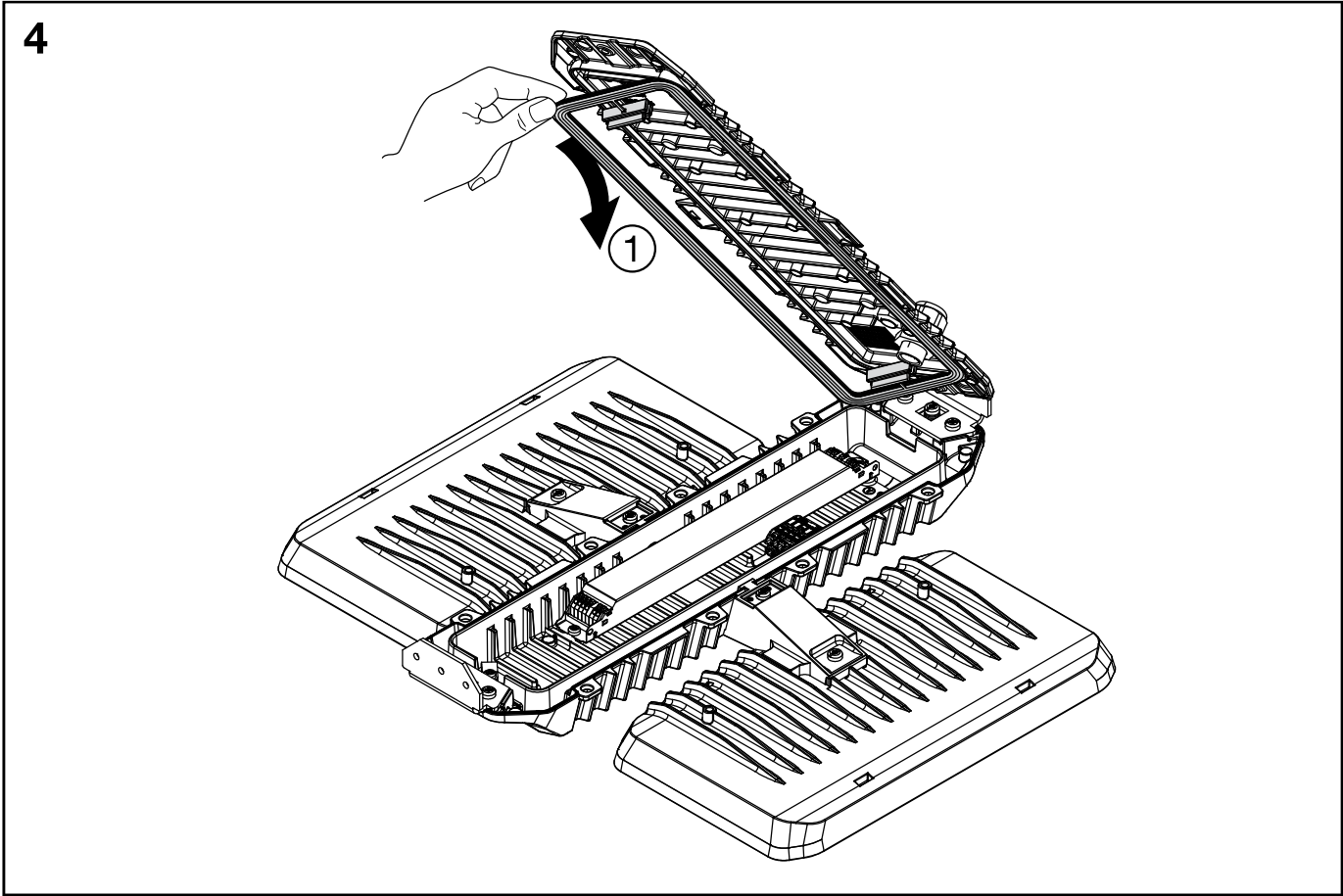
**59HL92005**

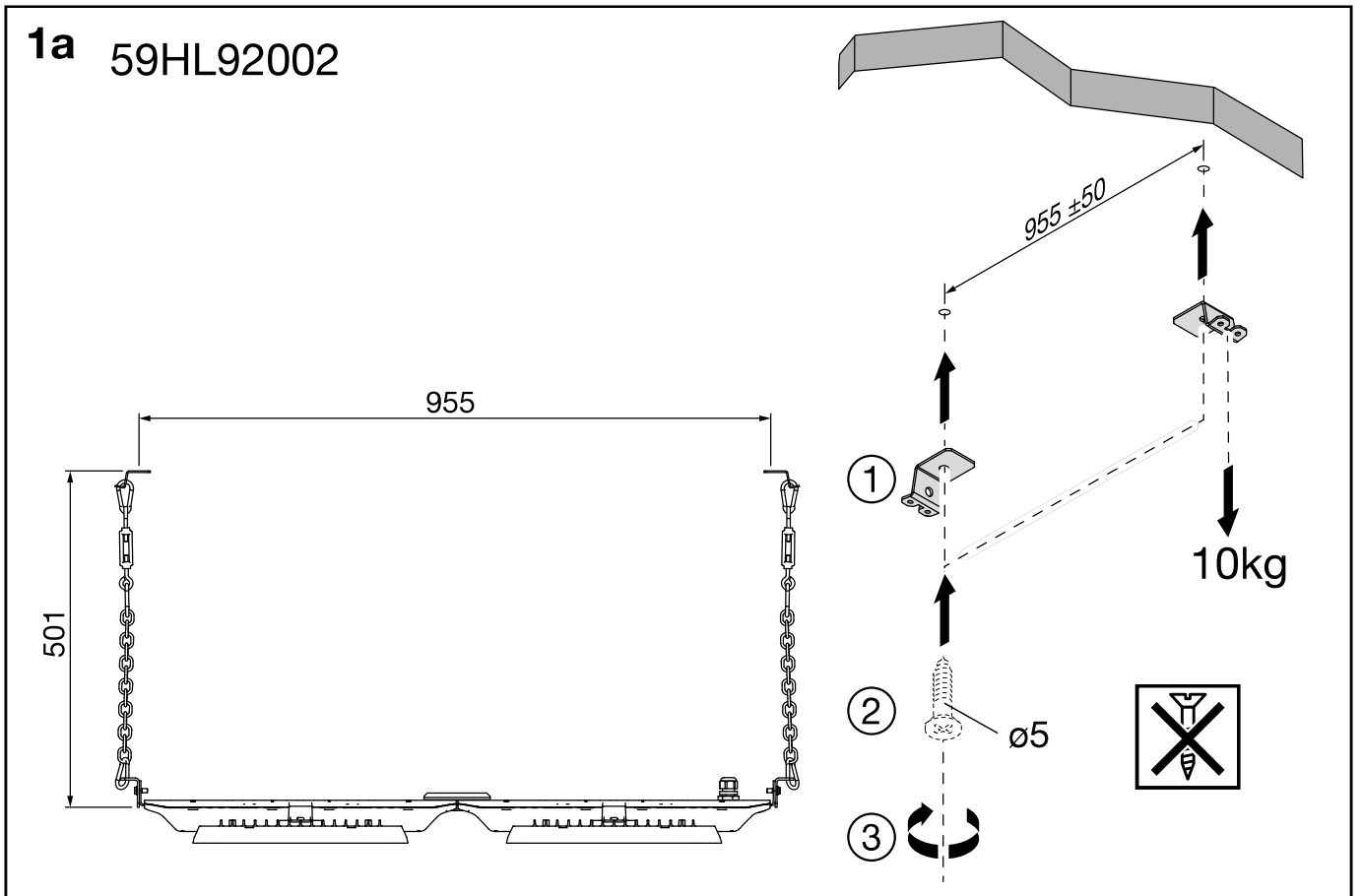
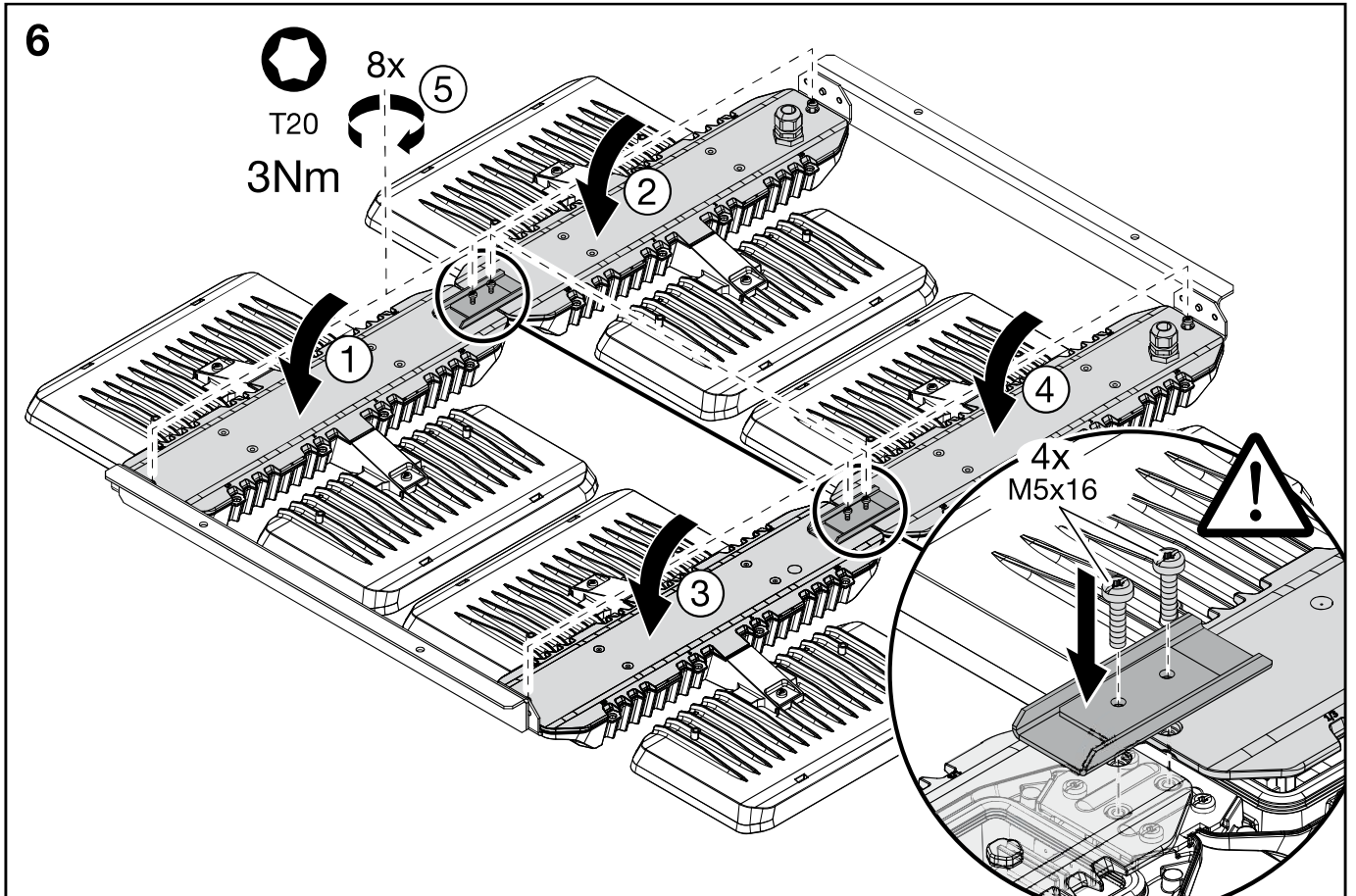




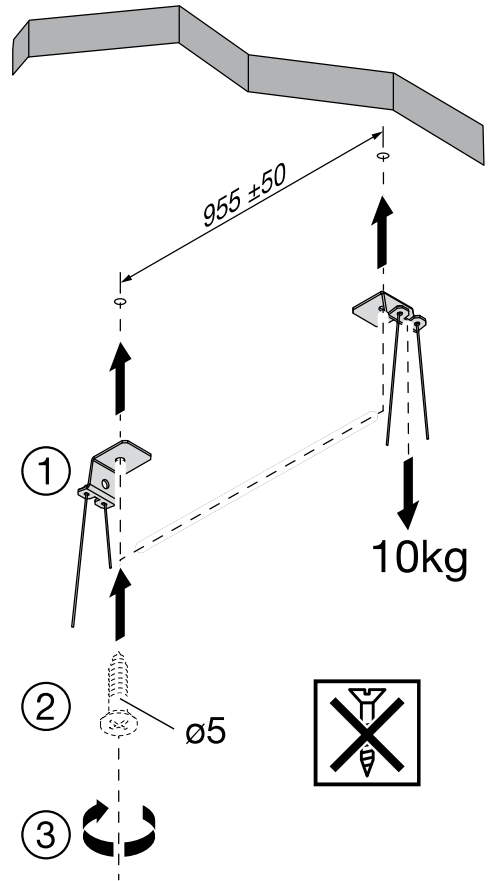
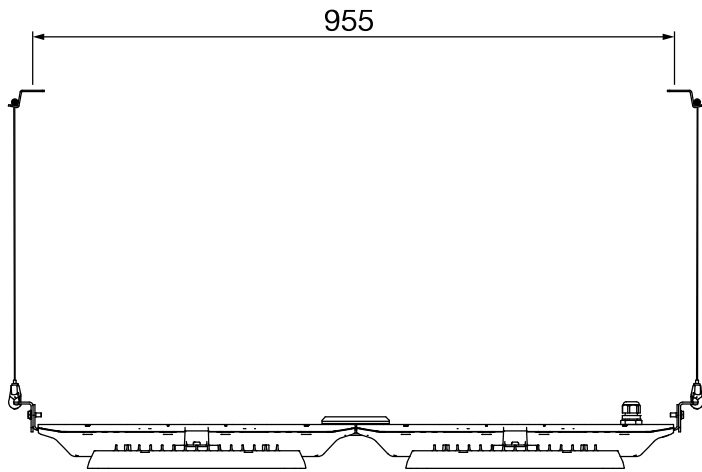




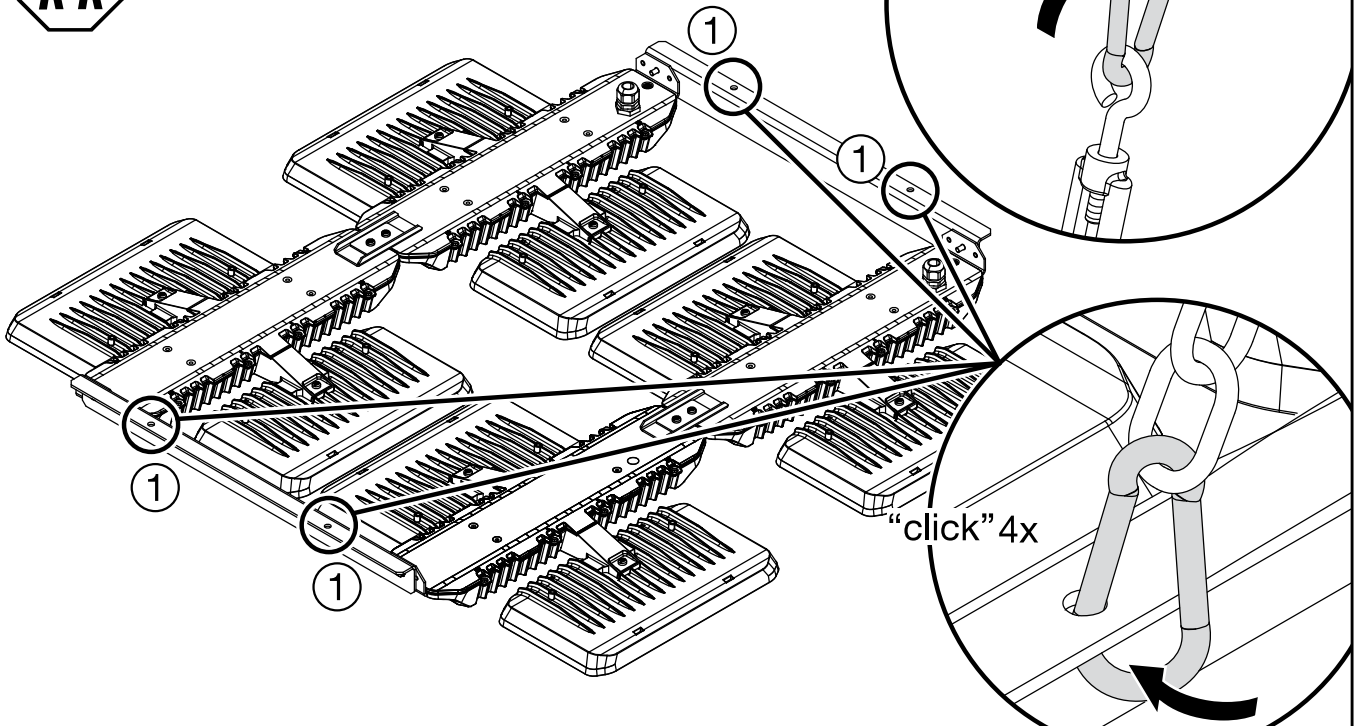




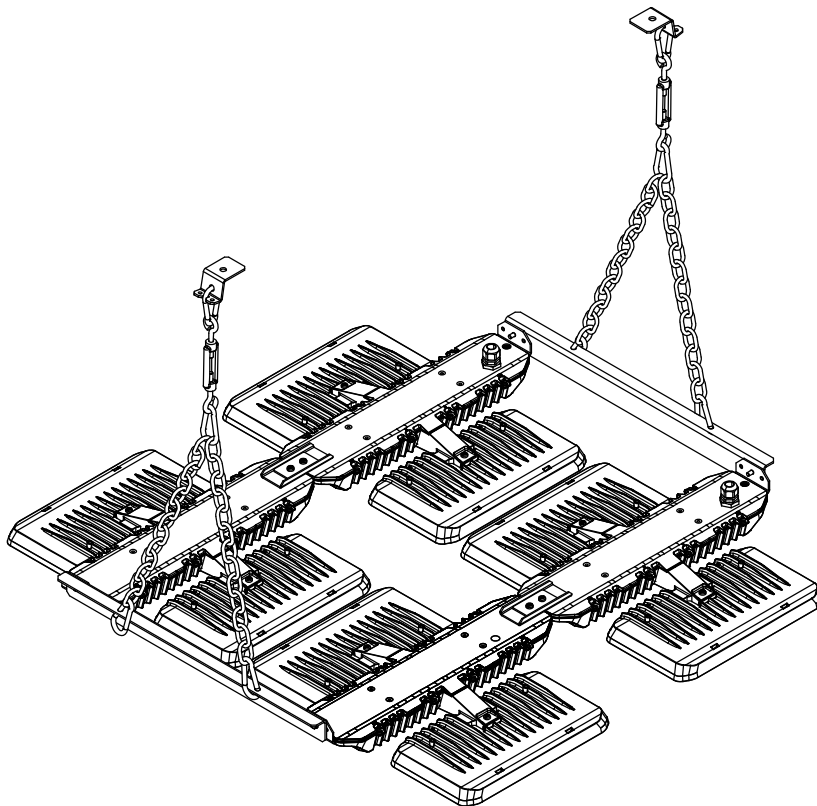
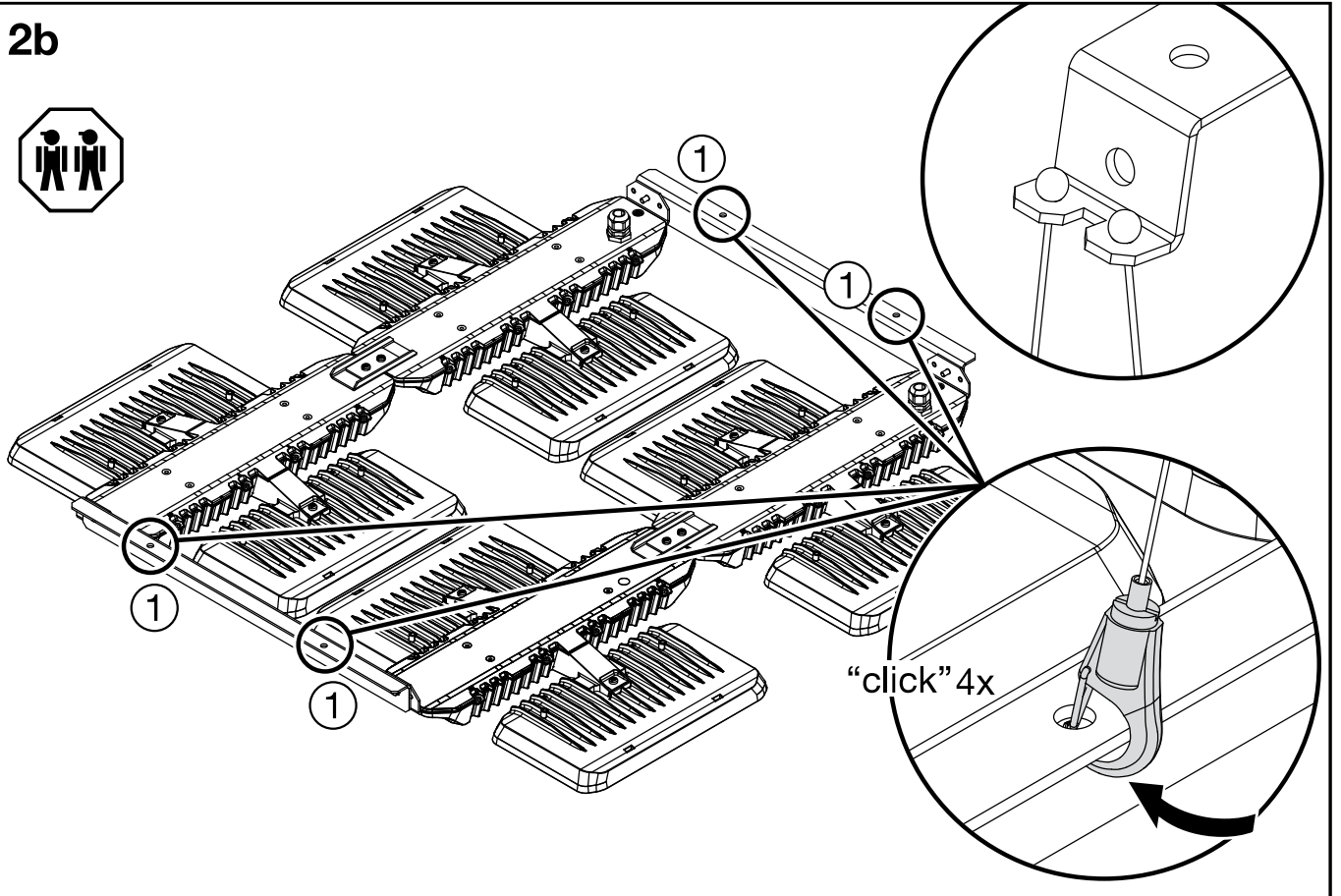
**1b** 59HL92005



**2a**



2b



5MA39-255817\_ae  
10.11.2020 / PZ

Siteco GmbH  
Georg-Simon-Ohm-Straße 50  
83301 Traunreut, Germany  
mail: [technicalsupport@siteco.de](mailto:technicalsupport@siteco.de)  
Phone: +49 8669 / 33-844  
[www.siteco.com](http://www.siteco.com)