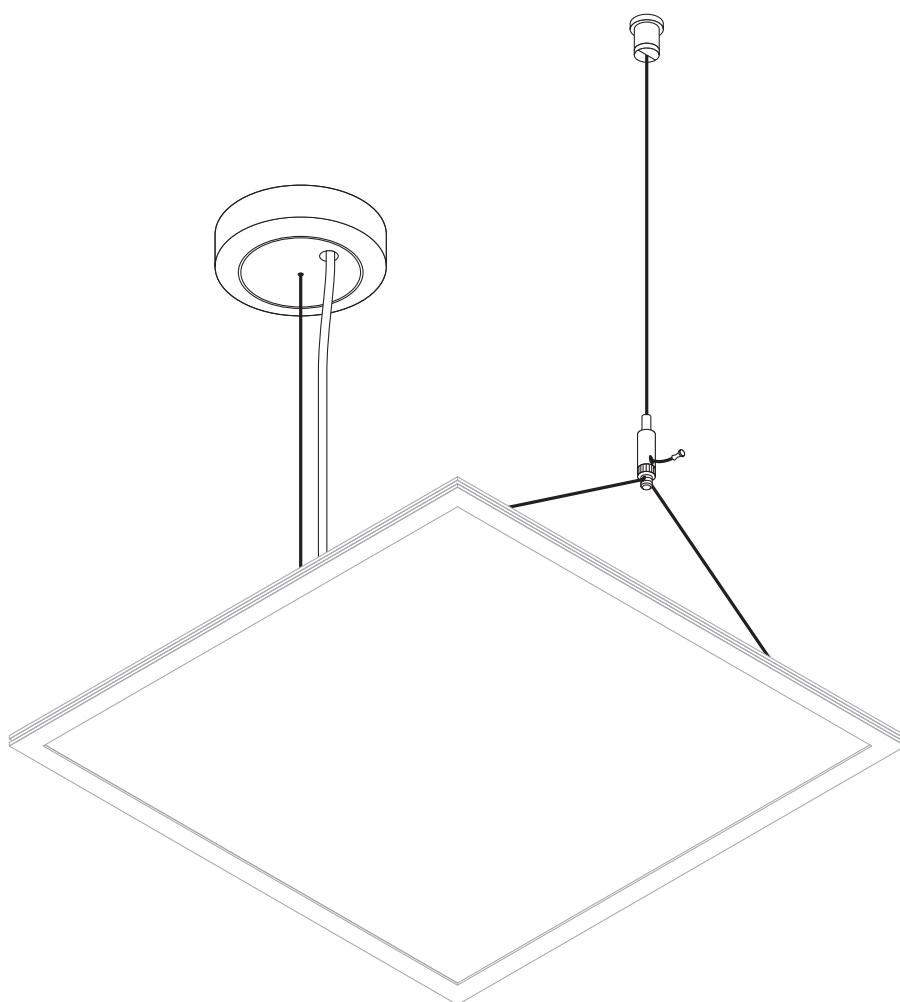


A POLLON[®] Square Generation 2

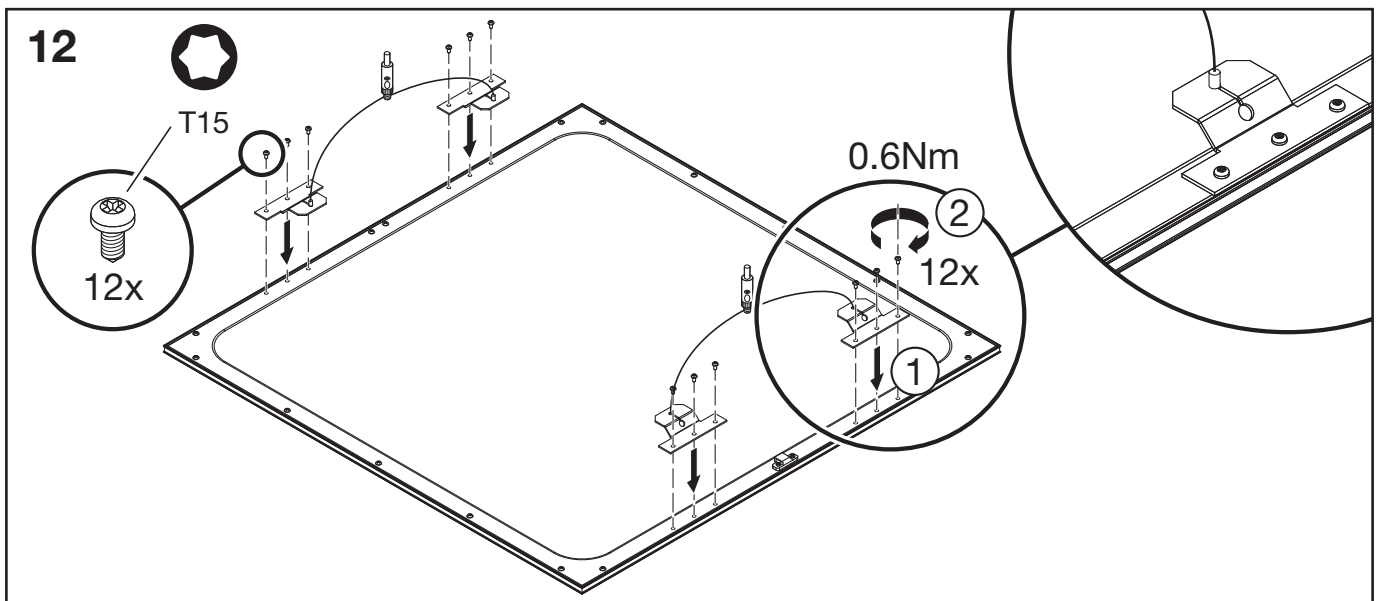
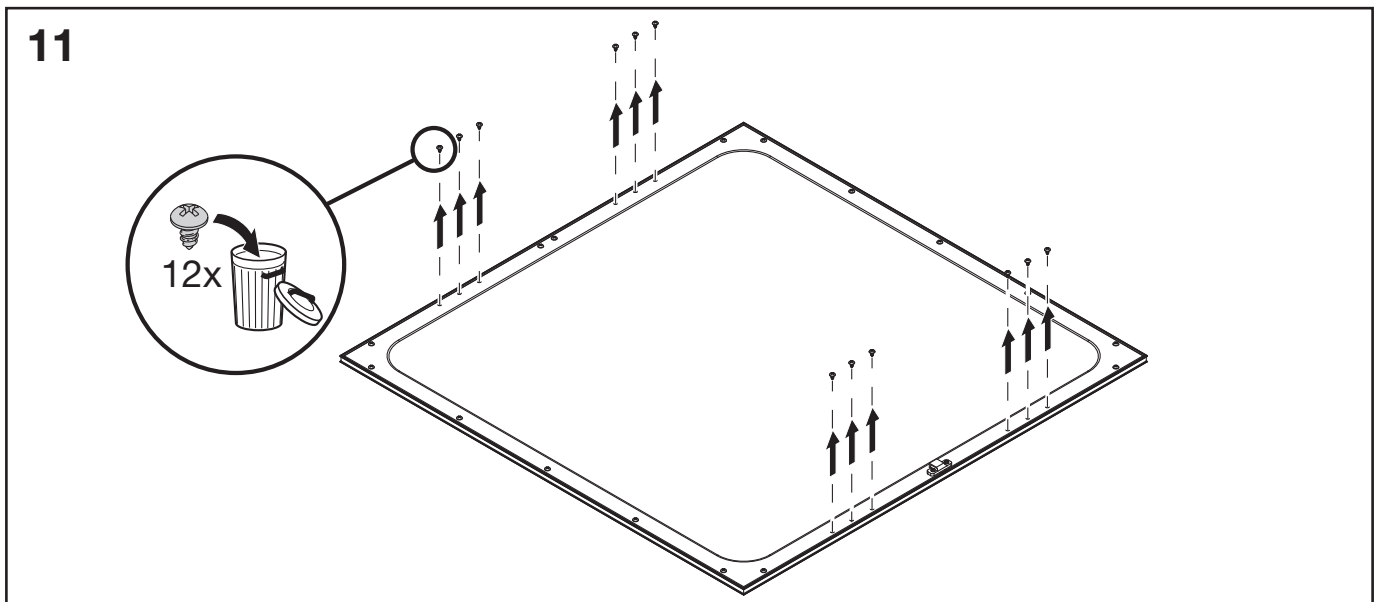
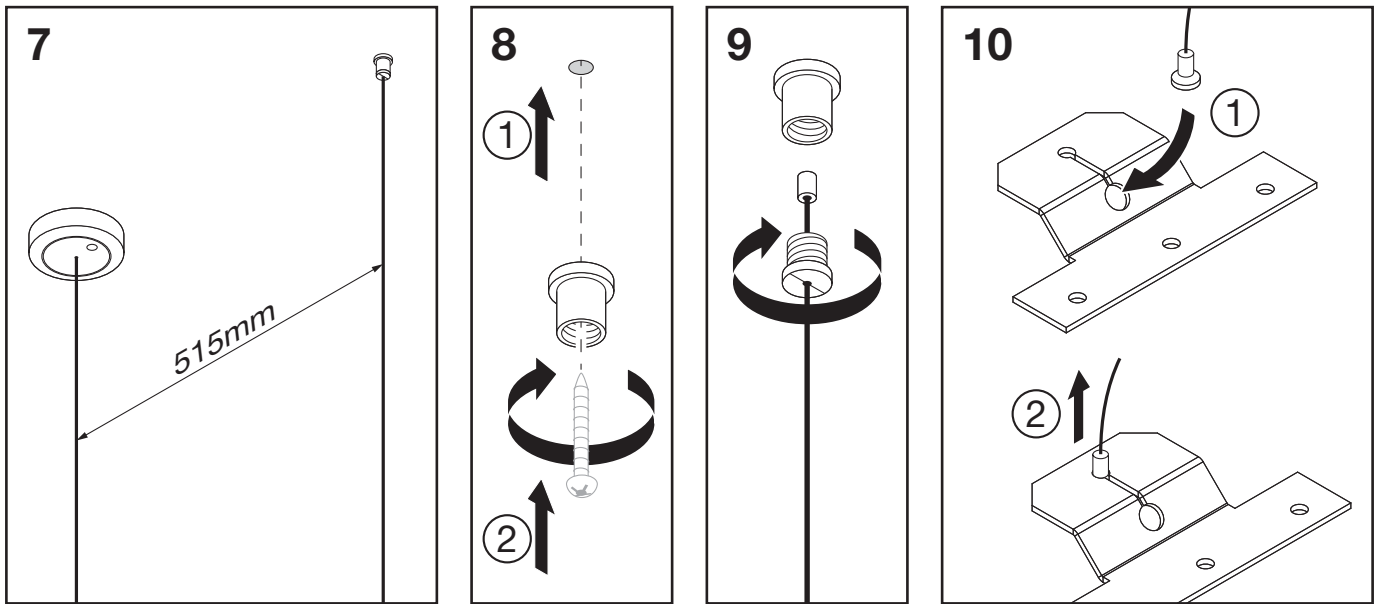
Suspension Kit
On/Off - DALI

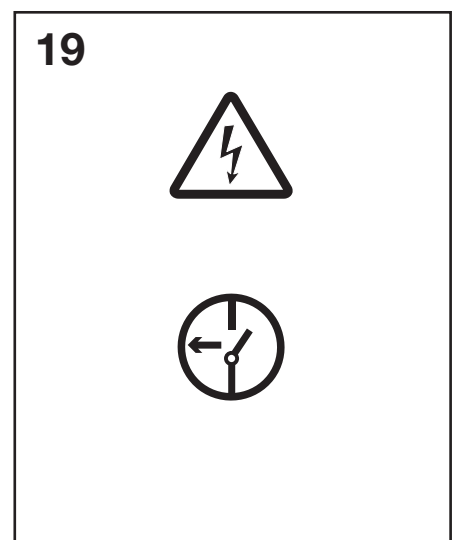
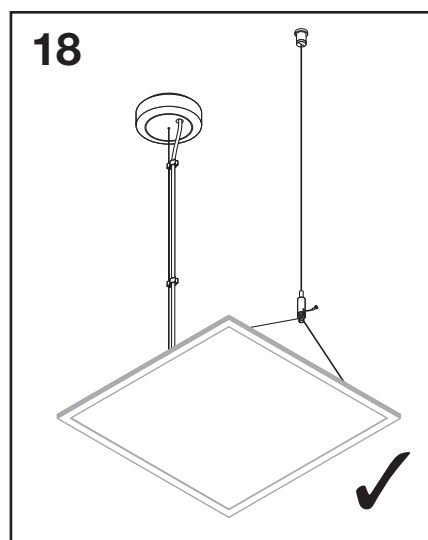
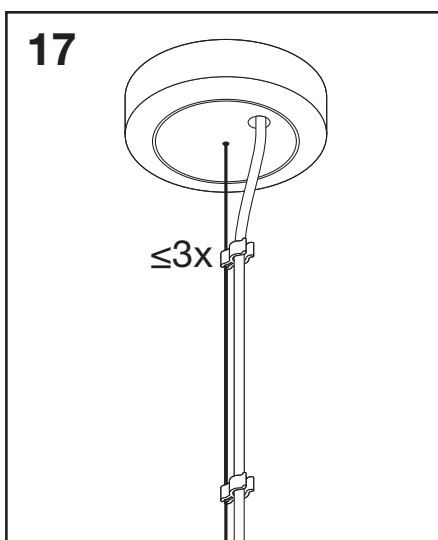
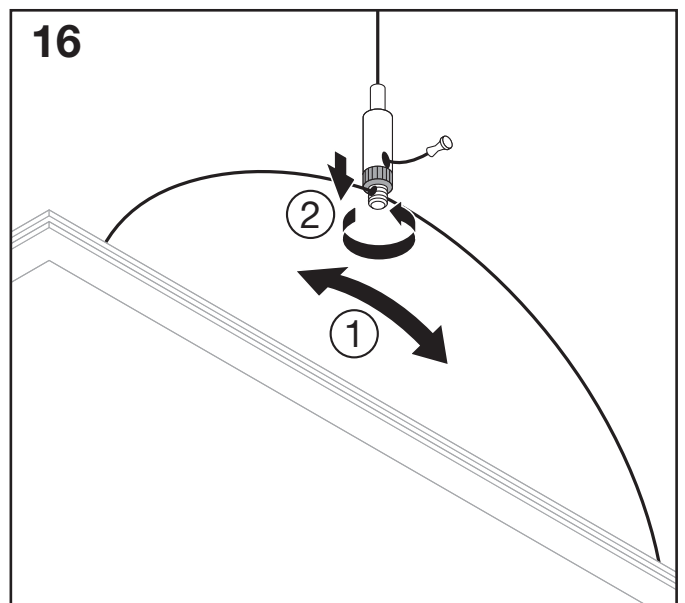
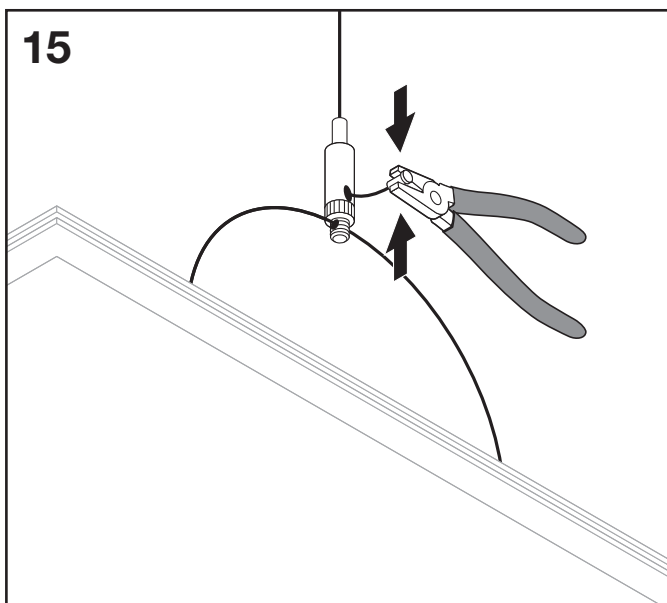
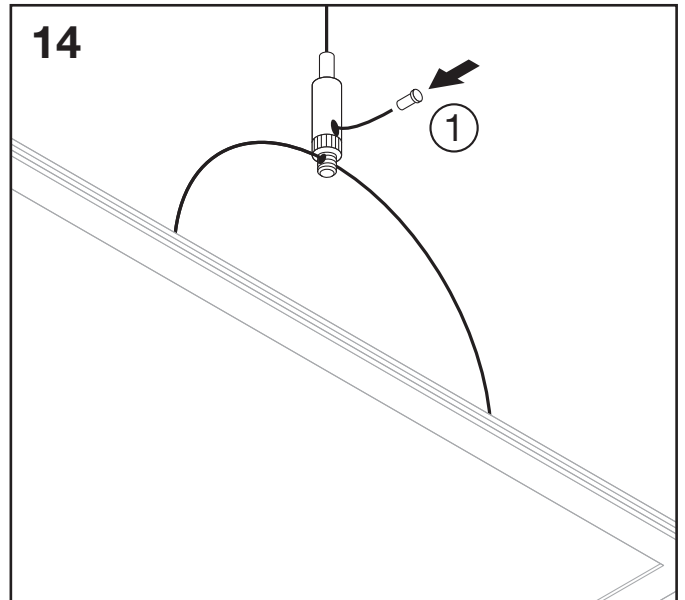
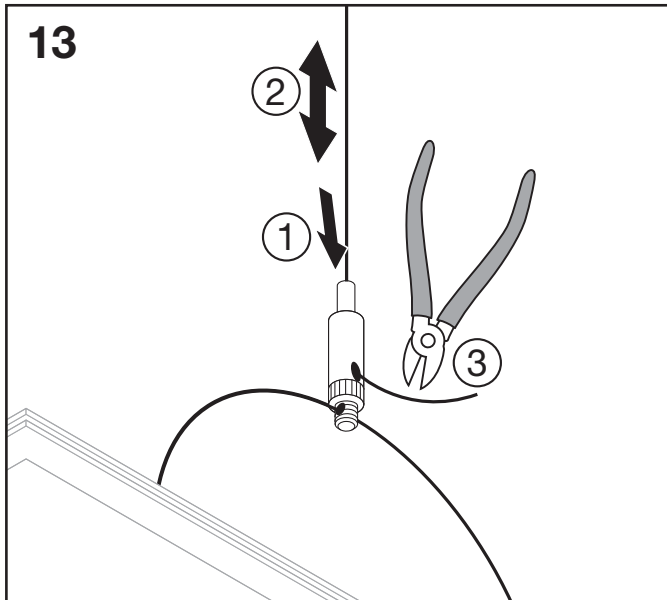
59MQ31000021

59MQ32000021



siteco





5MA24-255694_ae
10.11.2021 / KIN

Siteco GmbH
Georg-Simon-Ohm-Straße 50
83301 Traunreut, Germany
mail: technicalsupport@siteco.de
Phone: +49 8669 / 33-844
www.siteco.com