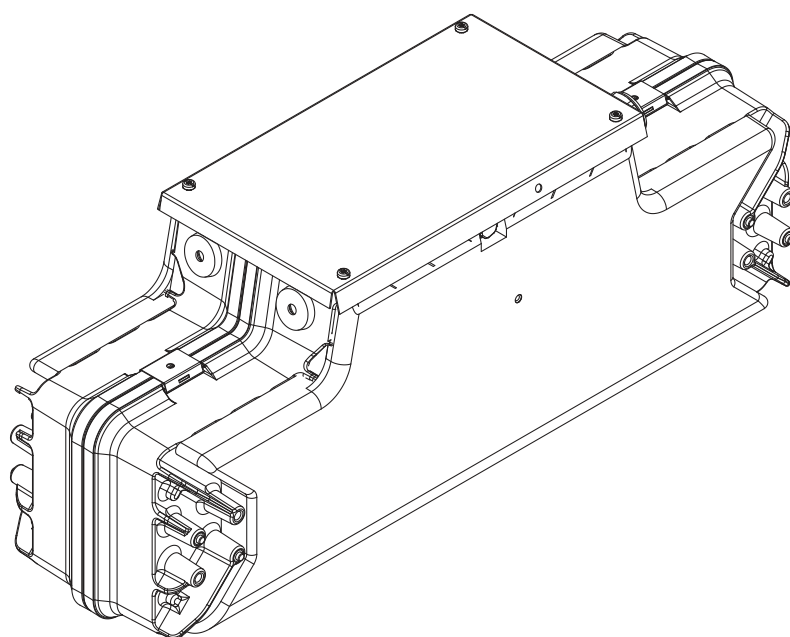


SIRIUS®

EVG-Einheit DALI / LST

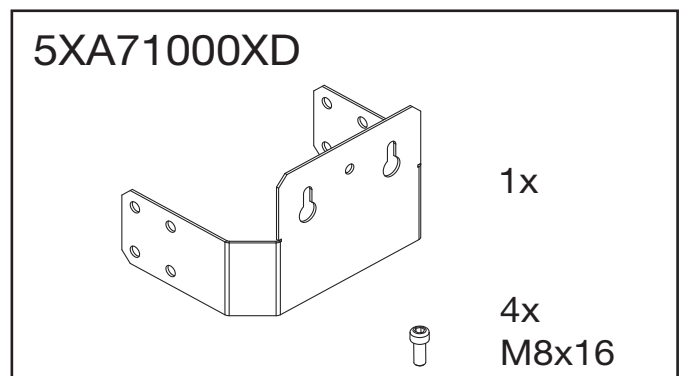
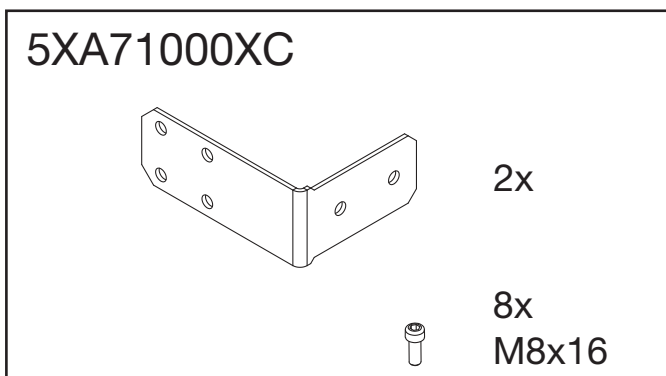
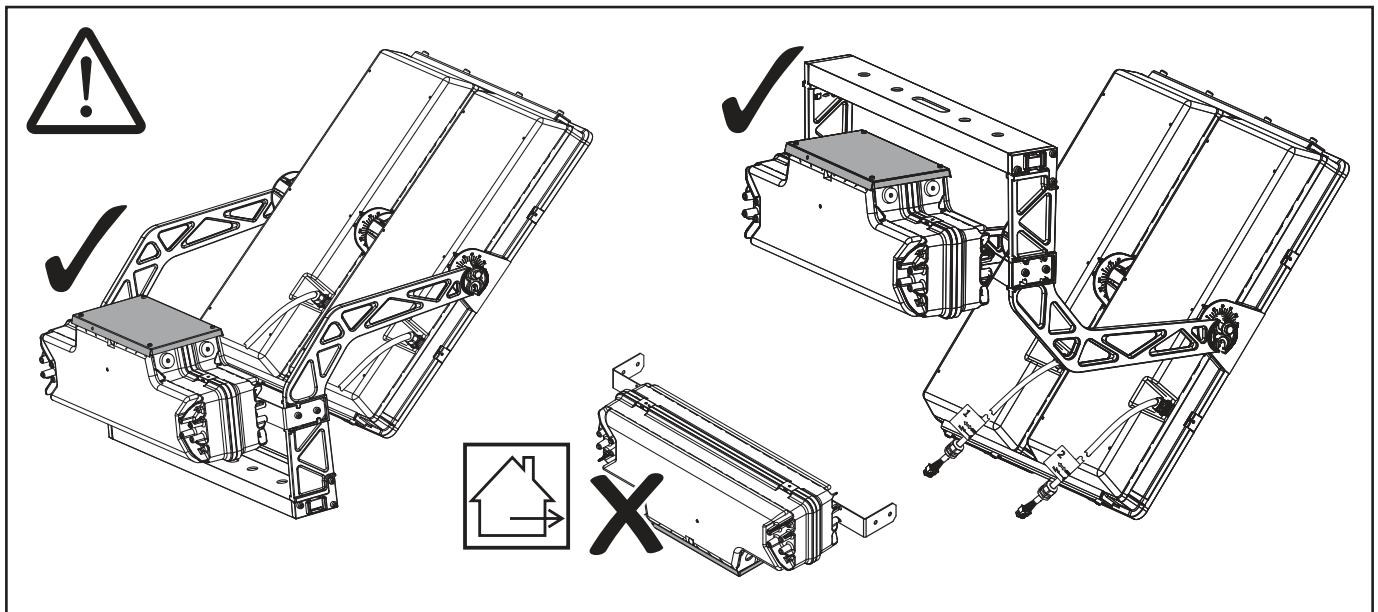
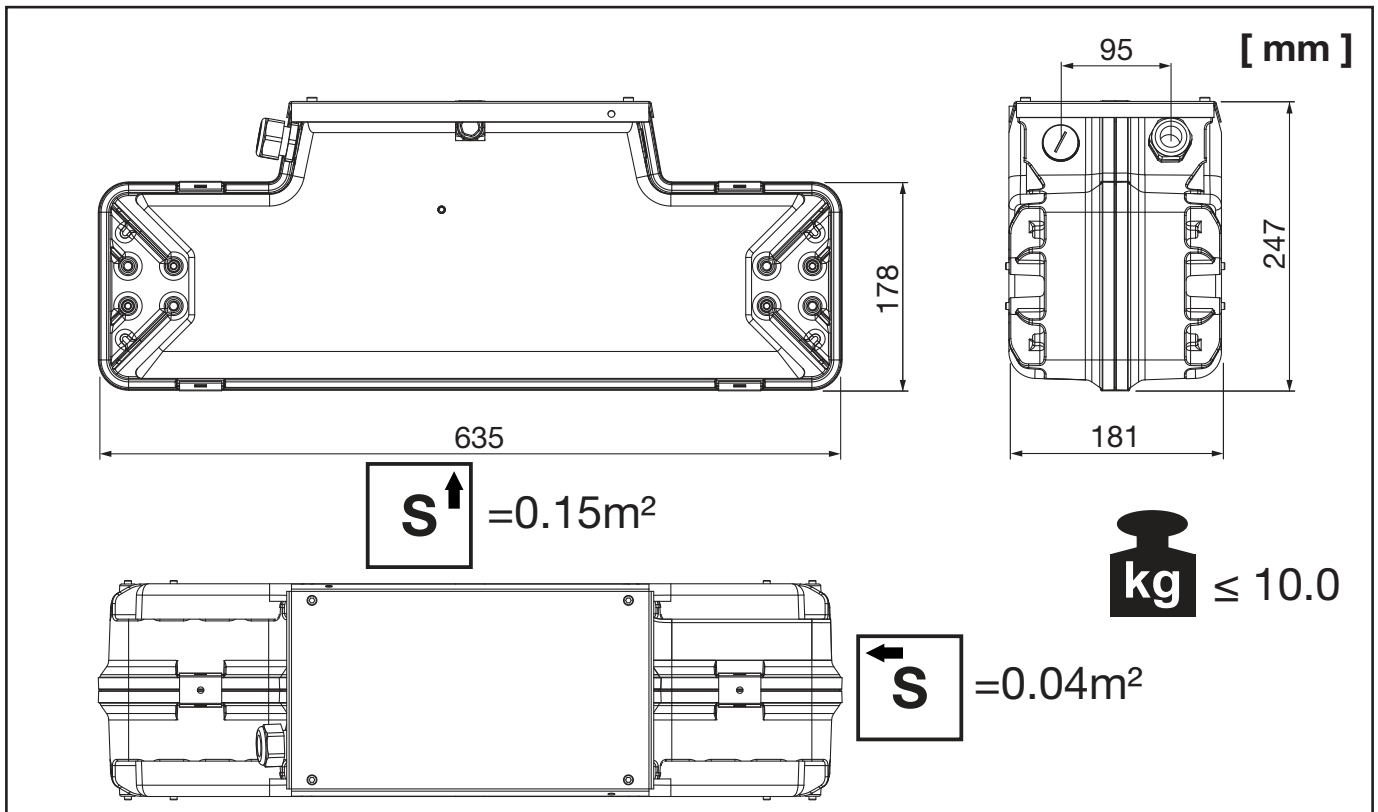
ECG unit DALI / LST

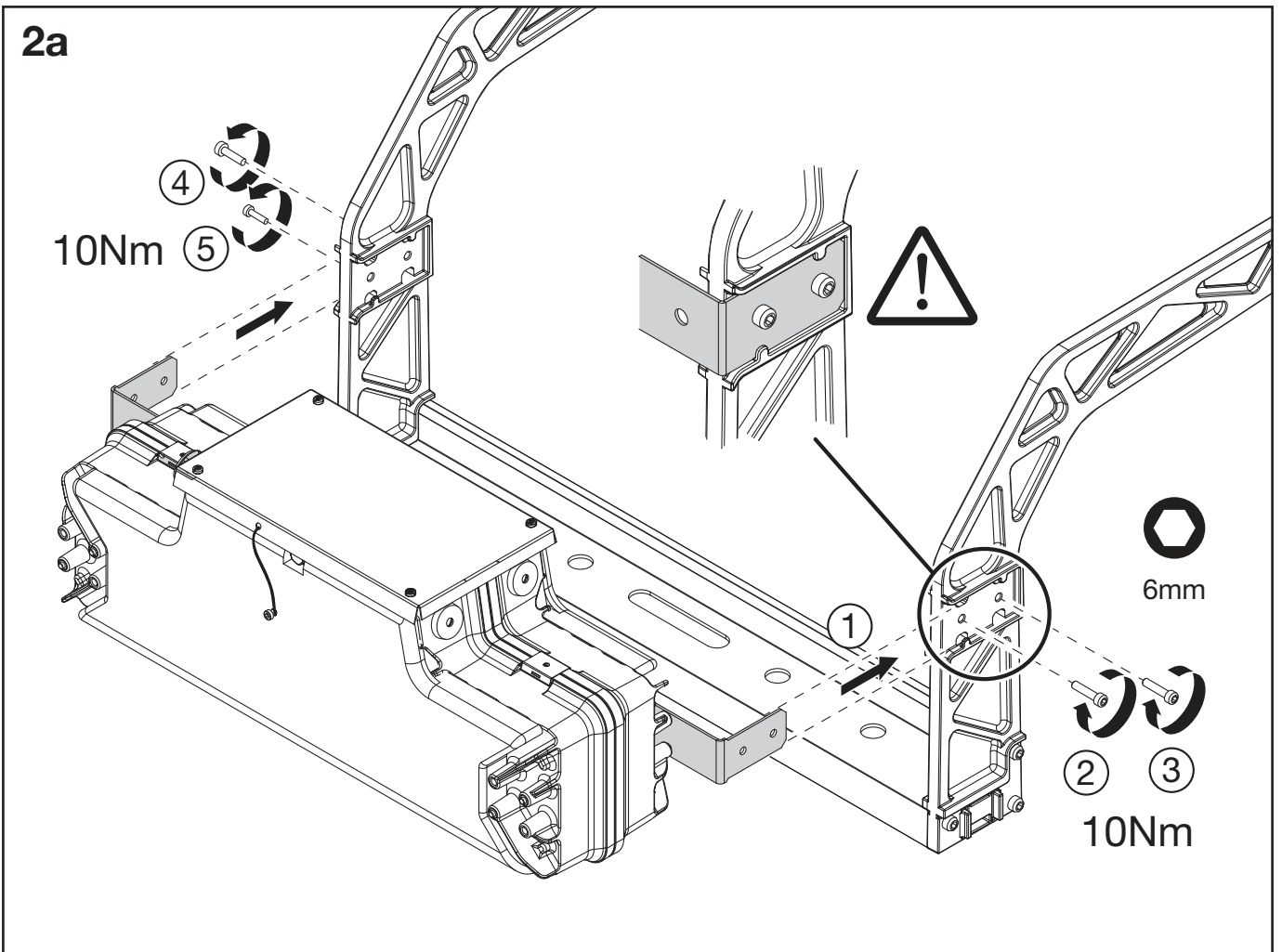
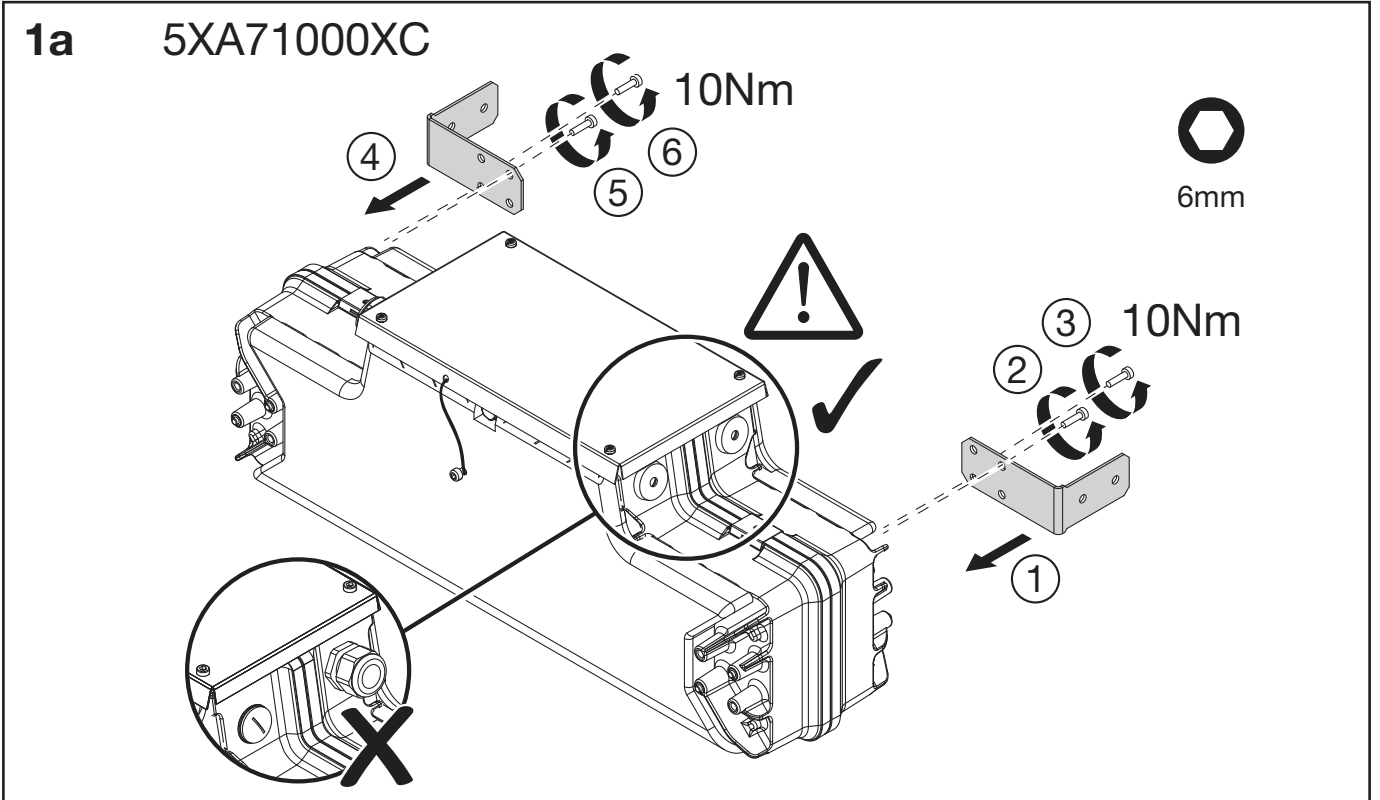
5XA7102W01000

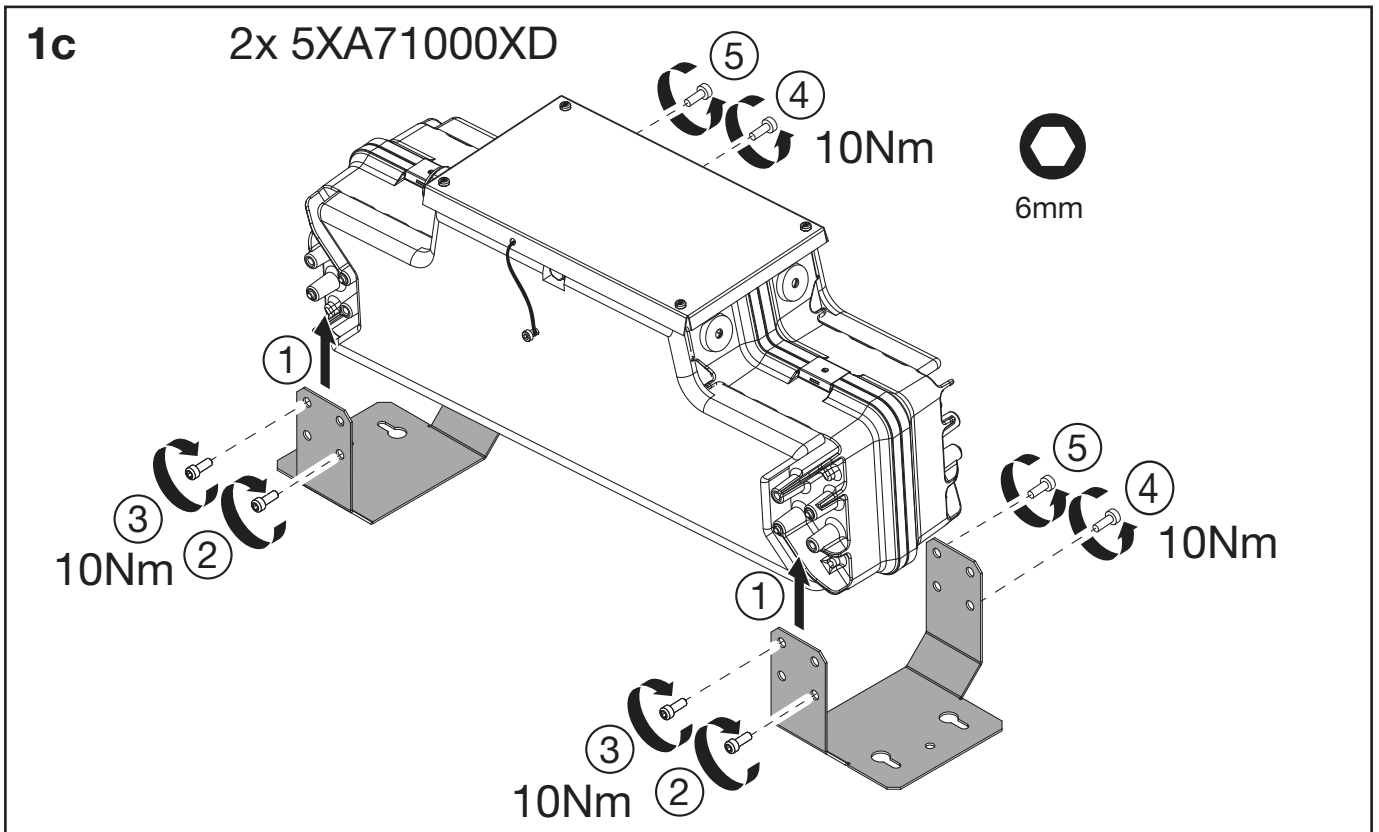
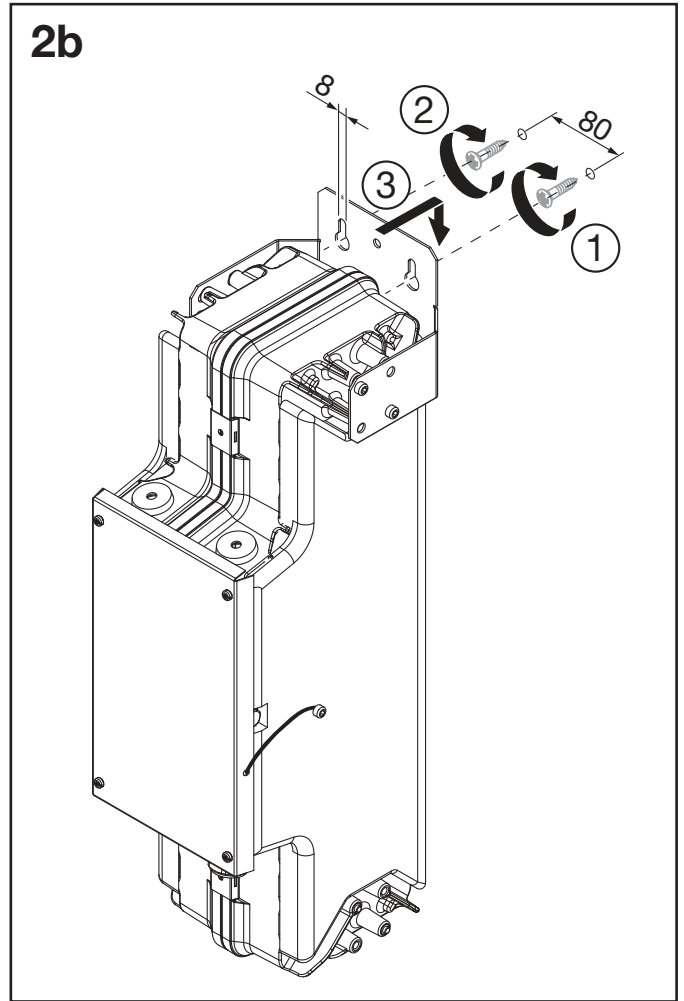
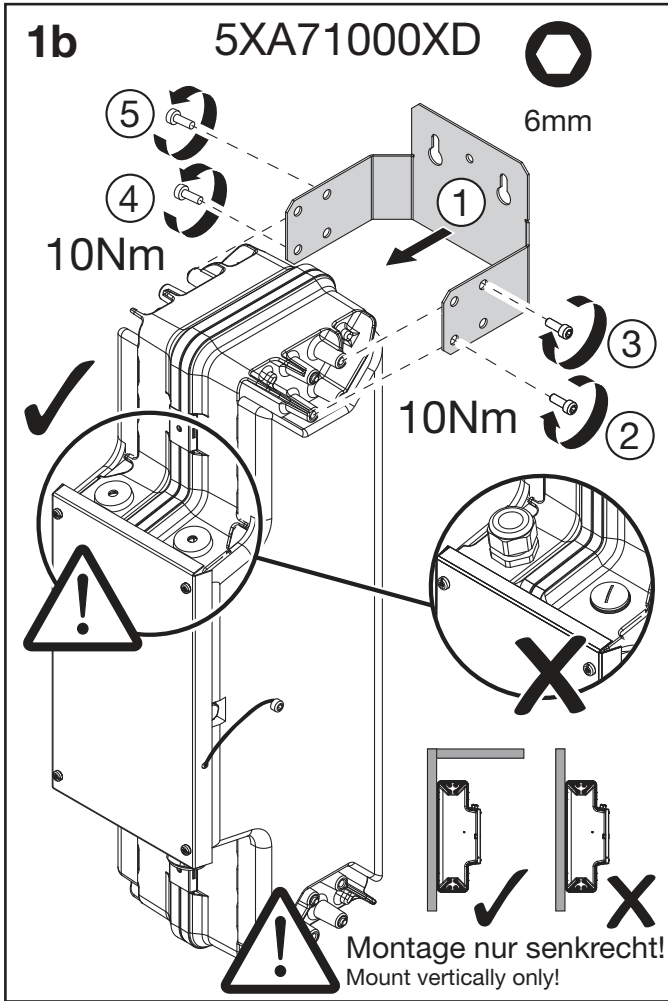


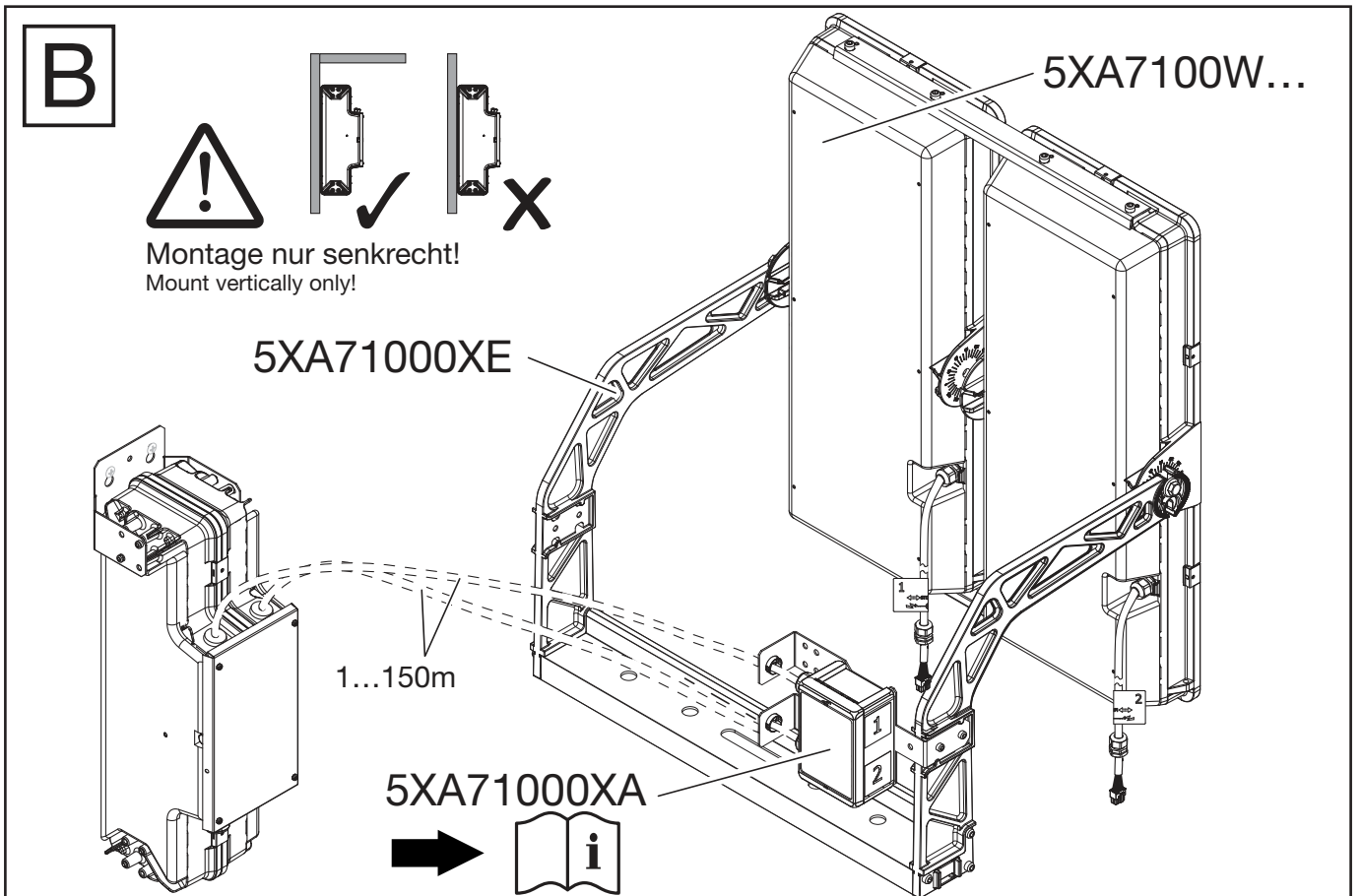
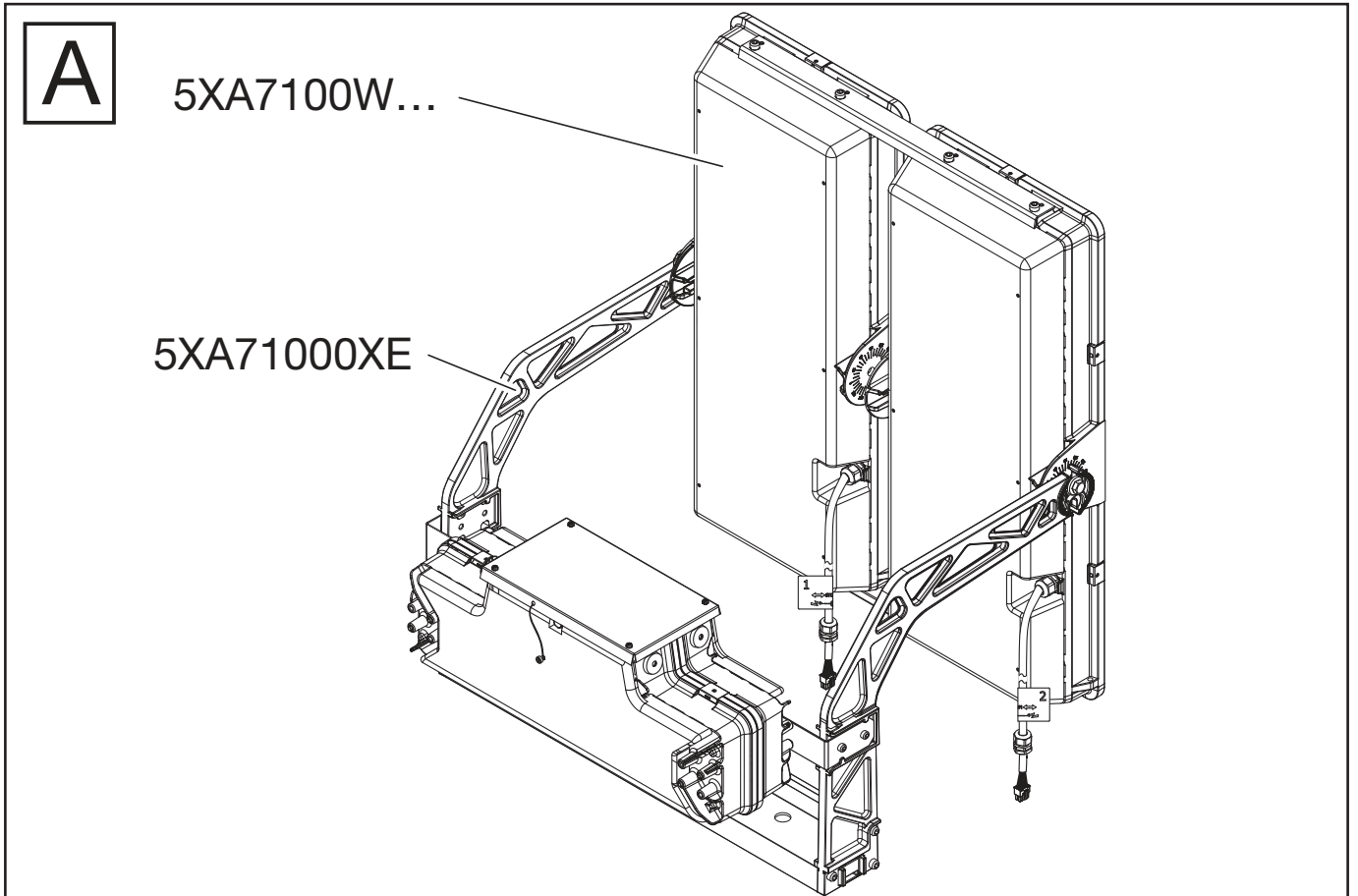
siteco

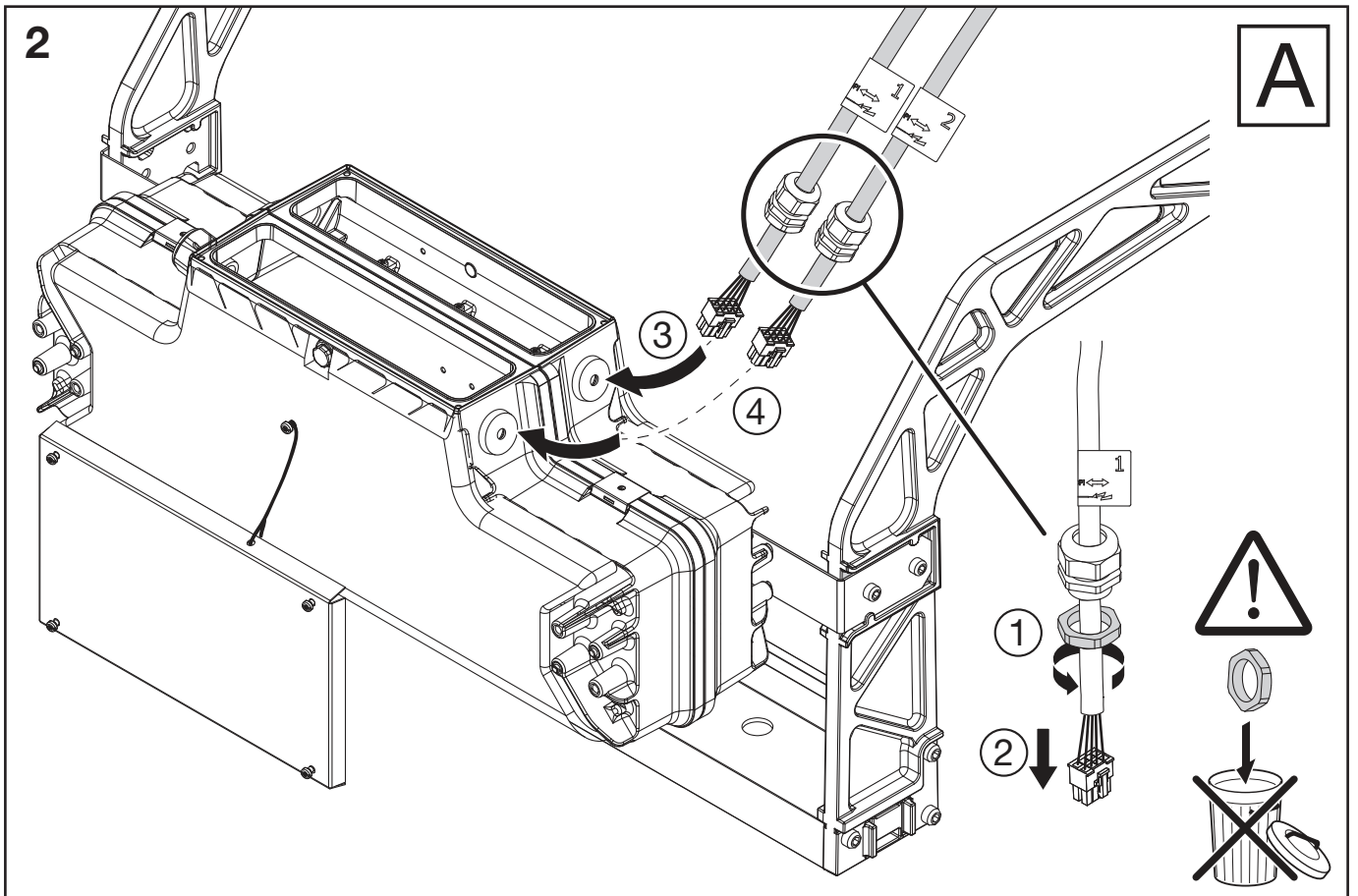
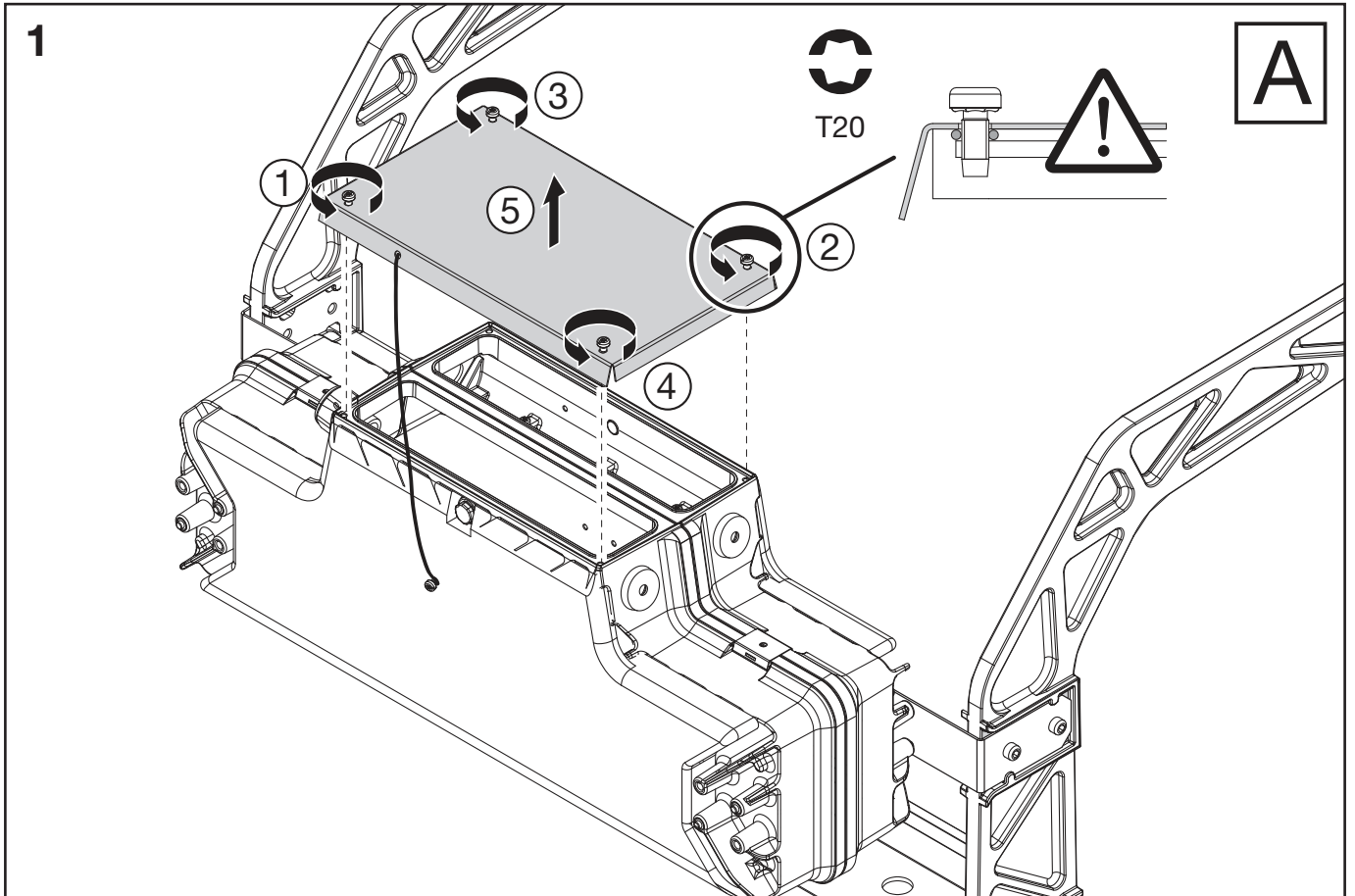
SIRIUS EVG-Einheit DALI / LST - ECG unit DALI / LST

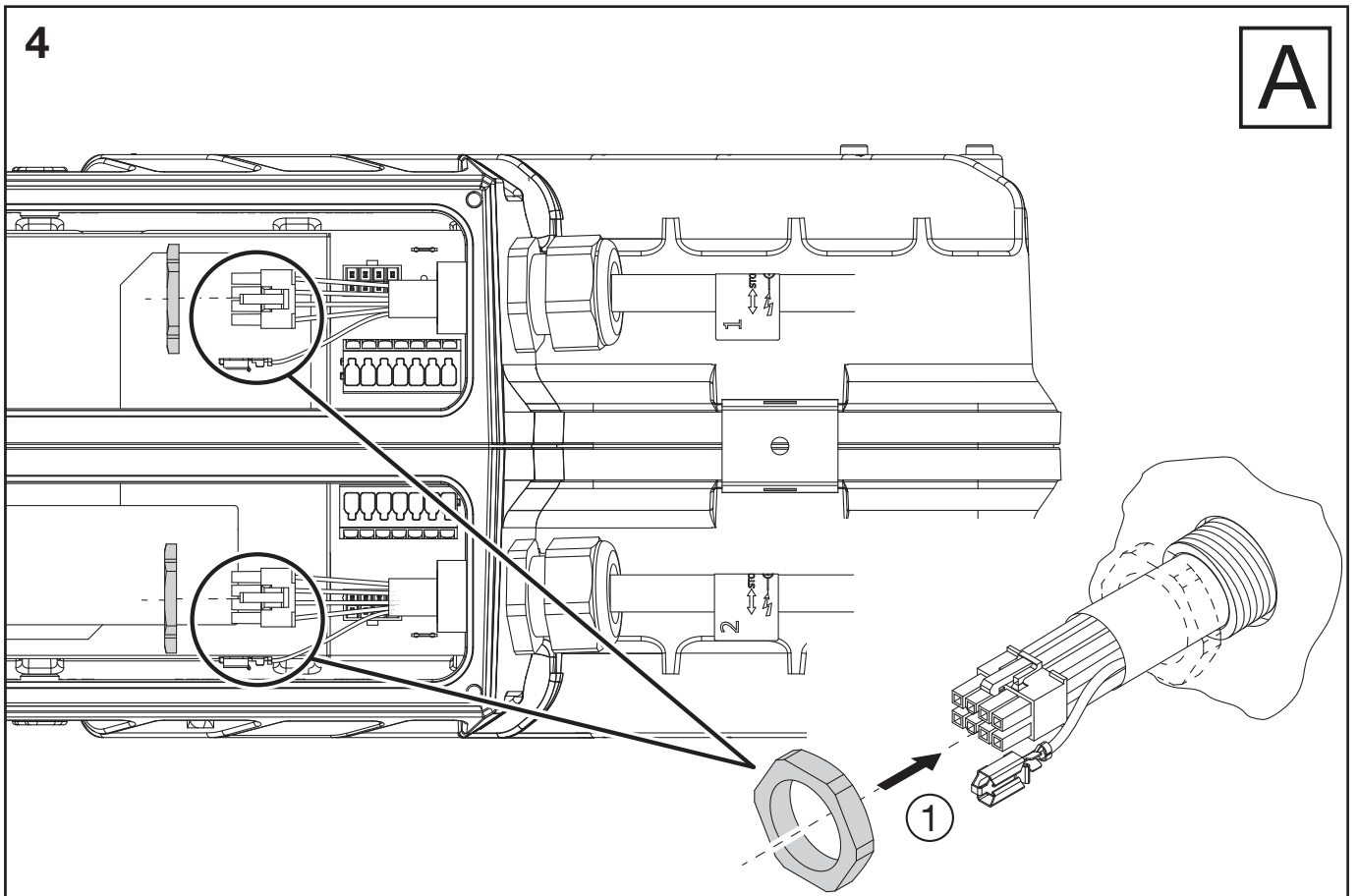
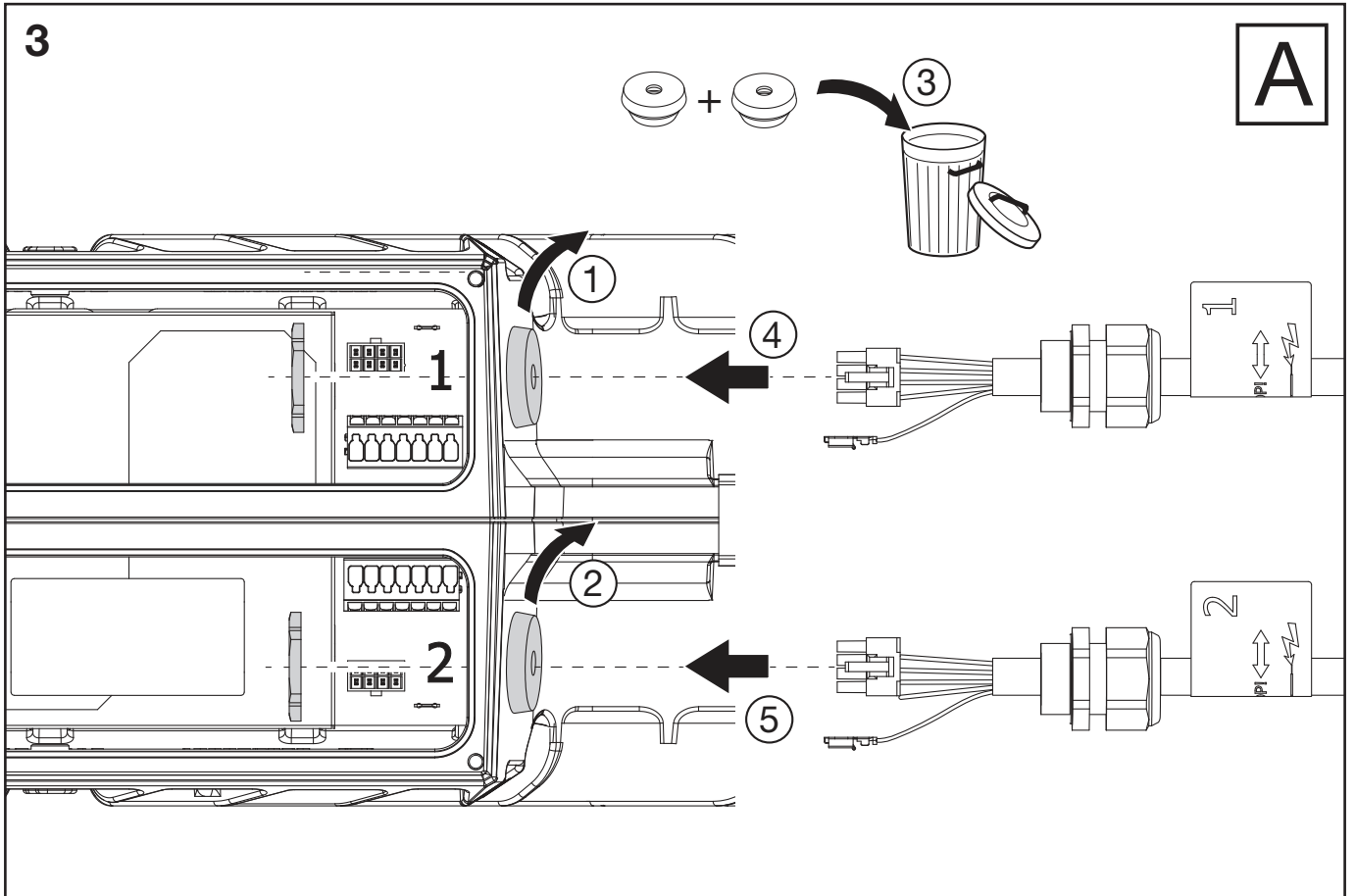


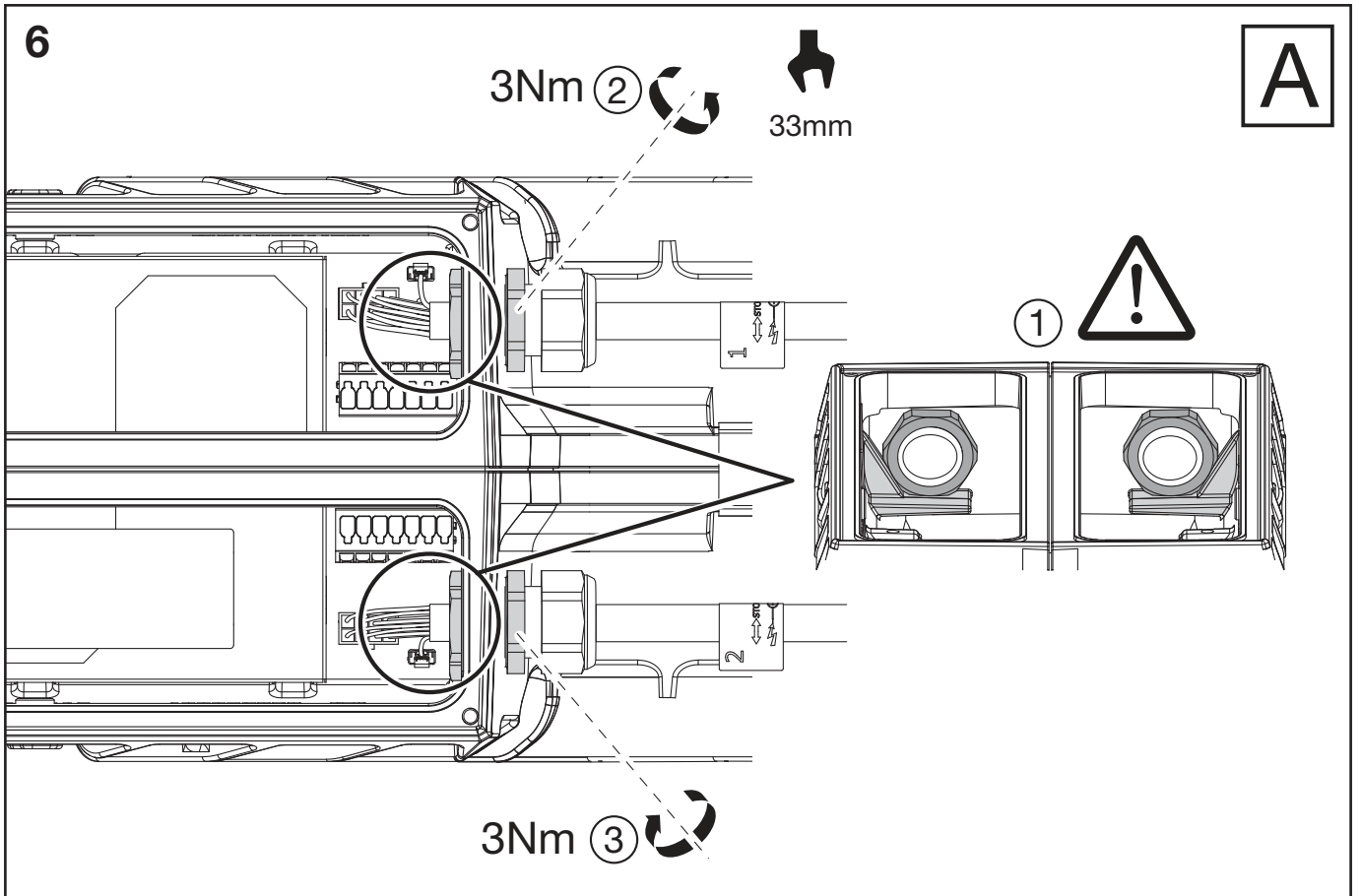
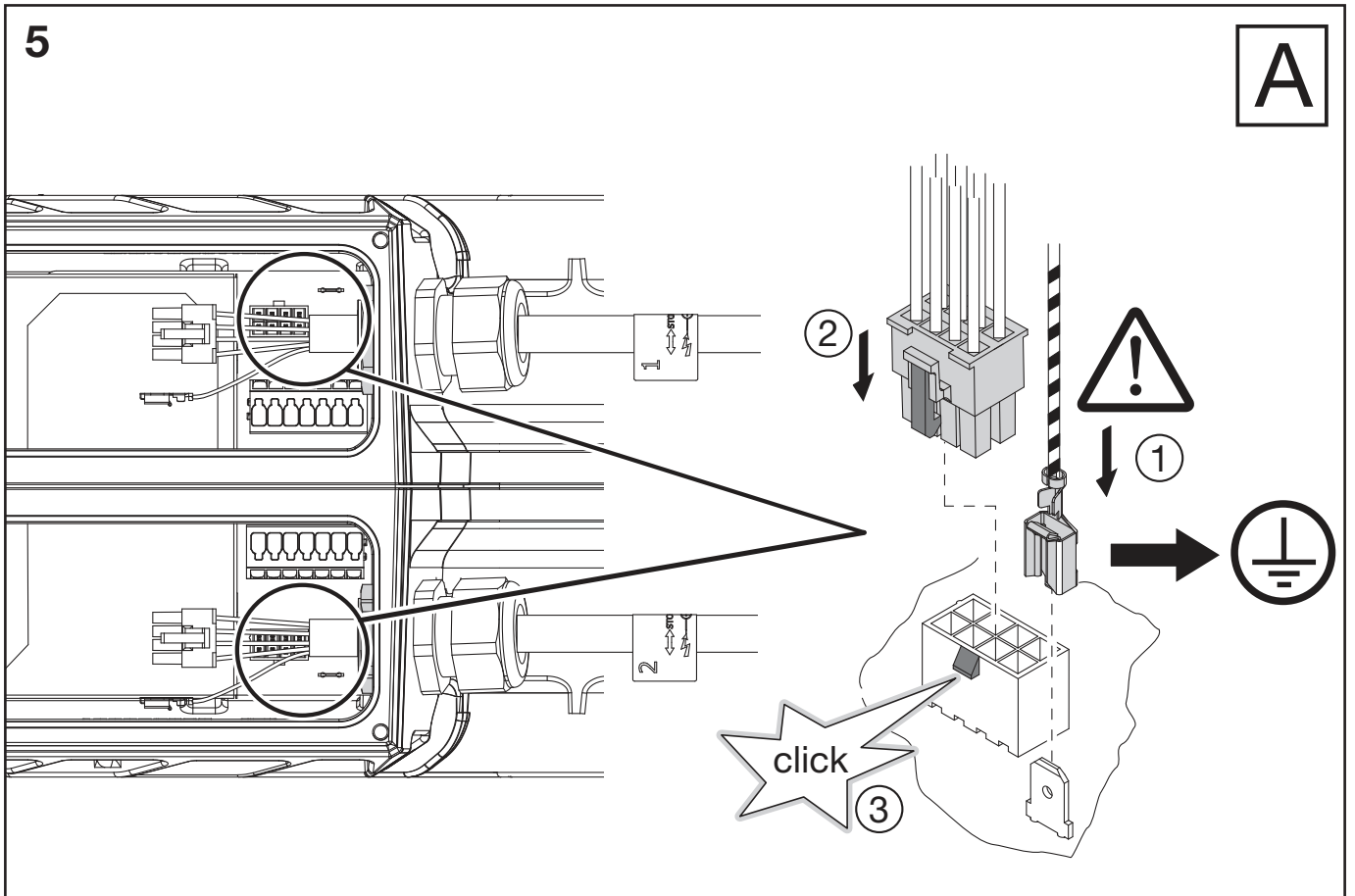


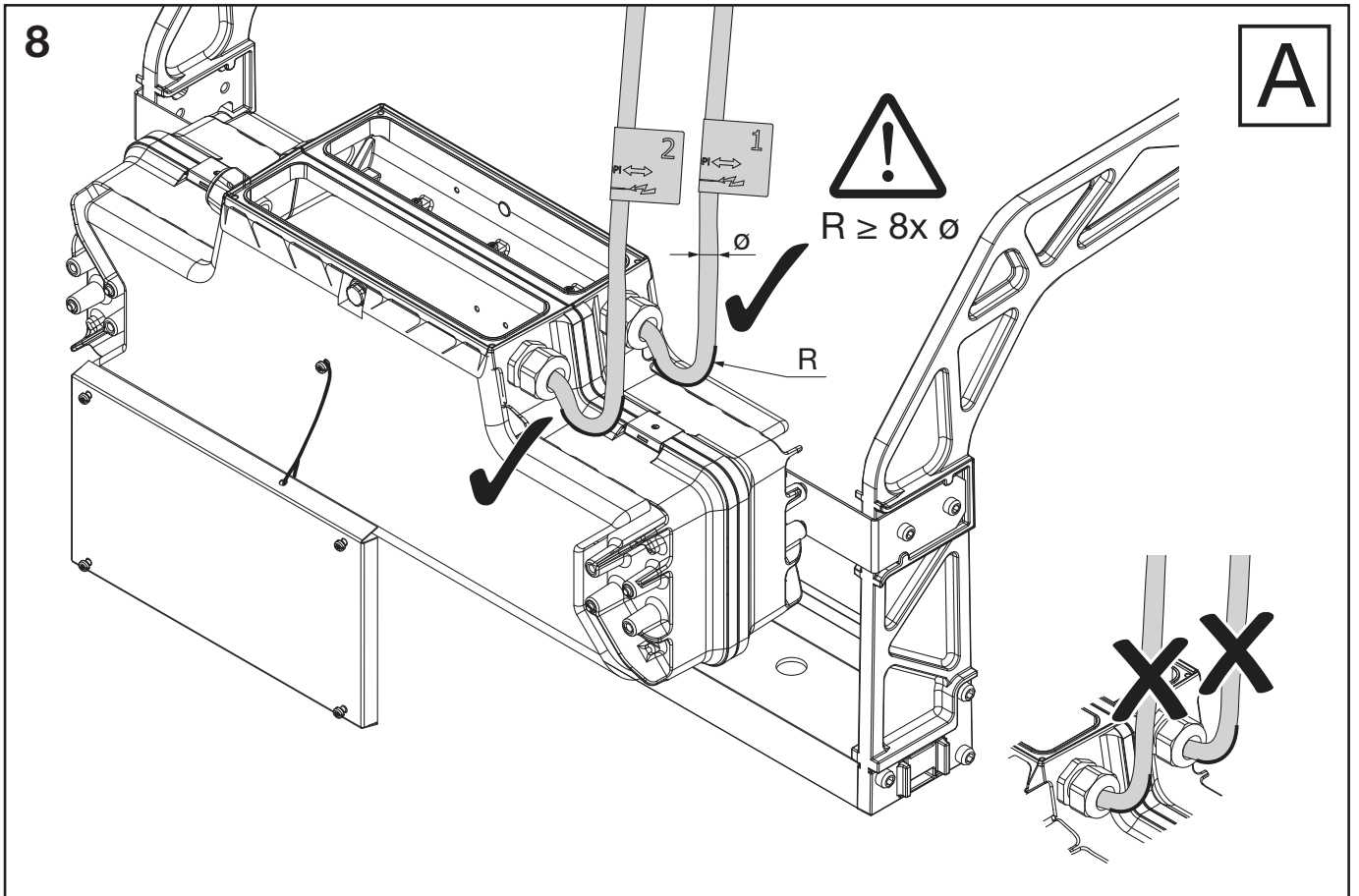
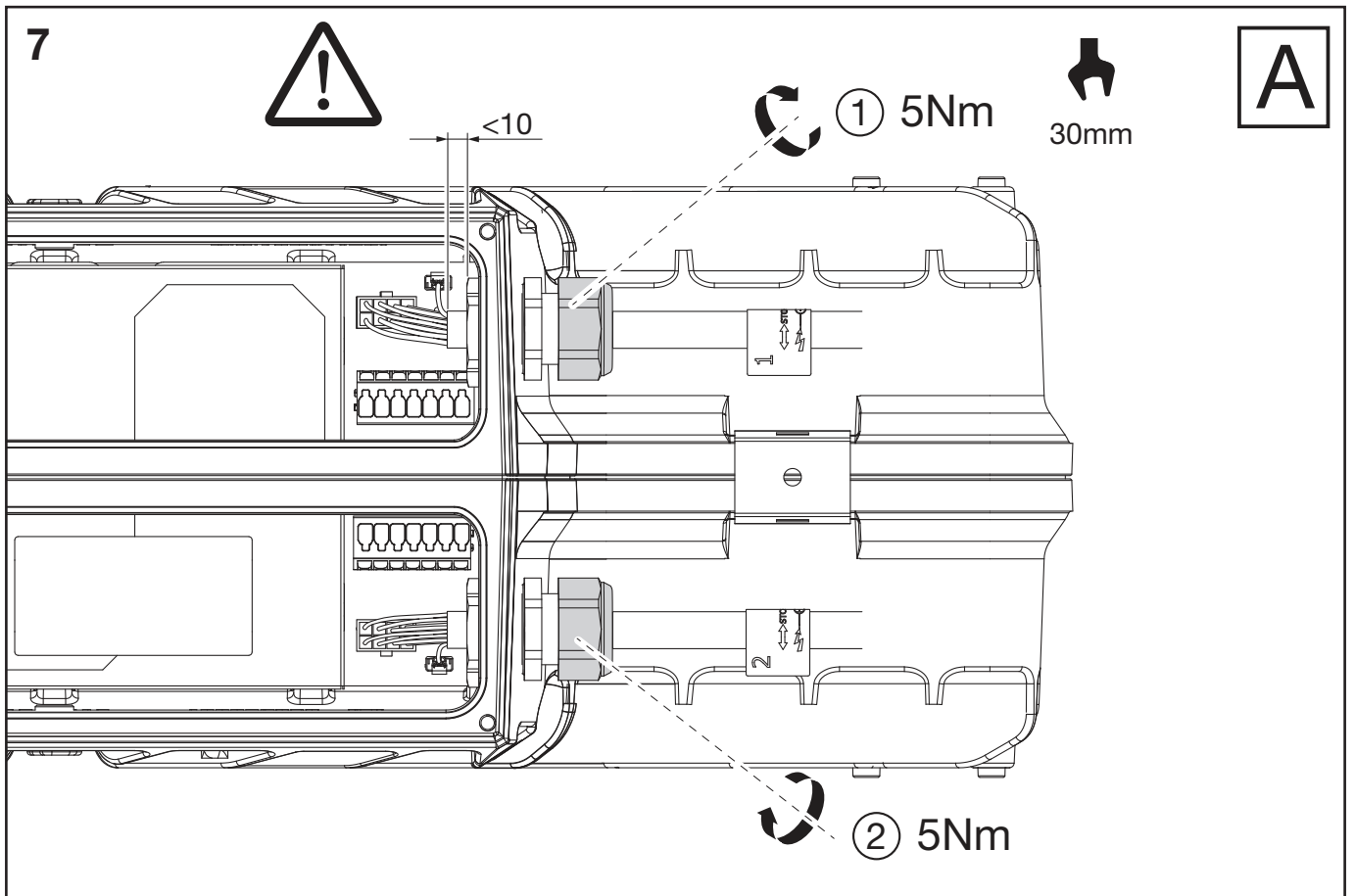




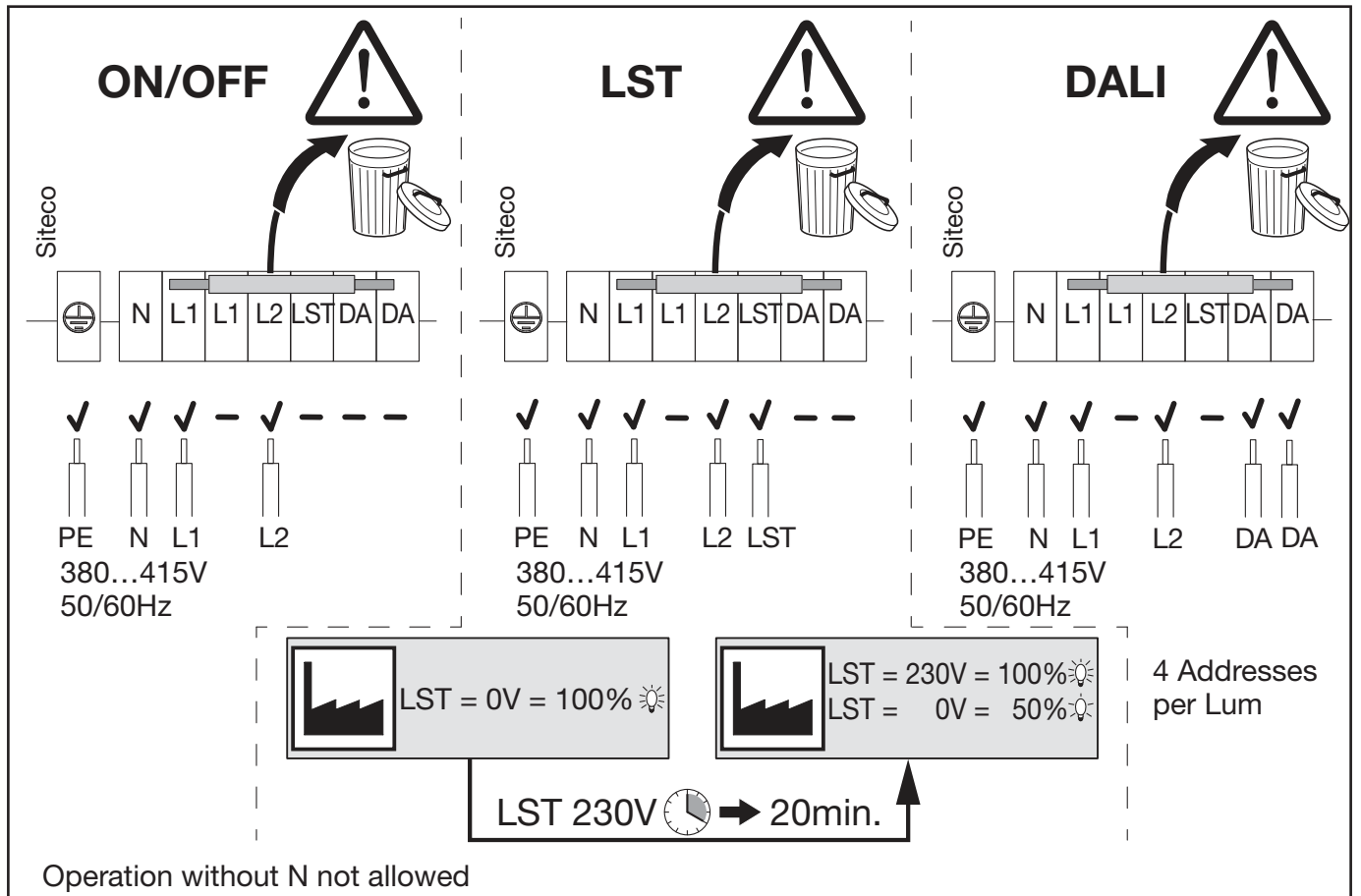
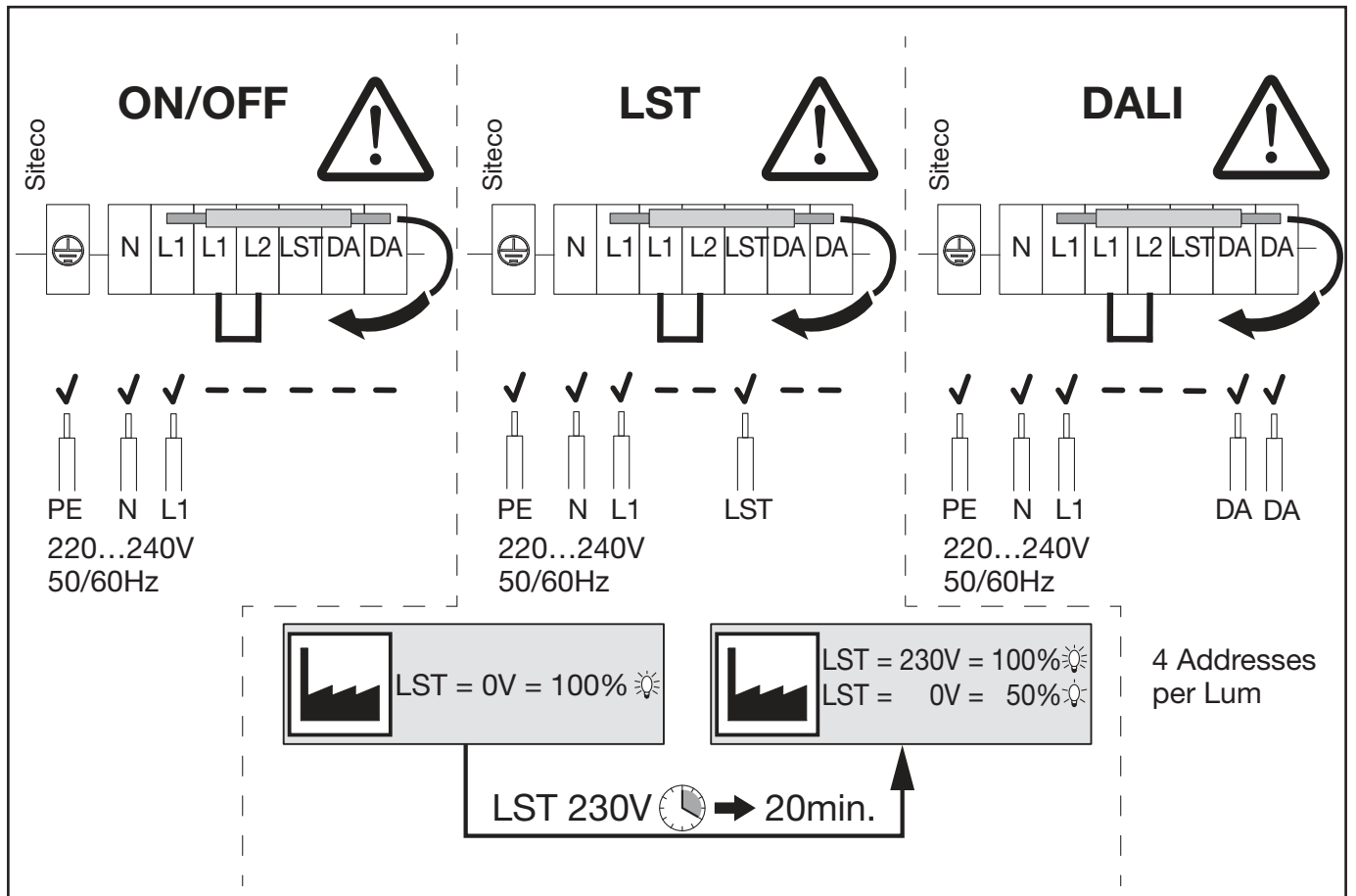


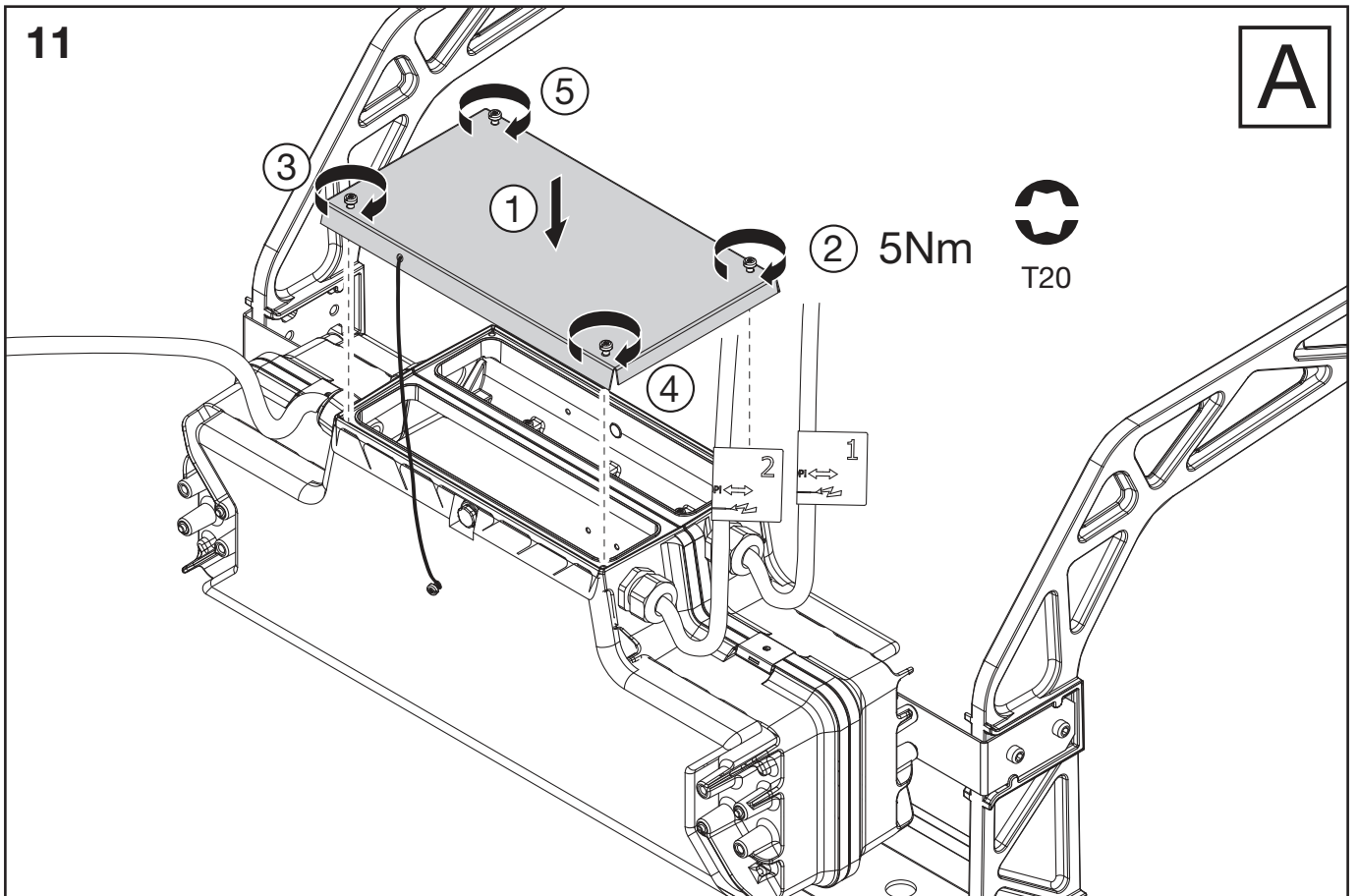
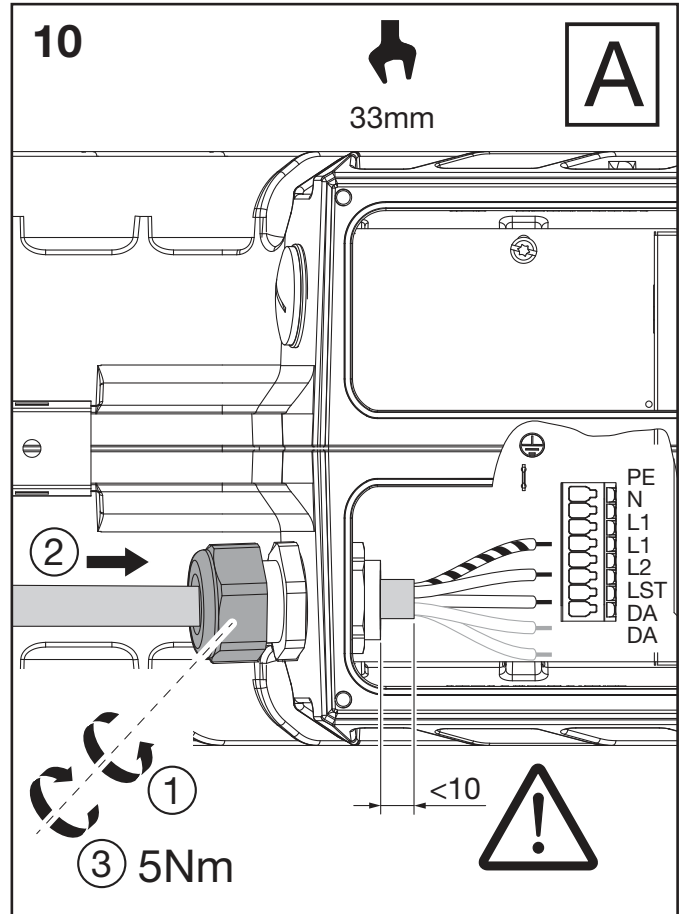
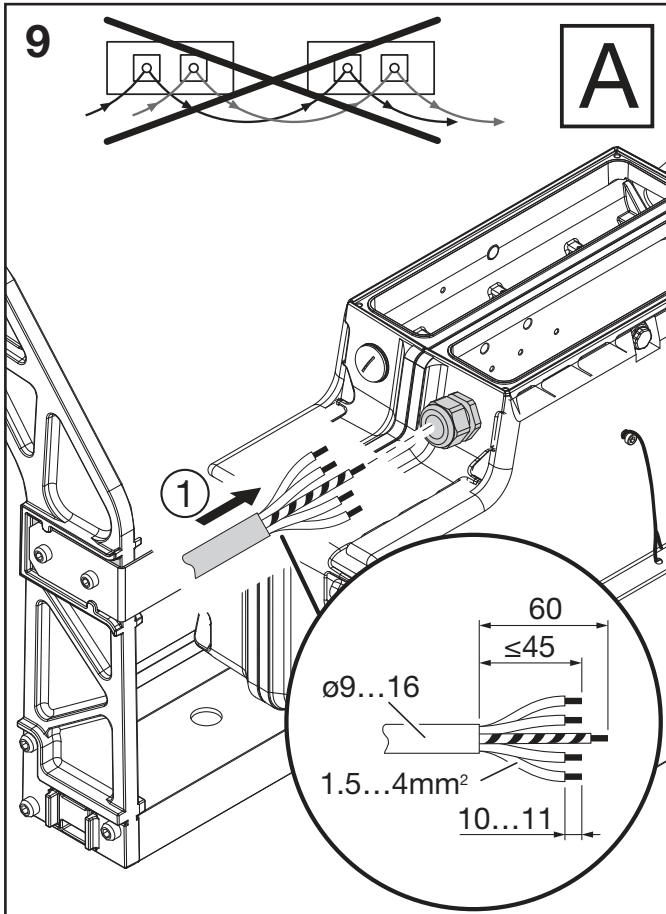




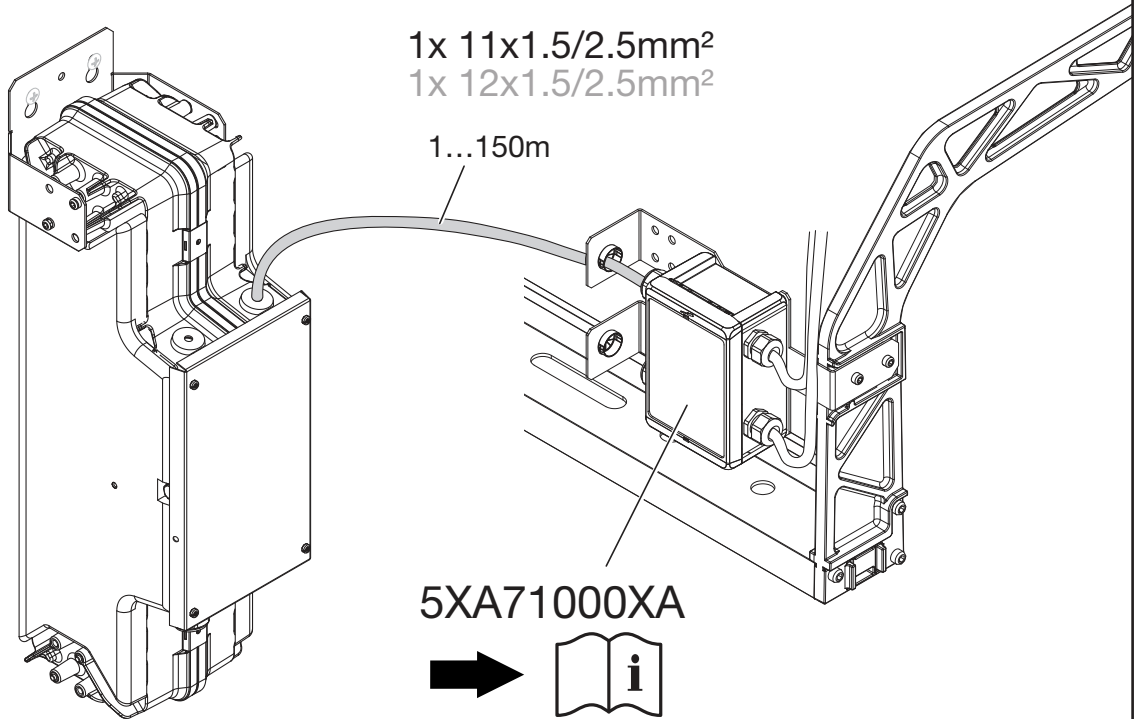


SIRIUS EVG-Einheit DALI / LST - ECG unit DALI / LST



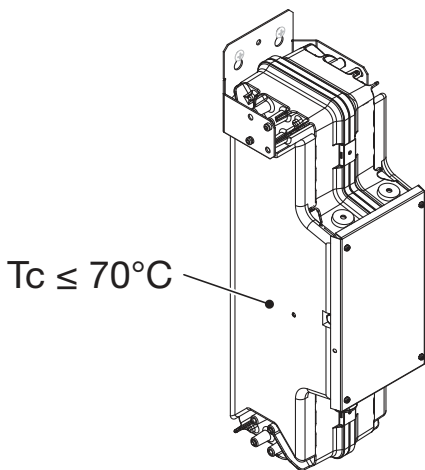


B1

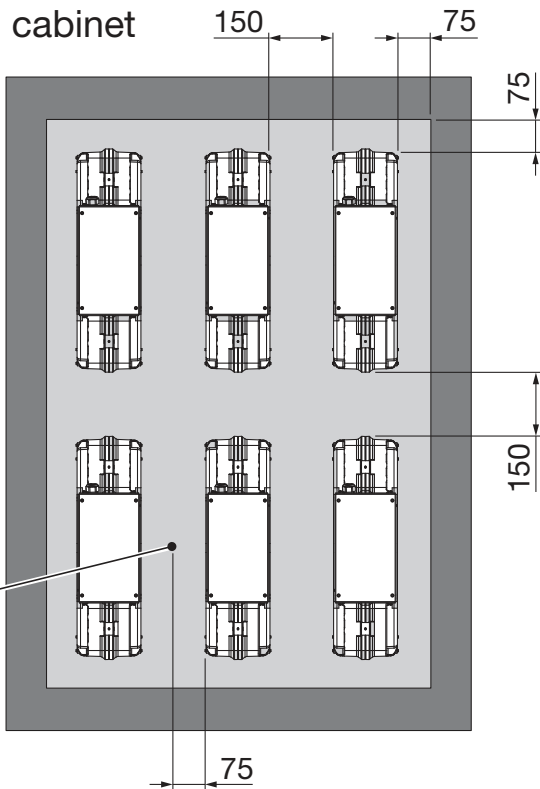


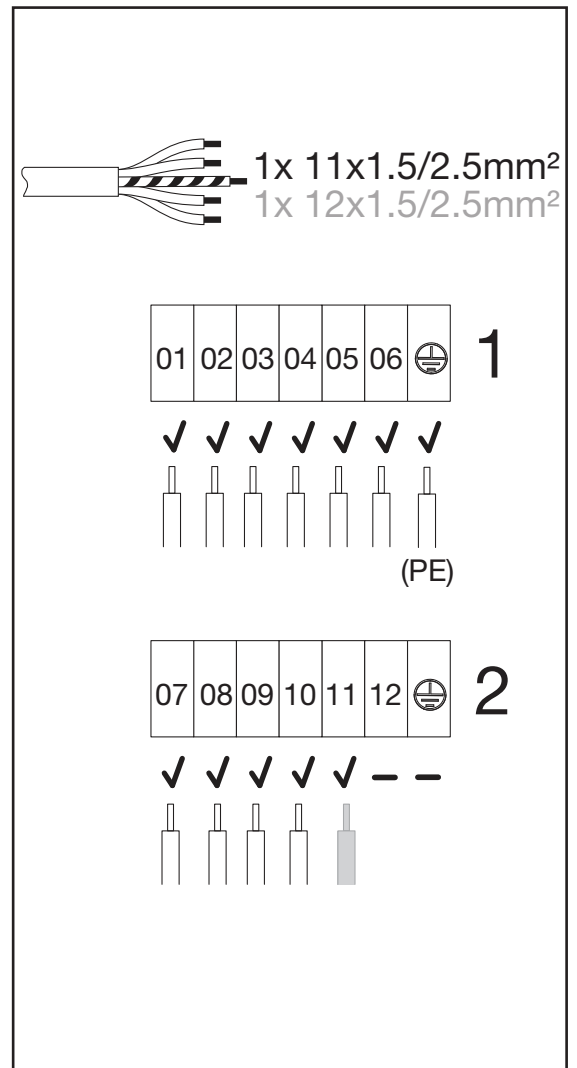
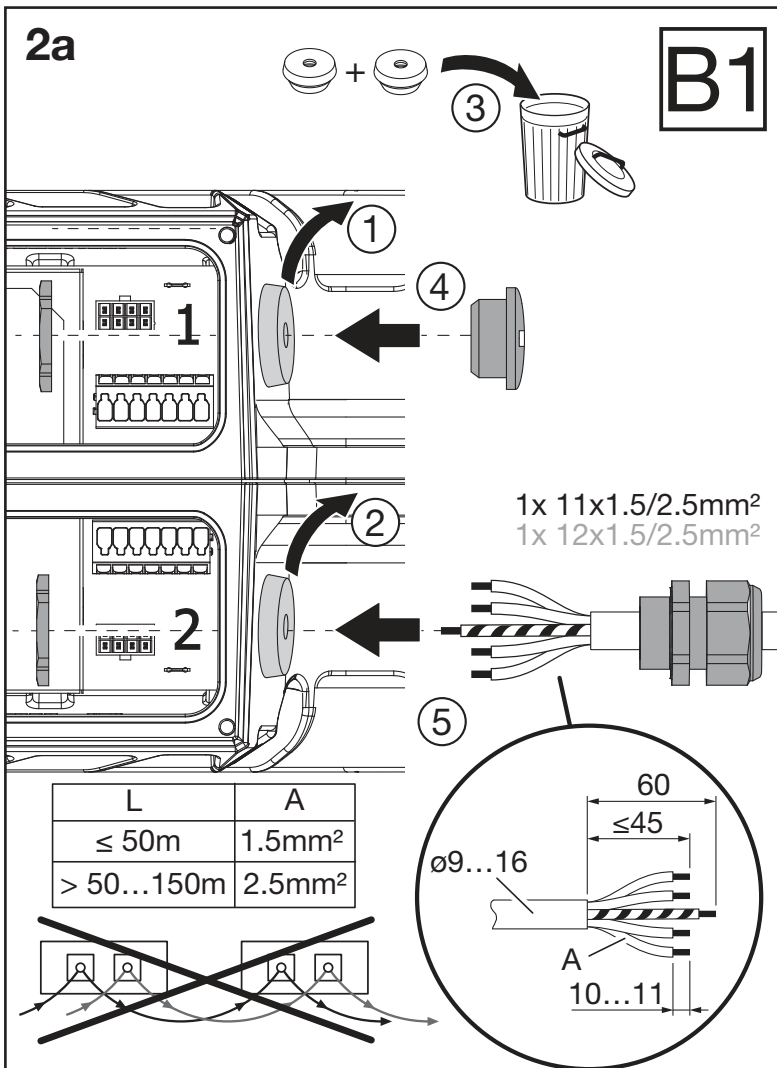
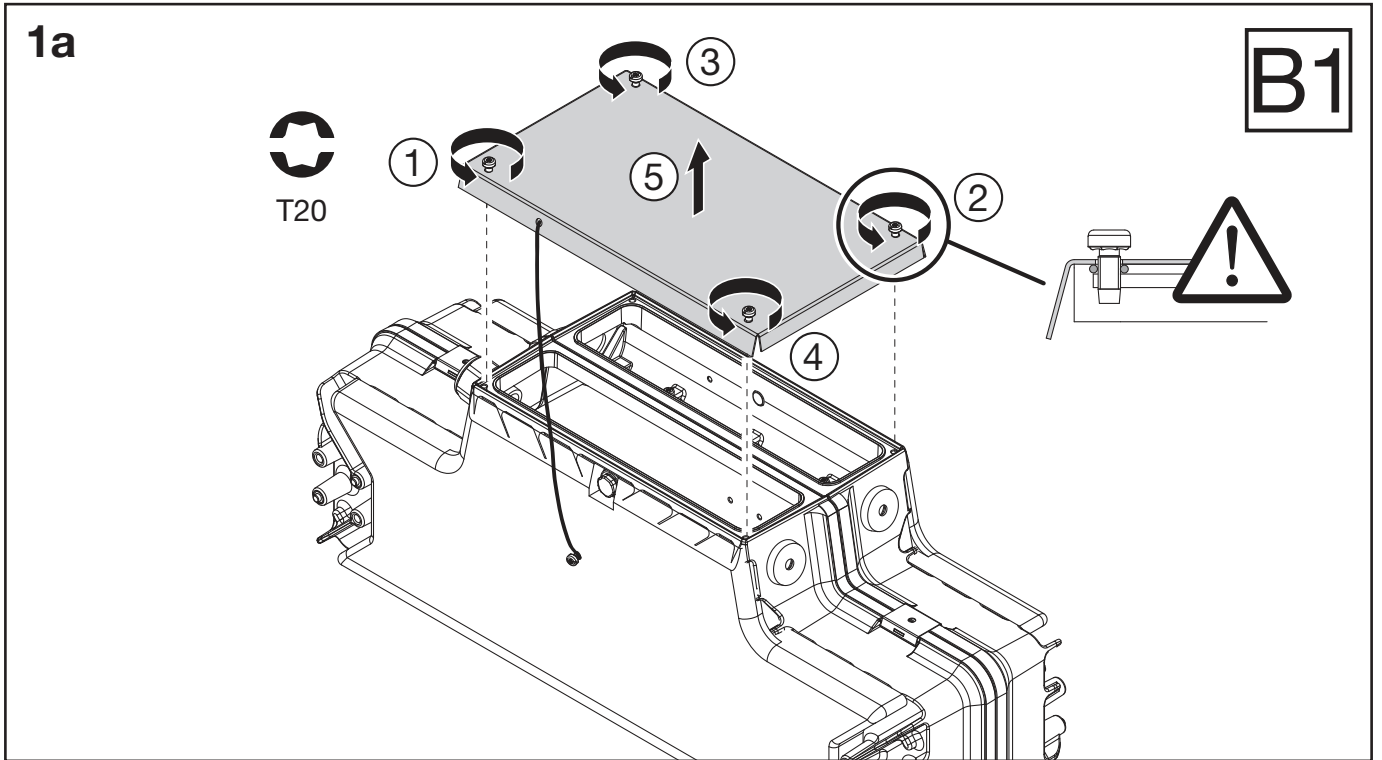
1x 2x M25

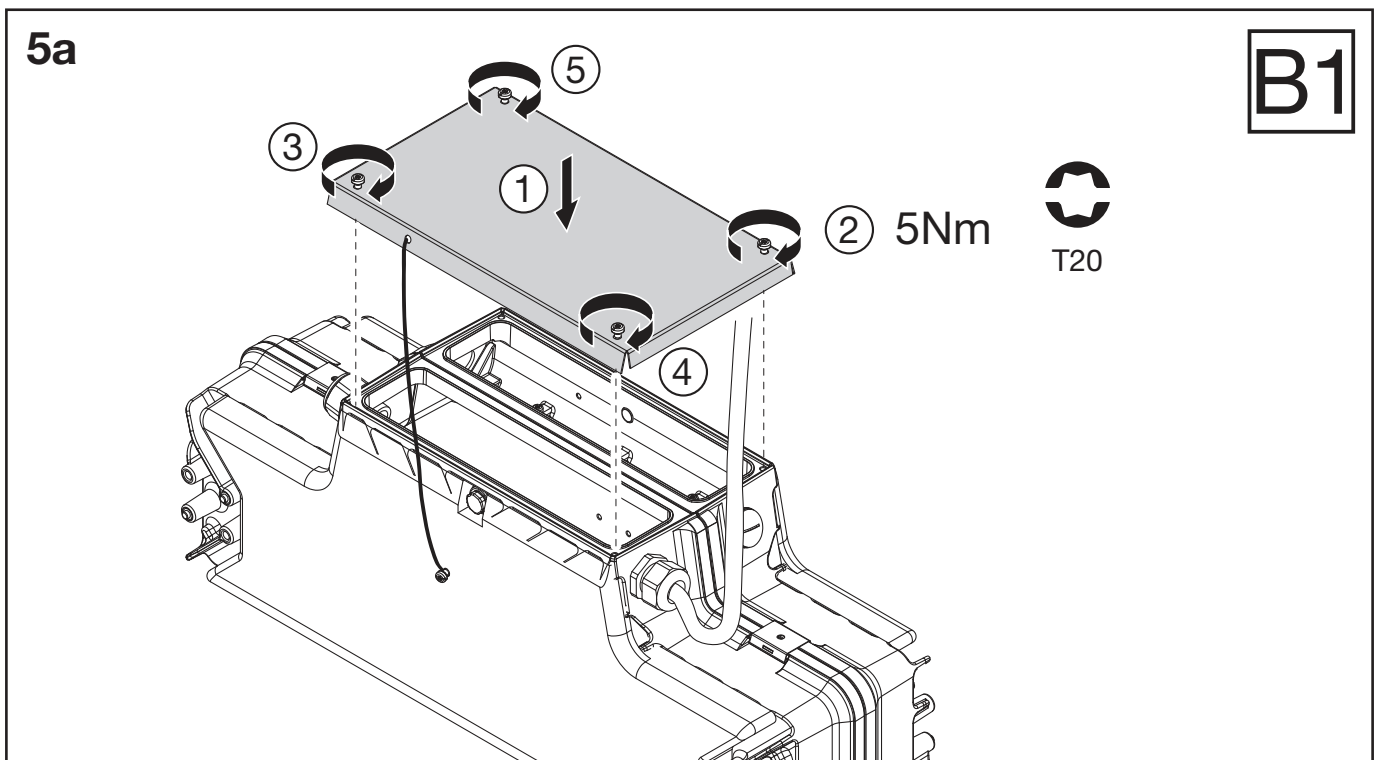
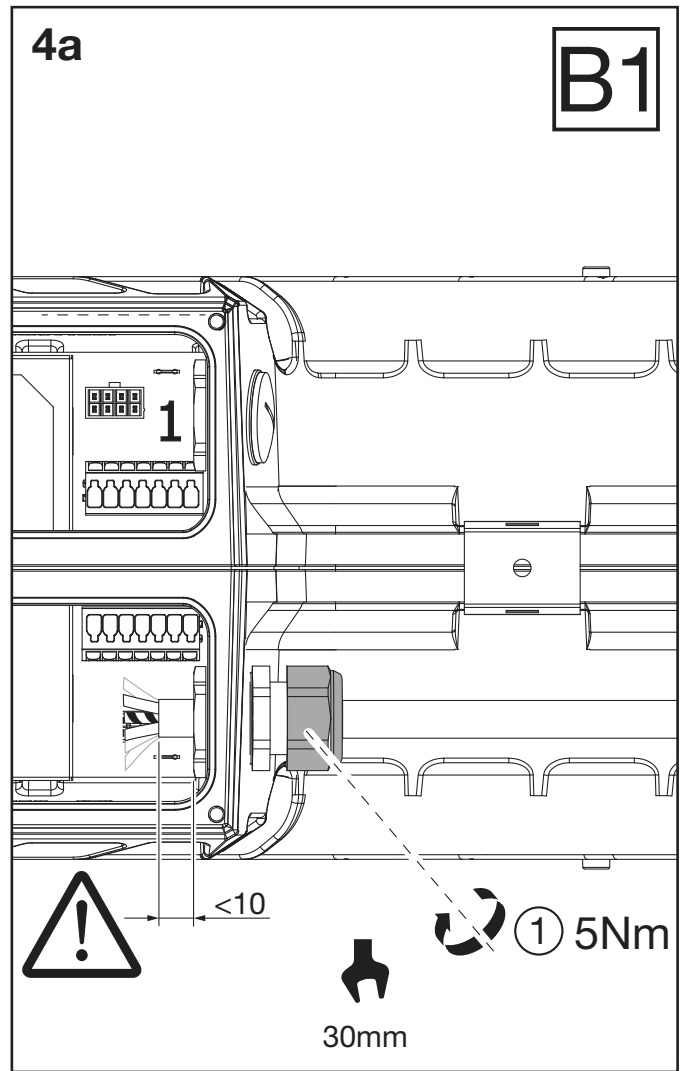
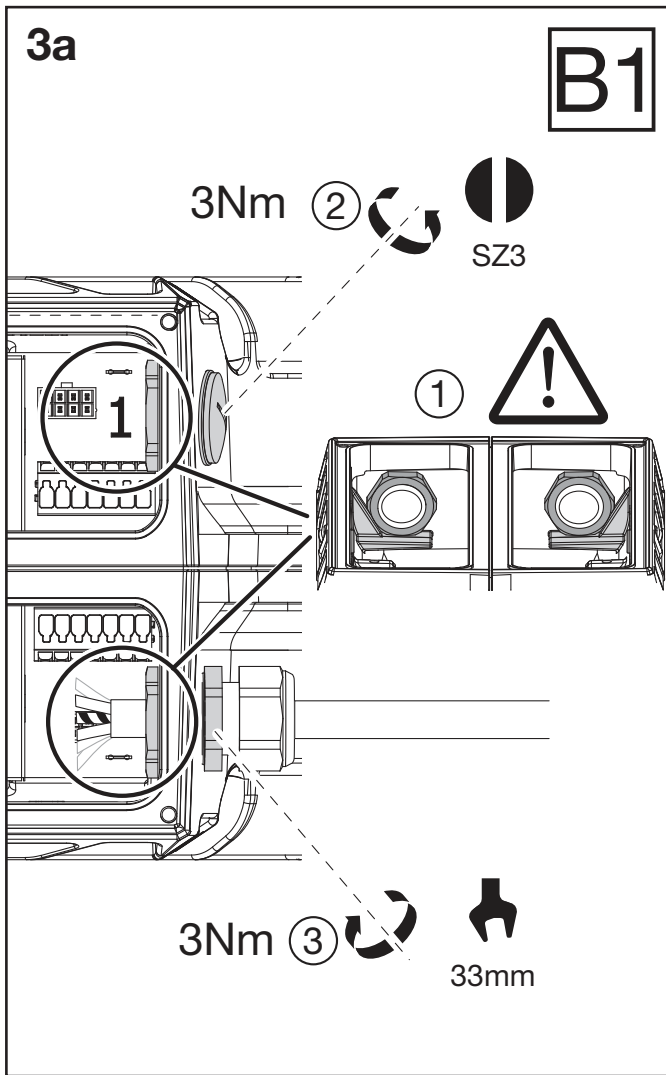
[mm]



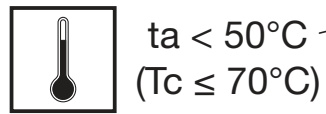
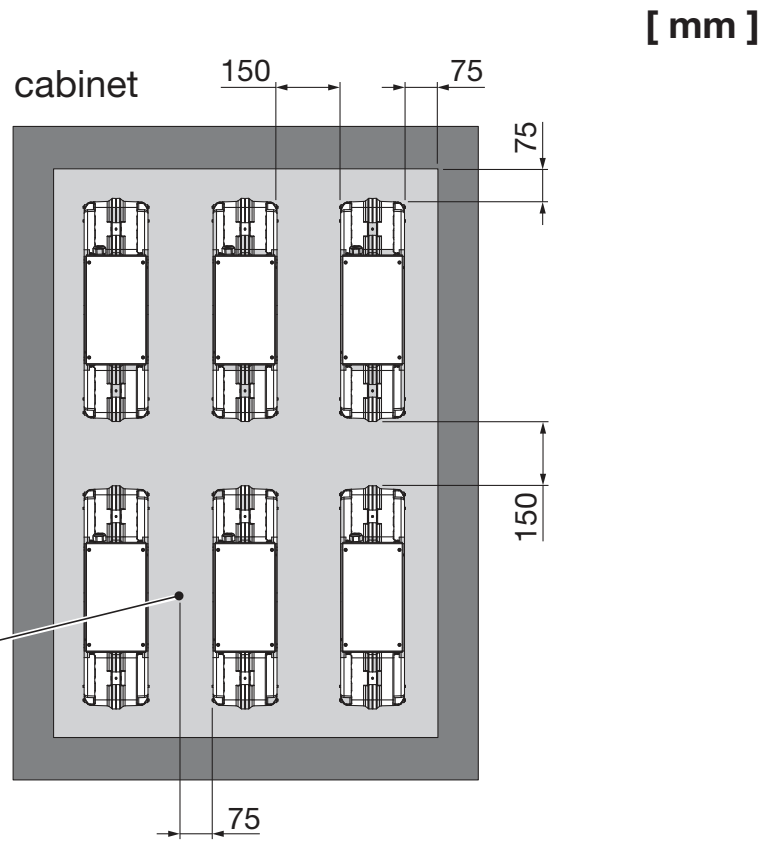
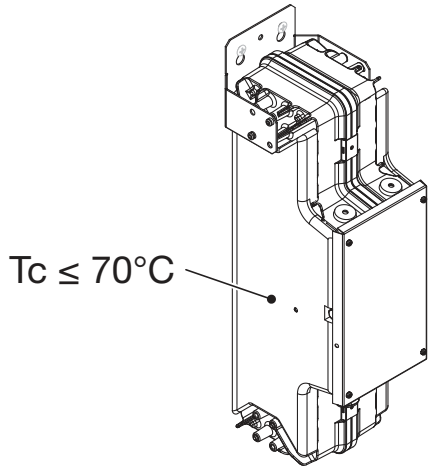
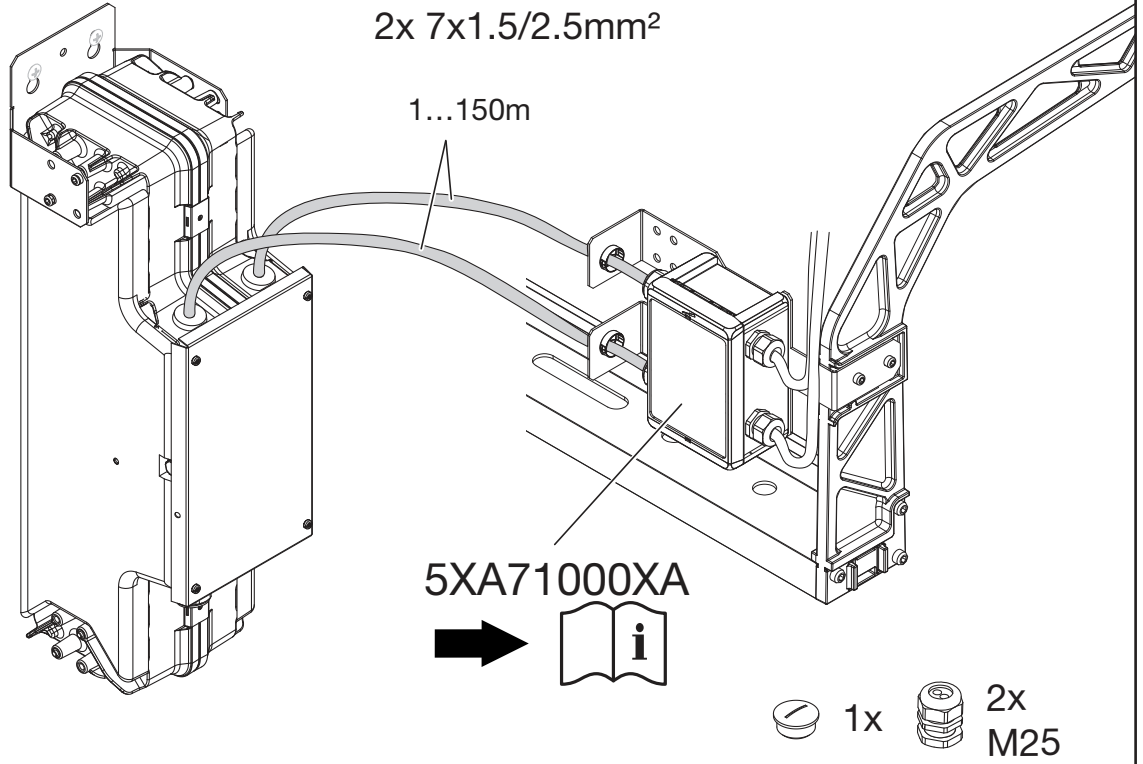
$t_a < 50^\circ\text{C}$
($T_c \leq 70^\circ\text{C}$)

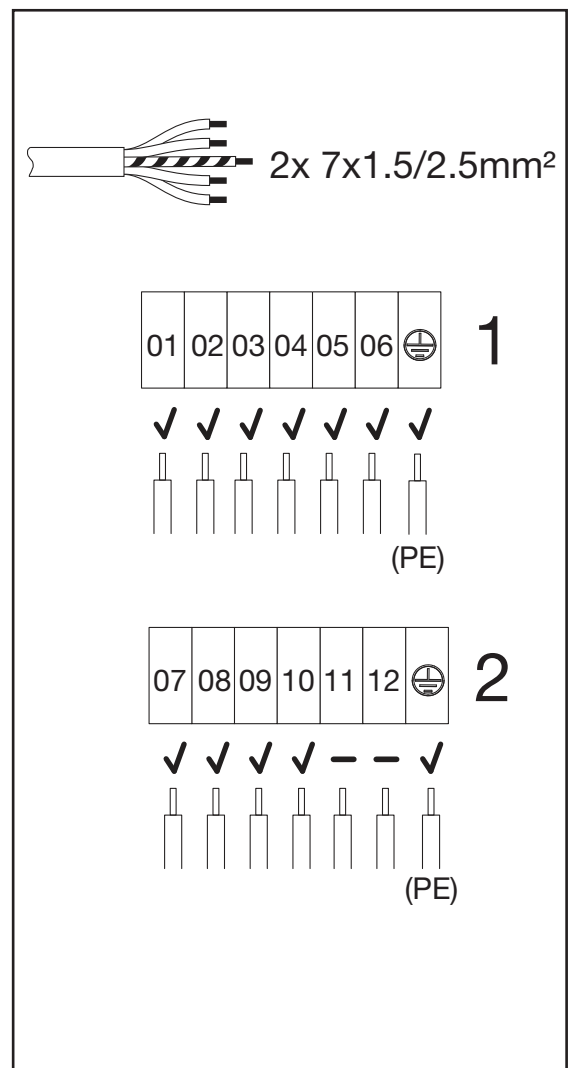
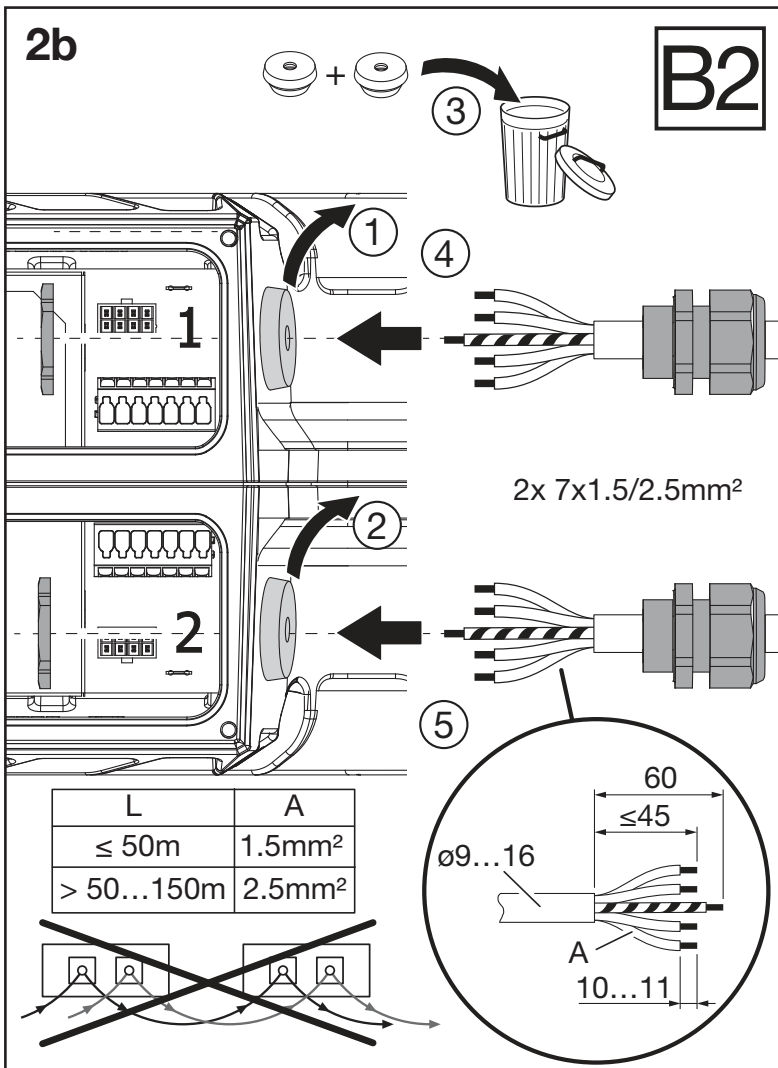
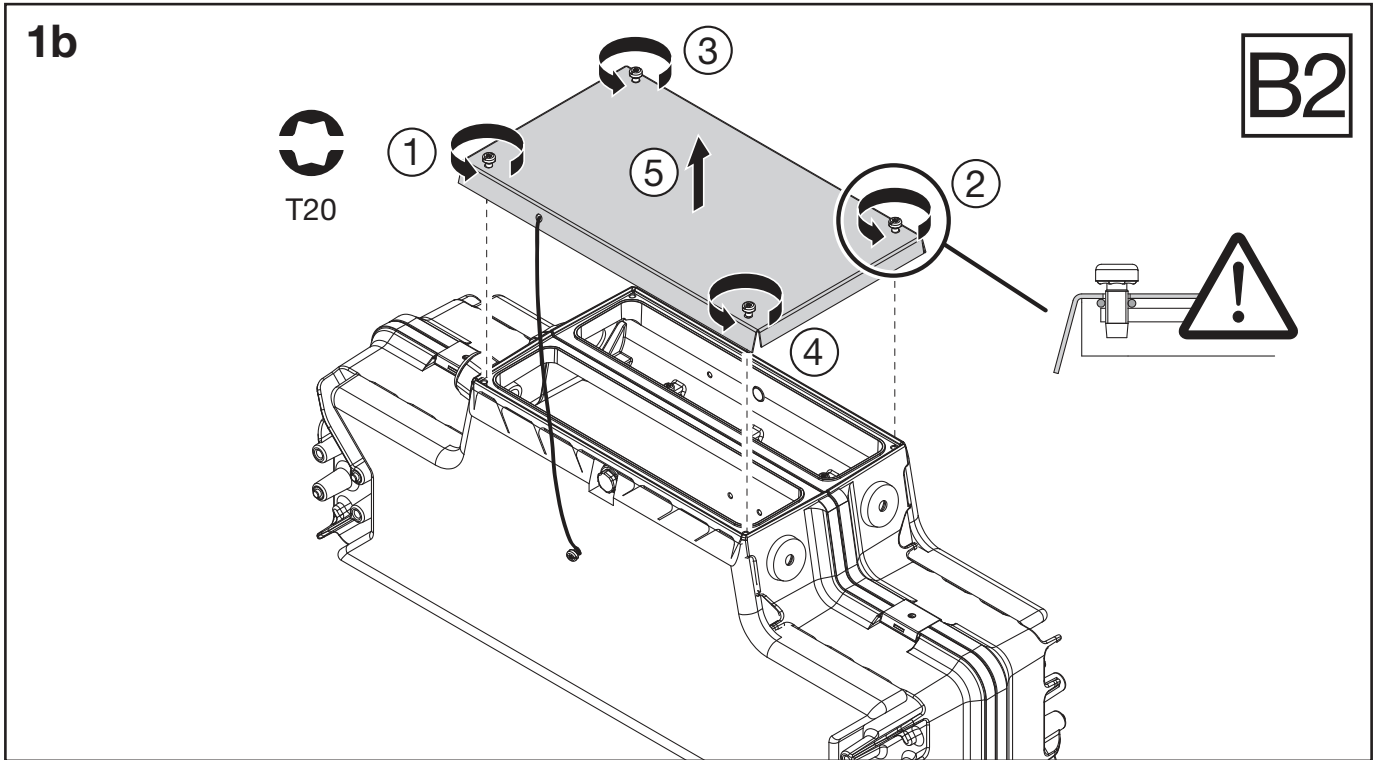


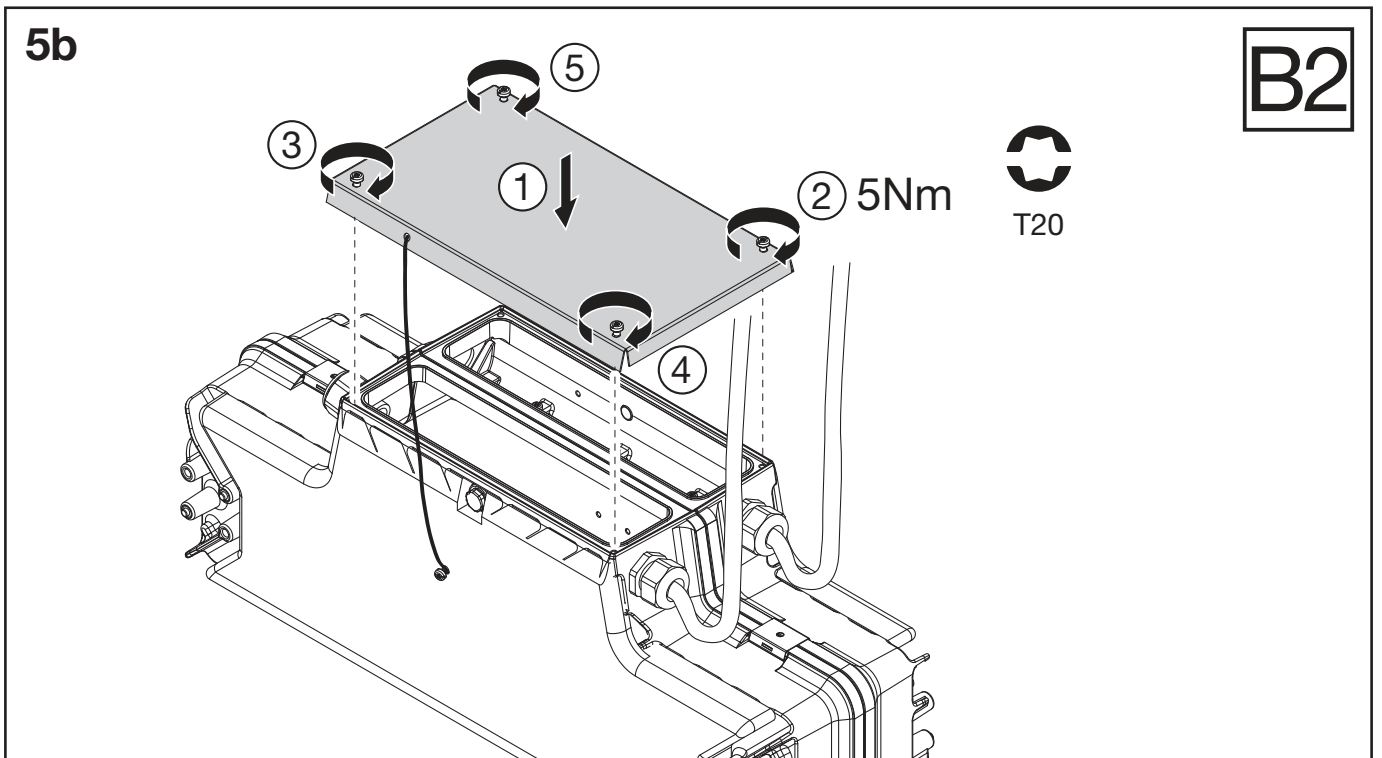
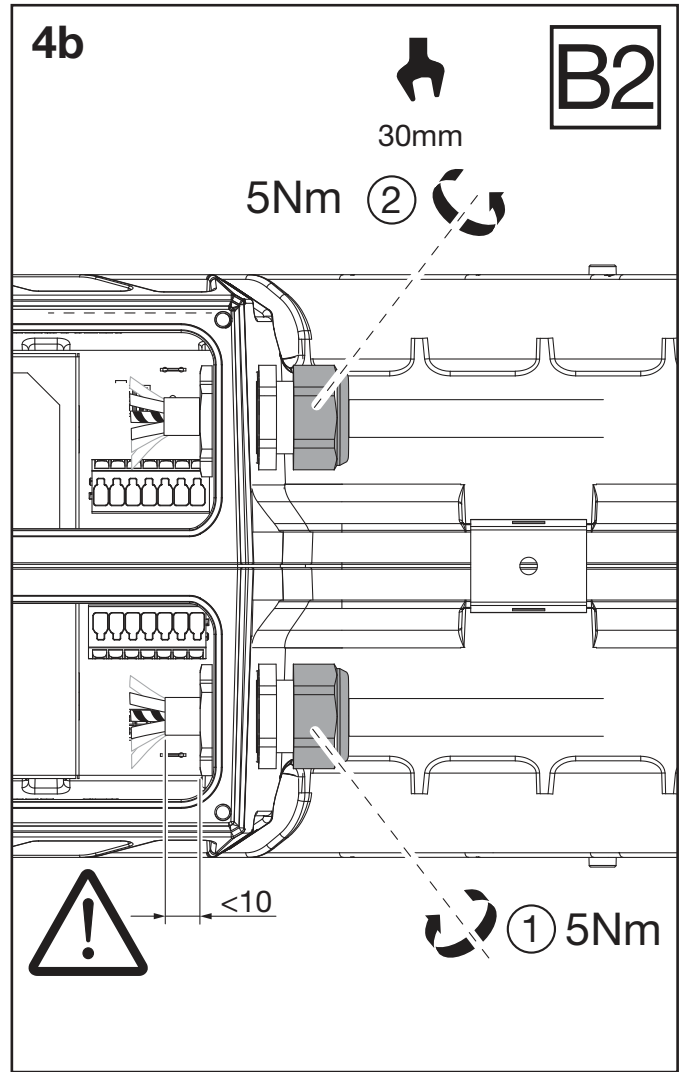
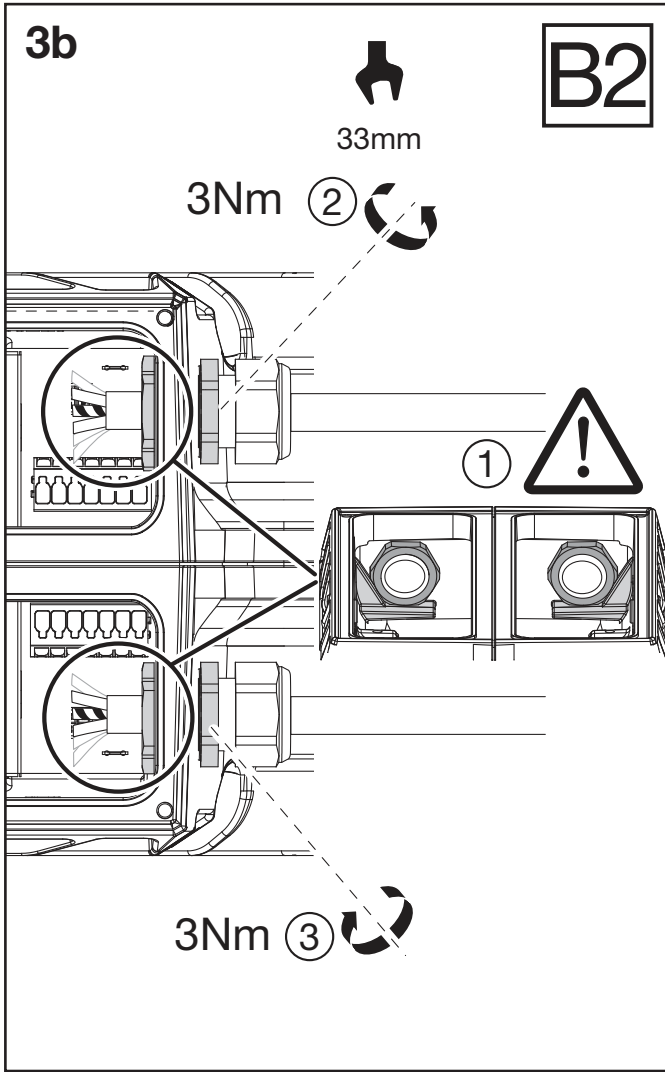




B2

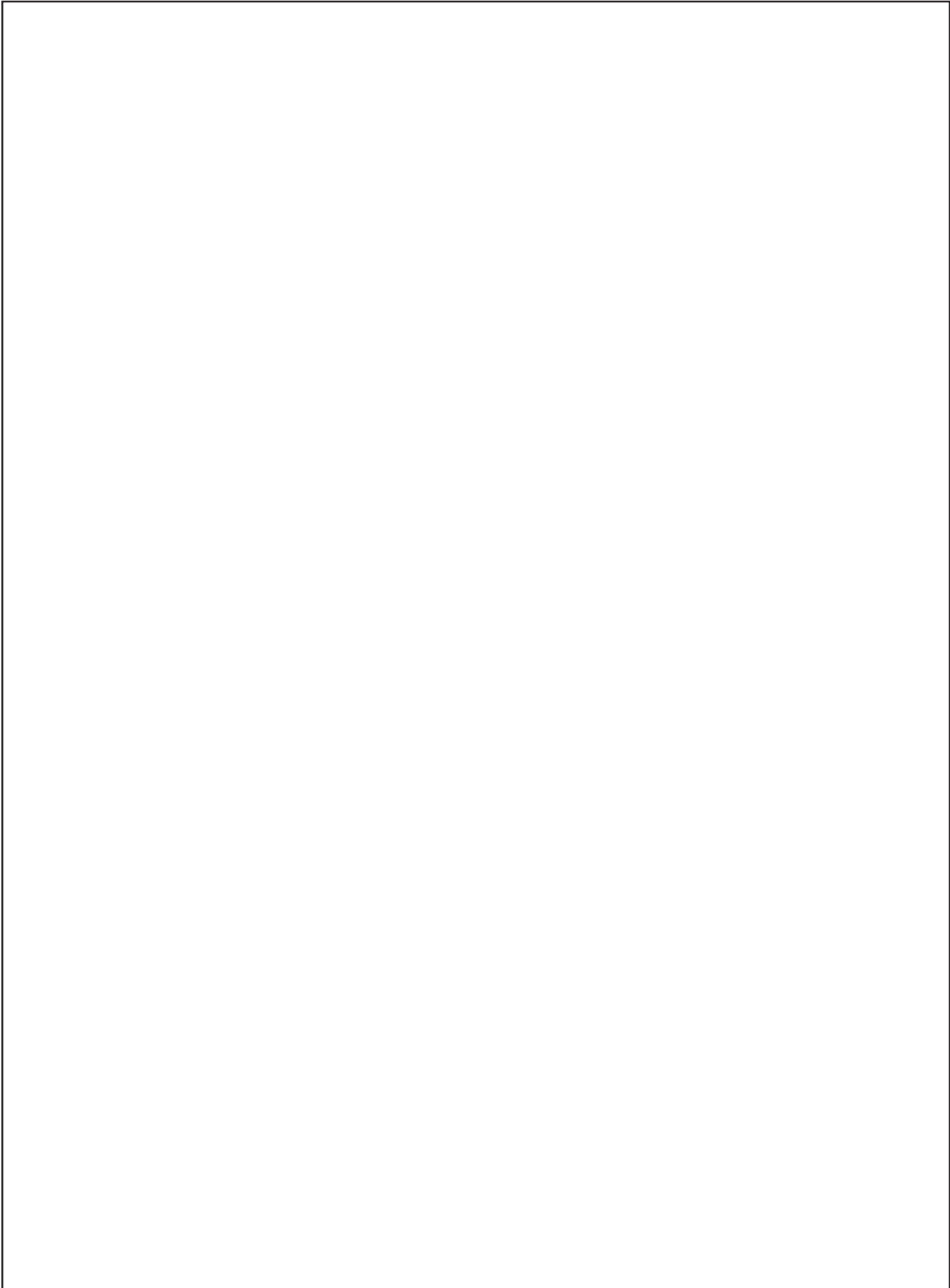


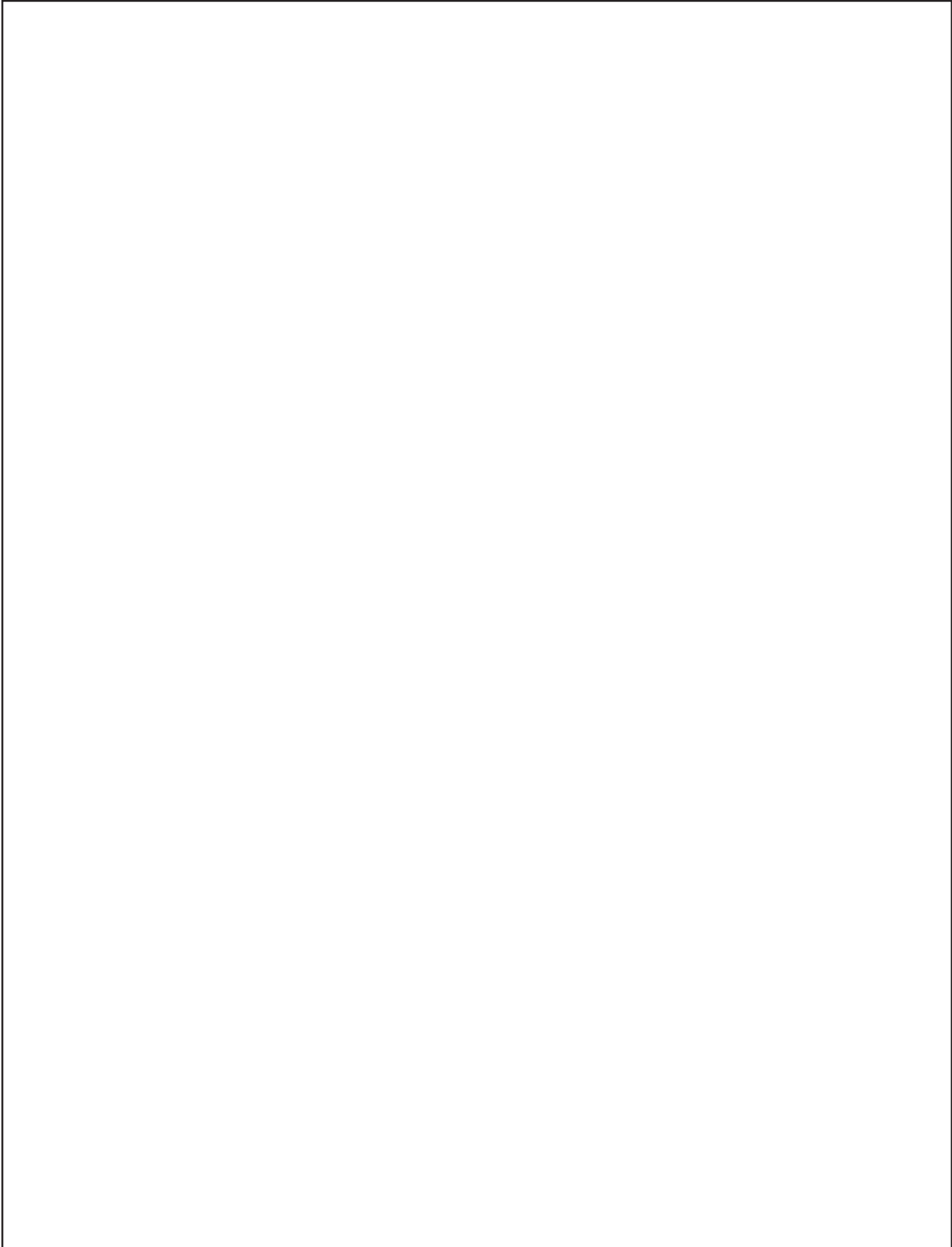




SIRIUS EVG-Einheit DALI / LST - ECG unit DALI / LST

| | | |
|--------------------------------|--|---|
| Inrush Current | 16A @230V; t=5ms 50% Peak; Single Line | |
| | 8A @400V; t=5ms 50% Peak; Double Line | |
| Circuit Breaker Recommendation | B10 | 1 |
| | B13 | 1 |
| | B16 | 1 |
| | B20 | 2 |
| | B25 | 2 |
| | C06 | 0 |
| | C10 | 1 |
| | C13 | 1 |
| | C16 | 1 |
| | C20 | 2 |
| | C25 | 2 |
| | C32 | 3 |
| Power Factor | 0,97 @Full Load | |
| Rated current (In) | 8,7A @230V, 50/60Hz; Single Line | |
| | 4,4A @400V, 50/60Hz; Double Line | |





5MA75-254742_ai
07.05.2026 / KIN

Siteco GmbH
Georg-Simon-Ohm-Straße 50
83301 Traunreut, Germany
mail: technicalsupport@siteco.de
Phone: +49 8669 / 33-844
www.siteco.com