

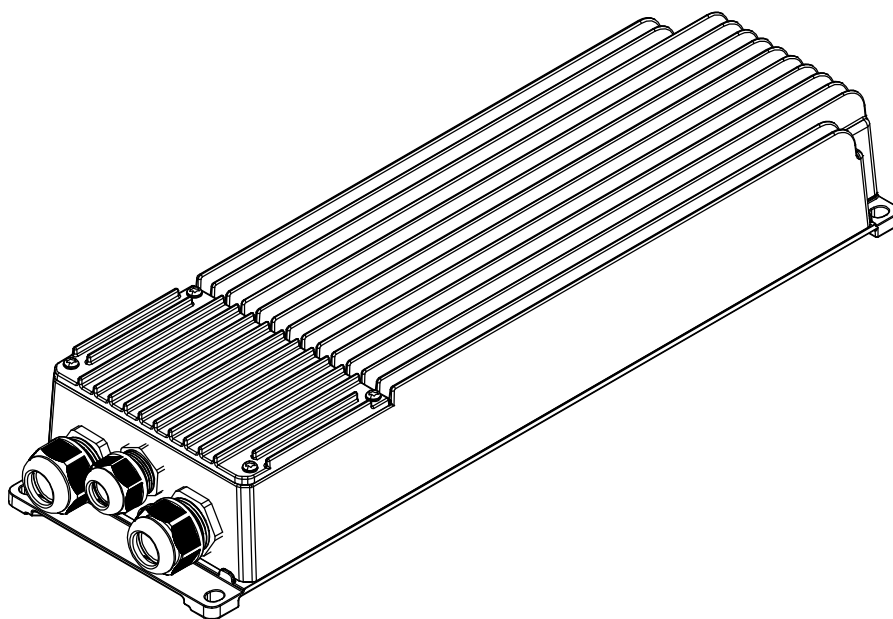
Floodlight 11

5XA779110000 ..

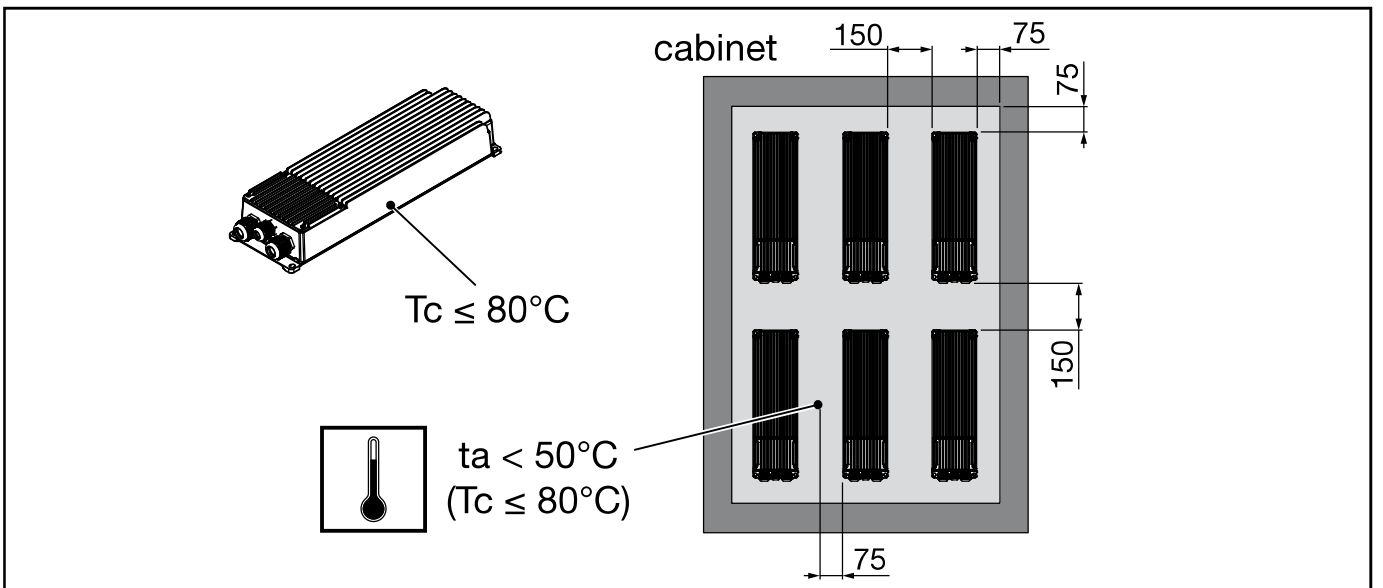
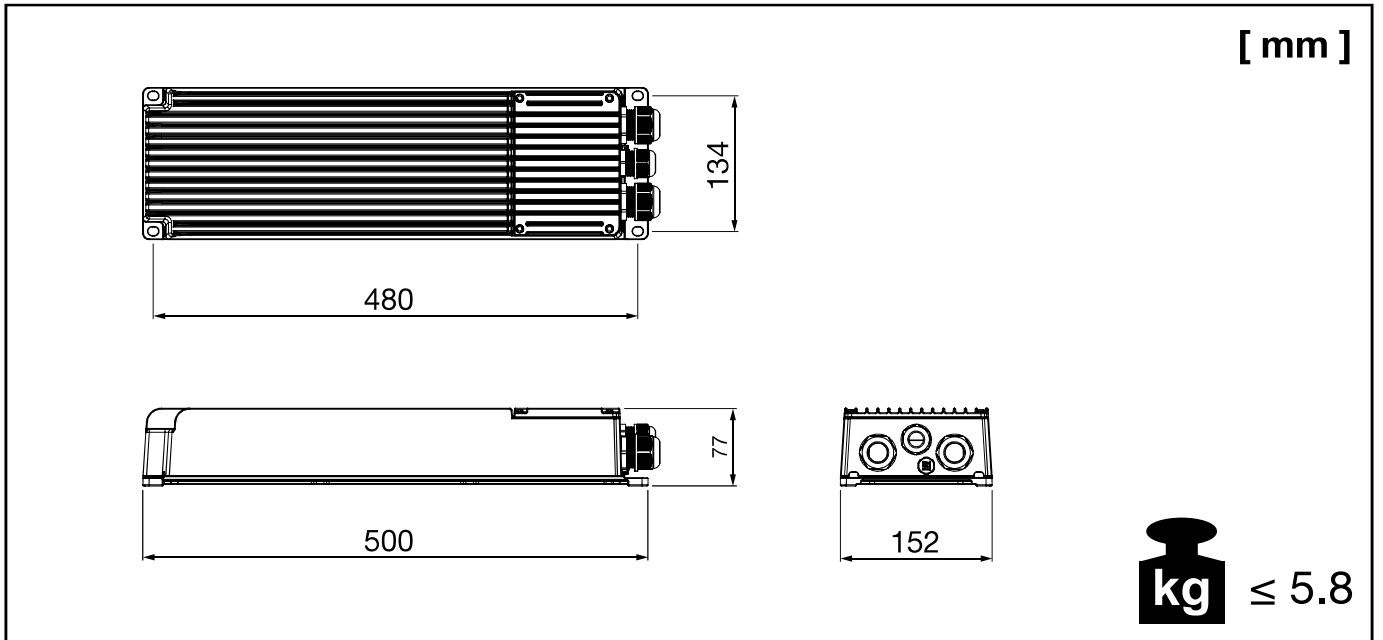
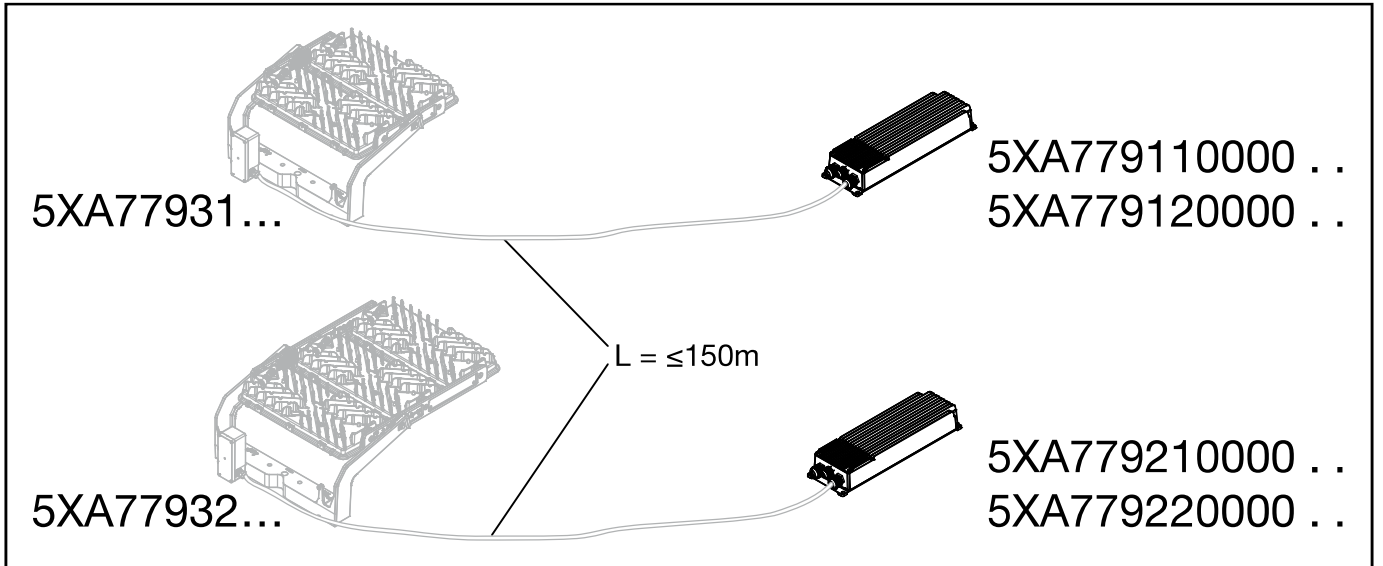
5XA779120000 ..

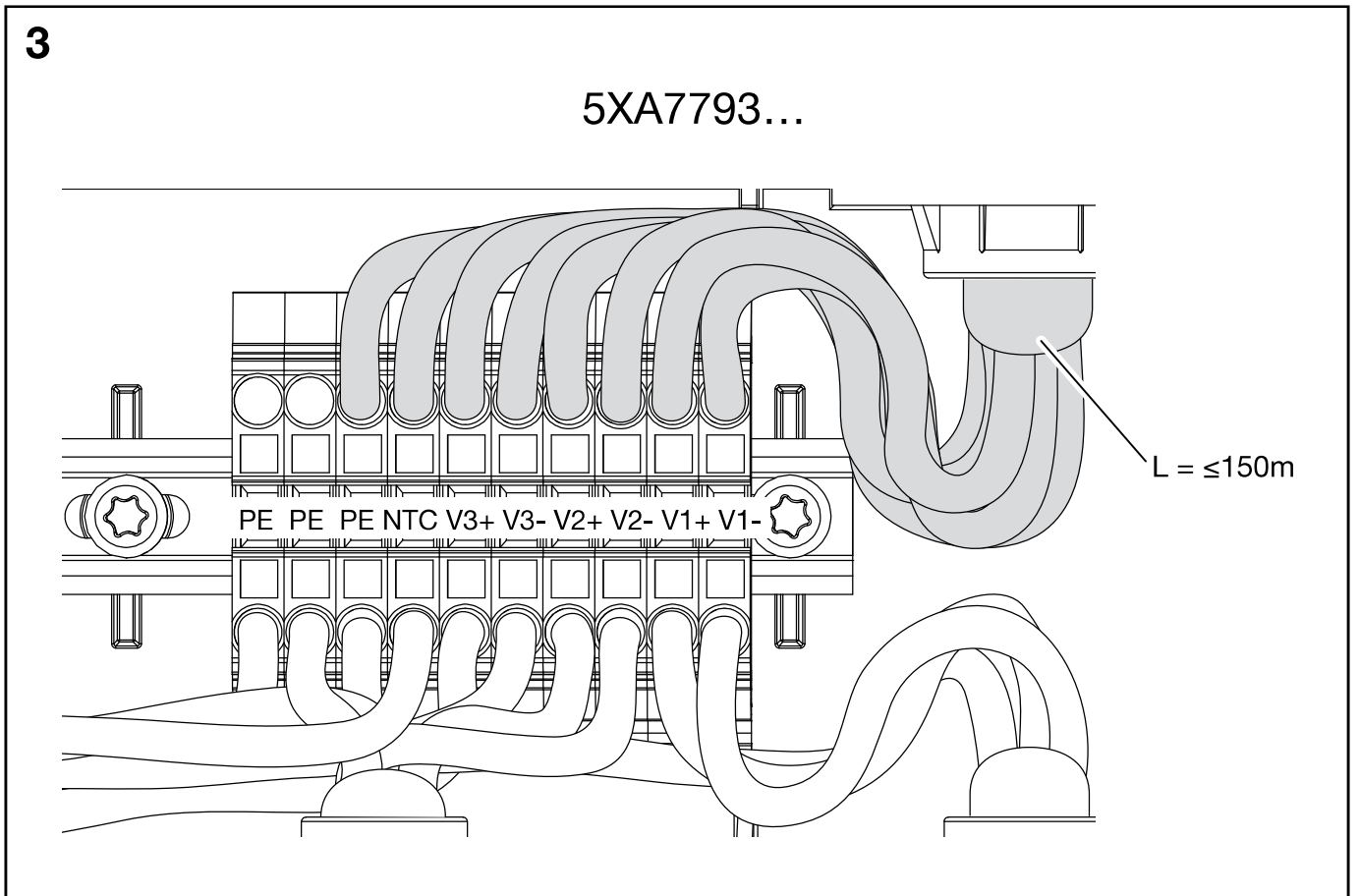
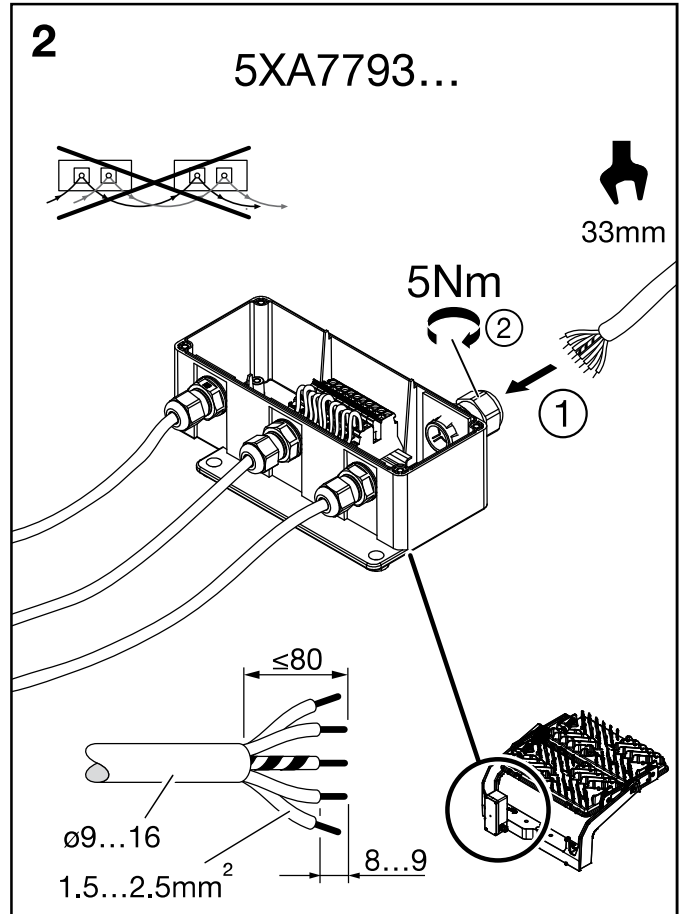
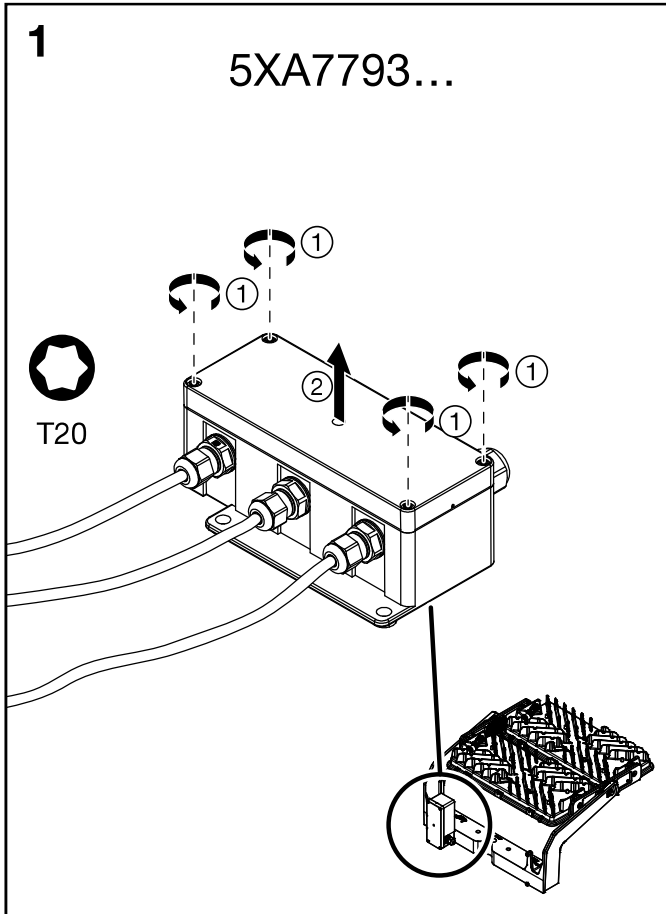
5XA779210000 ..

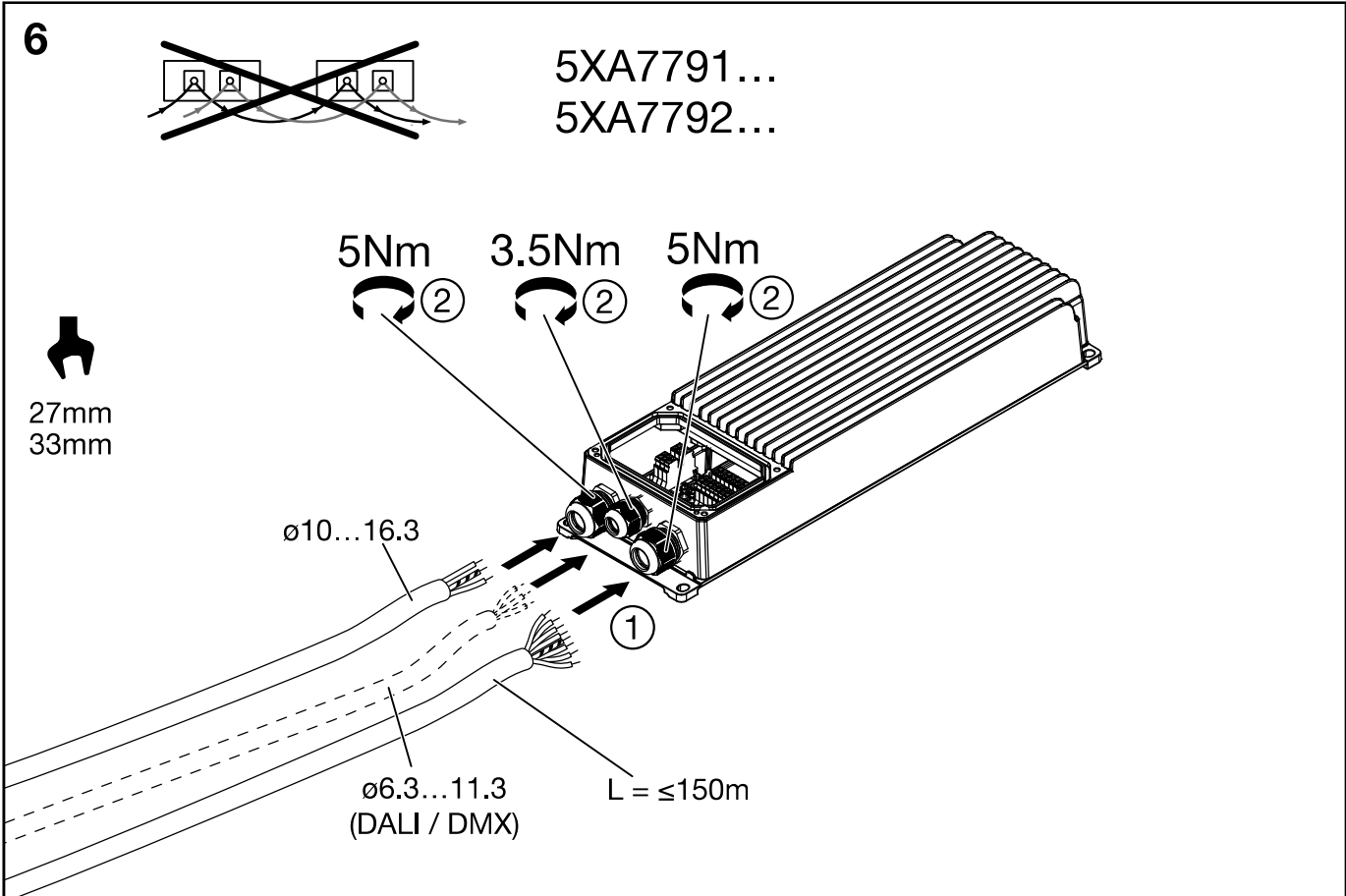
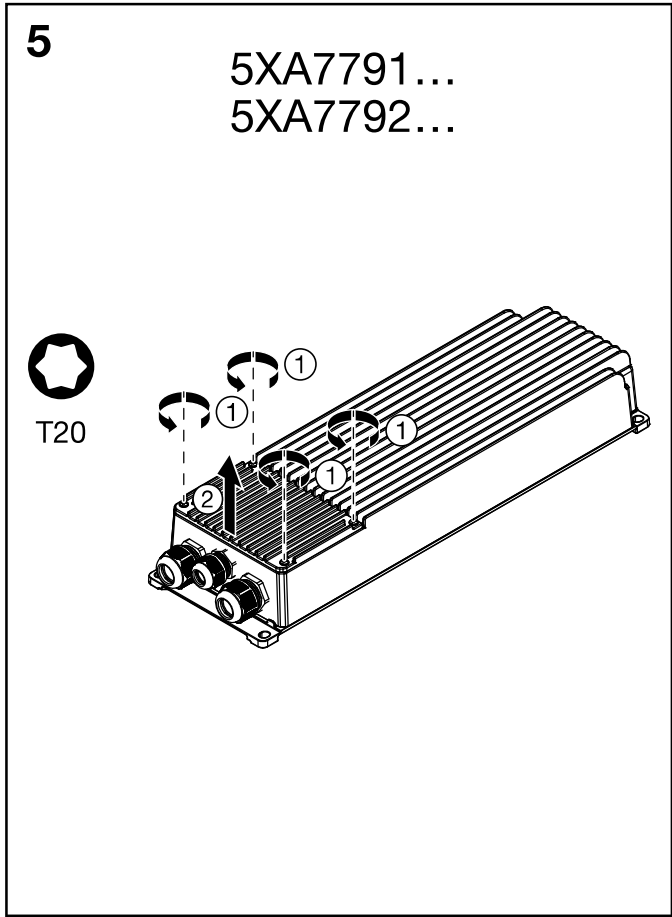
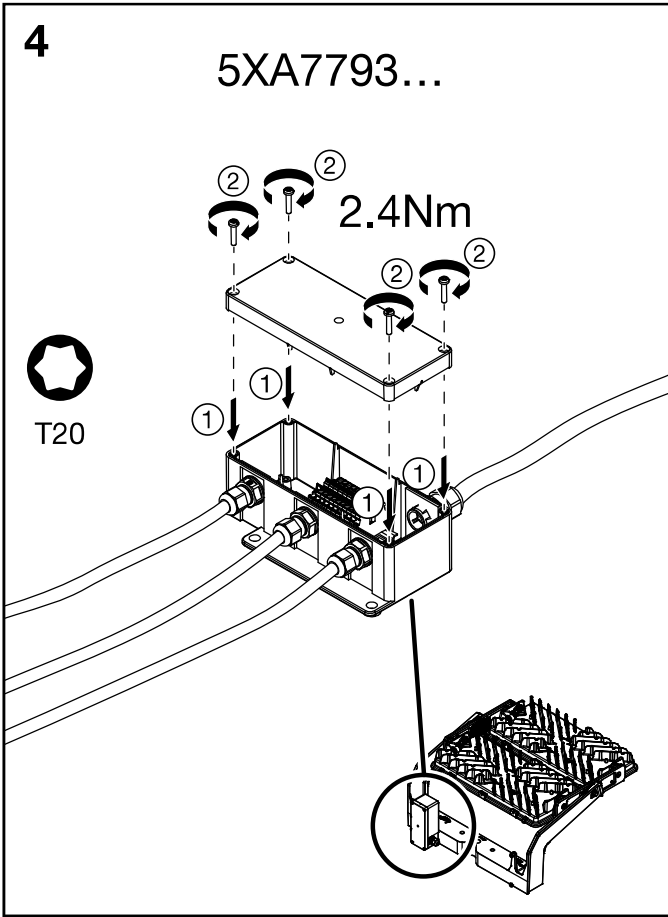
5XA779220000 ..



Floodlight 11

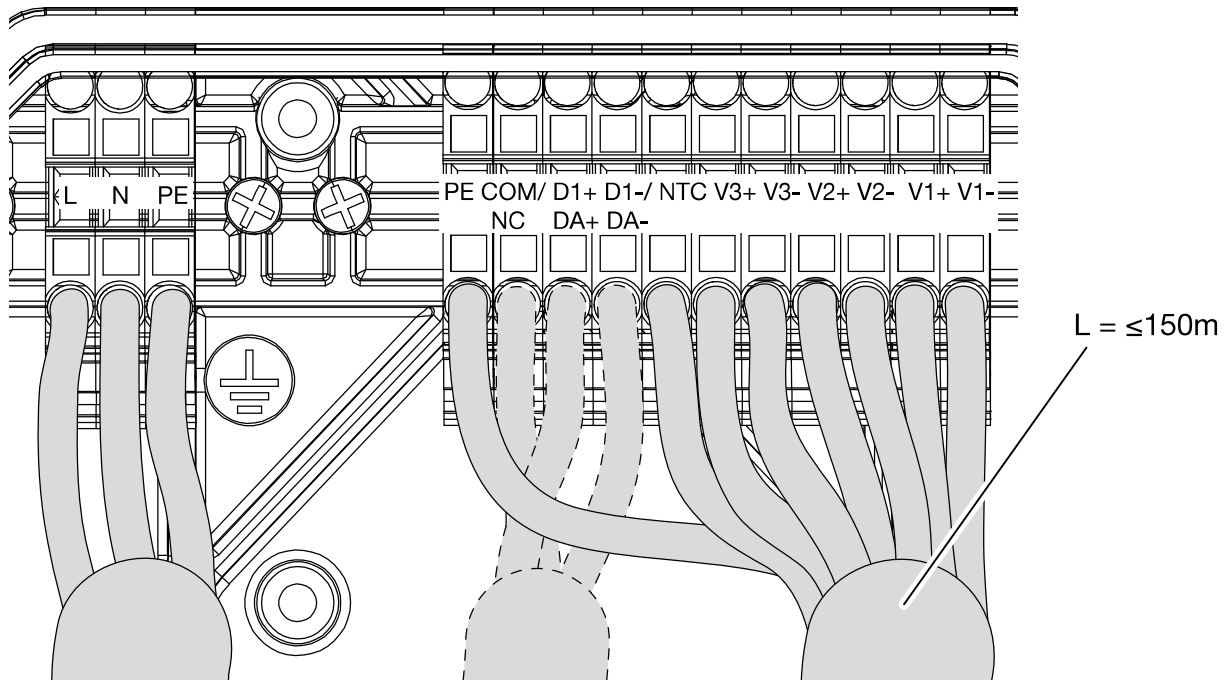






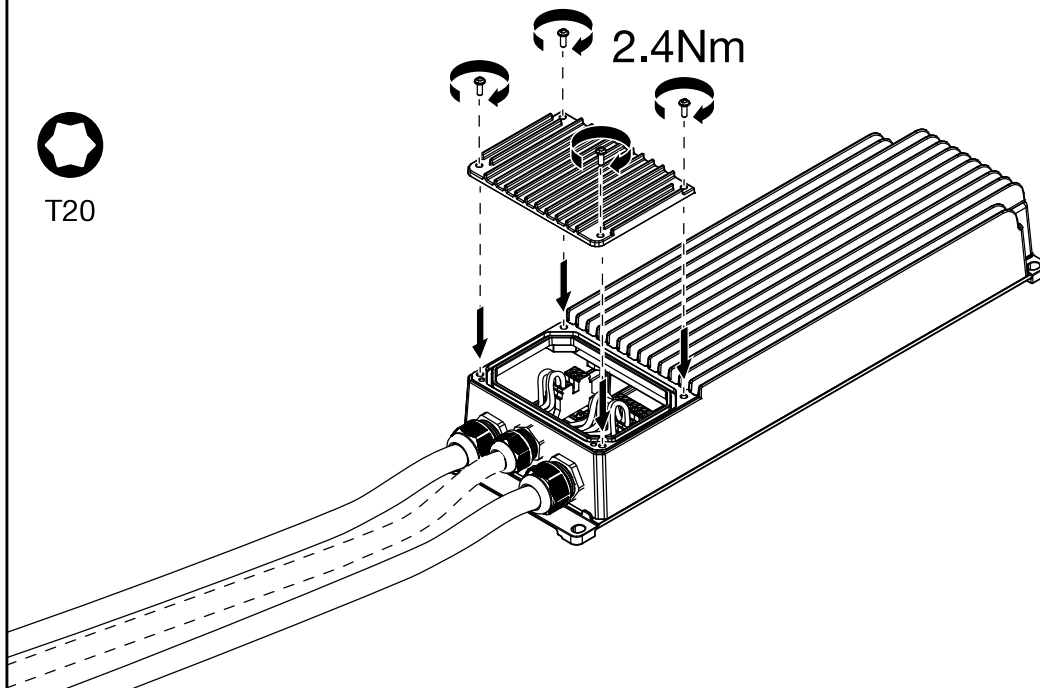
7

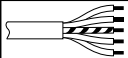


5XA7791...
5XA7792...

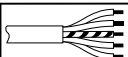




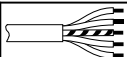



8

5XA7791...
5XA7792...



			L	N			NC	DA+	DA-
MAINS 220-240V	3	5XA7791...	X	X	X				
MAINS 380-400V	3	5XA7791...	L1	L2	X				
DALI	3	5XA7791...				X		X	X
MAINS + DALI 220-240V	5	5XA7791...	X	X	X			X	X
MAINS + DALI 380-400V	5	5XA7791...	L1	L2	X			X	X

			L	N			COM	D1+	D1-
MAINS 220-240V	3	5XA7792...	X	X	X				
MAINS 380-400V	3	5XA7792...	L1	L2	X				
DMX/RDM	4	5XA7792...					X	X	

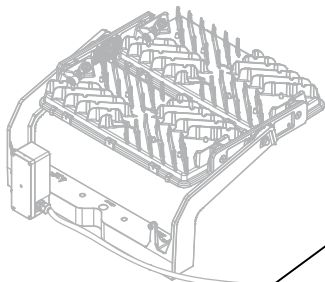
						NTC	V3+	V3-	V2+	V2-	V1+	V1-
Remote	8	5XA77932...			X	X	X	X	X	X	X	X
Remote	6	5XA77931...			X	X			X	X	X	X

1)

Driver box Features	
lin (Mains 220V-240V)	7A
lin (Mains 380V-400V)	4A
Inrush (220V-240V)	-
Inrush (380V-400V)	< = 25 A pulse width <8ms at 400Vac
Power Factor	>0.9 as of min. level at 230Vac
Surge Protection	10kV
Maximum Heat Dissipation	66W

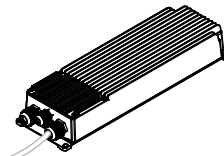
Floodlight 11

2)



L	A
≤50m	1.5mm ²
>50...150m	2.5mm ²

not supplied by Siteco



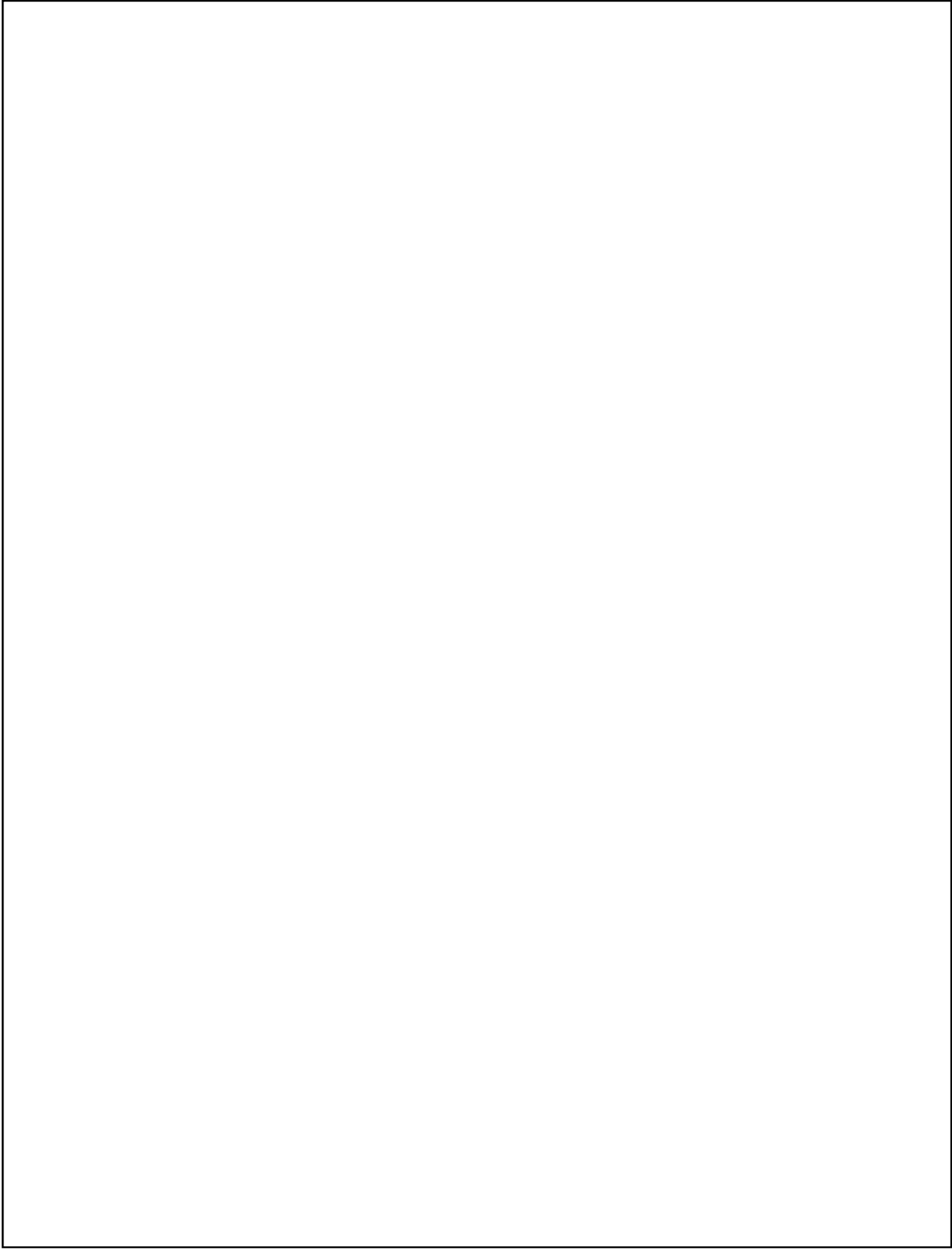
		∅	RECOMMENDED CABLE TYPE	CONNECTOR SECTION MAX
DALI/DMX	M20	6.3...11.3	min. CAT5	0.08...2.5mm ²
MAINS Cable	M25	13...16.3	H07RN-F 450V/750V	1.5...2.5mm ²
Remote Cable	M25	9...16	Ölflex Classic 110bk	1.5...2.5mm ²

Input Voltage: 220~240Vac

Characteristic	Amperage	3 Channel DALI	3 Channel DMX	2 Channel DALI	2 Channel DMX
B	6	0	0	0	0
B	10	1	1	1	1
B	16	1	1	2	2
B	20	2	2	2	2
B	25	2	2	3	3
C	6	0	0	0	0
C	10	1	1	1	1
C	16	1	1	2	2
C	20	2	2	2	2
C	25	2	2	3	3

Input Voltage: 380~400Vac

Characteristic	Amperage	3 Channel DALI	3 Channel DMX	2 Channel DALI	2 Channel DMX
B	6	0	0	0	0
B	10	1	1	1	1
B	16	2	2	2	2
B	20	2	2	2	2
B	25	3	3	3	3
C	6	0	0	0	0
C	10	1	1	1	1
C	16	2	2	2	2
C	20	2	2	2	2
C	25	3	3	3	3



5MA75-259930_ac
28.01.2022 / PZ

Siteco GmbH
Georg-Simon-Ohm-Straße 50
83301 Traunreut, Germany
mail: technicalsupport@siteco.de
Phone: +49 8669 / 33-844
www.siteco.com