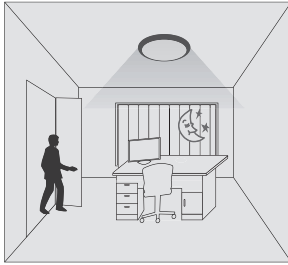
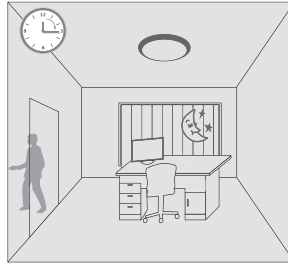


The light keeps off during daytime even when movement is detected. (Ambient lux level is above preset daylight threshold)



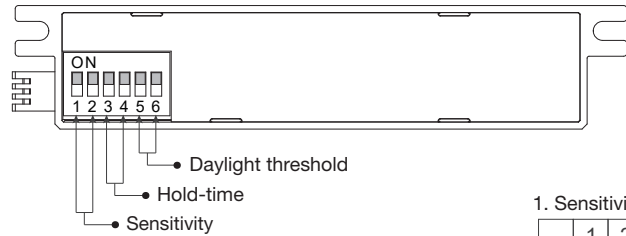
With movement and insufficient ambient lux level, the light is triggered on by the detector.



If there is no more movement, the light turns off automatically after hold-time preset.

Monsun 31

59FD91001



1. Sensitivity

Sensitivity can be adjusted by selecting the combination on the DIP switches for different applications.

- I – 100%
- II – 75%
- III – 50%
- IV – 10%

1. Sensitivity

	1	2	
I	●	●	100%
II	●	○	75%
III	○	●	50%
IV	○	○	10%

2. Hold-time

Hold-time refers to the time period that the light remains 100% on if no more movement is detected.

- I – 5s
- II – 30s
- III – 5min
- IV – 15min

2. Hold-time

	3	4	
I	●	●	5s
II	●	○	30s
III	○	●	5min
IV	○	○	15min

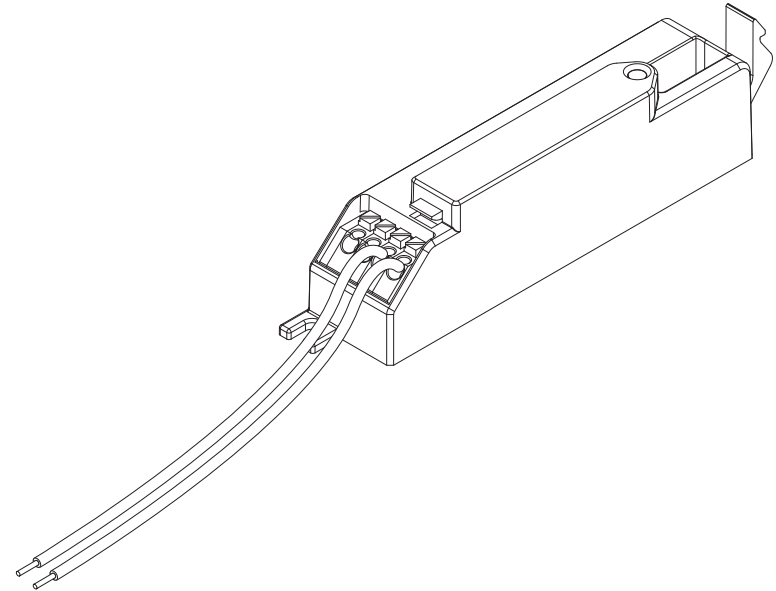
3. Daylight threshold

Different daylight threshold can be preset on DIP switches. Light will always turn on upon movement if daylight sensor is disabled.

- I – Disable
- II – 50Lux
- III – 10Lux
- IV – 2Lux

3. Daylight threshold

	5	6	
I	●	●	Disable
II	●	○	50Lux
III	○	●	10Lux
IV	○	○	2Lux



5MA69-270832_aa
12.09.2025 / REC

Siteco GmbH
Georg-Simon-Ohm-Straße 50
83301 Traunreut, Germany
mail: technicalsupport@siteco.de
Phone: +49 8669 / 33-844
www.siteco.com

siteco

