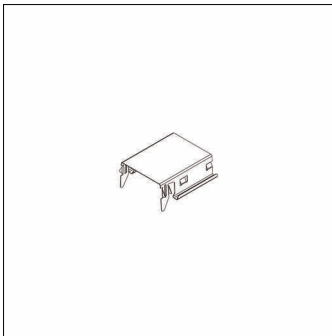


Order No.: 58FM008 | **GTIN (EAN):** 4058352426548

Product description: Mon11/21fix.el,surf

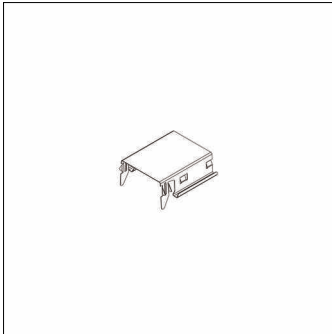


Monsun 11/21, fixing clip, installation type: surface-mounted, spring clip, of spring steel V2A, packaging unit: set of 2

Wt. (kg): 0.1
GTIN (EAN): 4058352426548

Order No.: 58FM008 | **GTIN (EAN):** 4058352426548

Detailed technical description: Mon11/21fix.el,surf



Key data

- Product type: fixing clip
- Product name: Monsun 11/21
- Order No.: 58FM008

Material, Colour

- spring clip: spring steel V2A

Mounting

- Mounting method, mounting location:
surface-mounted, to the DUS mounting
rail

Dimensions, Weight

- Weight: 0.1kg