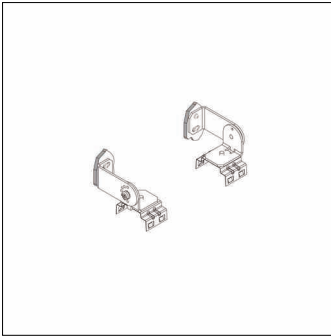


Order No.: 58FM002 | GTIN (EAN): 4058352410257

Product description: Mon11/21-ceil/wall-fast

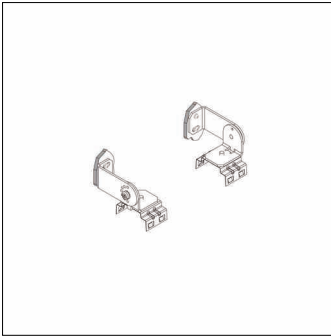


Monsun 11/21, wall fastening, inclinable, installation type: horizontal mounting, wall mounting set, of stainless steel (V2A), consisting of each 2x fixing bracket on wall and luminaire side, cylinder head screw, mounting clip for luminaire, all parts of V2A/V4A and 2x fixing reinforcement of UV stabilised PC, packaging unit: set of 2

Wt. (kg): 0.2
GTIN (EAN): 4058352410257

Order No.: 58FM002 | GTIN (EAN): 4058352410257

Detailed technical description: Mon11/21-ceil/wall-fast



Key data

- Product type: wall fastening, inclinable
- Product name: Monsun 11/21
- Order No.: 58FM002

Material, Colour

- wall mounting set: stainless steel (V2A), consisting of each 2x fixing bracket on wall and luminaire side, cylinder head screw, mounting clip for luminaire, all parts of V2A/V4A and 2x fixing reinforcement of UV stabilised PC

Mounting

- Mounting method, mounting location: horizontal mounting, to the wall

Dimensions, Weight

- Weight: 0.2kg