

Order No.: 5XA71000XE | GTIN (EAN): 4058352325339

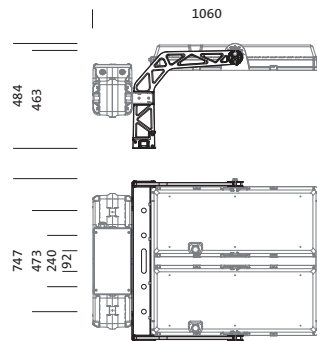
Product description: Sirius, bracket, B747



Sirius®, mounting bracket, mounting bracket, of aluminium, powder-coated, Siteco® metallic grey (DB 702S), for 1 luminaire head, width: 747mm, protection rating (complete): IP66, certification: CE, packaging unit: 1 piece

IP 66 CE

Wt. (kg): 6.0
GTIN (EAN): 4058352325339



It is mandatory that the assembly instructions must be observed when planning and installing the electrical installation (to be found at www.siteco.com)
Tolerances related to thermal, electrical and photometric data according to IEC 62722
Issued 07.07.2023 - Modifications and errors subject to change - Ensure that you always use the latest version -

Order No.: 5XA71000XE | GTIN (EAN): 4058352325339

Detailed technical description: Sirius,bracket,B747



Key data

- Product type: mounting bracket
- Product name: Sirius®
- Order No.: 5XA71000XE

Certificates, Standards

- Protection rating: IP66
- Certification, designation: CE

Material, Colour

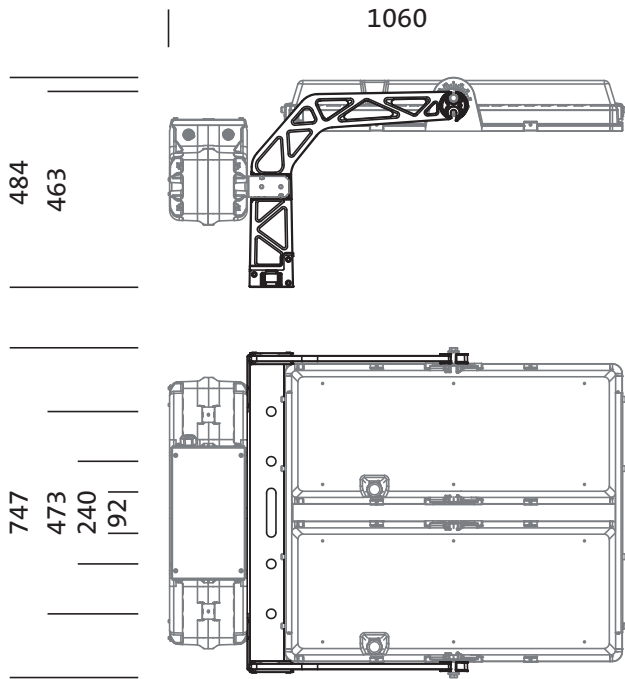
- mounting bracket: aluminium, powder-coated, Siteco® metallic grey (DB 702S), for 1 luminaire head
- Colour specification: Siteco® metallic grey (DB 702S)

Dimensions, Weight

- Width: 747mm
- Weight: 6.0kg

Order No.: 5XA71000XE | GTIN (EAN): 4058352325339

Dimensions: Sirius, bracket, B747



It is mandatory that the assembly instructions must be observed when planning and installing the electrical installation (to be found at www.siteco.com)
Tolerances related to thermal, electrical and photometric data according to IEC 62722
Issued 07.07.2023 - Modifications and errors subject to change - Ensure that you always use the latest version -