

Order No.: 5WD36C8C3SN3 | **GTIN (EAN):** 4058352305027

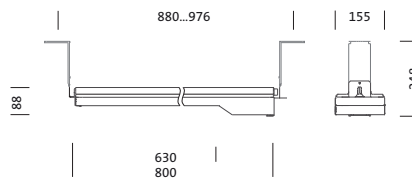
Product description: TL33md,14000lm750,StepDIM,TSG



TL 33 midi, tunnel luminaire, primary optical cover: cover panel, of toughened safety glass, transparent, non-reflecting, light emission: direct distribution, primary light characteristic: symmetric, installation type: surface-mounted, connection on mains side, LED, 5-pole, max. 1.5mm² (4G+1), High Power LED, rated luminous flux: 14.000lm, luminous efficacy: 146lm/W, light colour: 750, colour temperature: 5000K, control gear: ECG dimmable, with plug connection, mains connection: 220..240V, AC, 50/60Hz, connection cable plug integrated into luminaire housing at face end / socket provided on-site (Wieland RST: type 46.051.4553.1), rated input power: 96W, housing, of stainless steel 1.4404 (AISI316), etched and passivated, length: 800mm, width: 155mm, height: 88mm, heat sink, of Al Mg 2, protection rating (complete): IP66, insulation class (complete): insulation class I (protective earthing), certification: CE, ENEC, VDE, impact resistance: IK09, permissible operating ambient temperature: -25..+40°C, packaging unit: 1 piece



Lamps:	LED
Wt. (kg):	6.7
GTIN (EAN):	4058352305027



Order No.: 5WD36C8C3SN3 | **GTIN (EAN):** 4058352305027

Detailed technical description: TL33md,14000lm750,StepDIM,TSG



Key data

- Product type: tunnel luminaire
- Product name: TL 33 midi
- Order No.: 5WD36C8C3SN3

Lighting technology | Lamps | Control gear

Component 1

Lighting technology:

- Cover: cover panel, transparent, non-reflecting
- Symmetry: symmetric distribution
- Light emission: direct distribution

Lamps:

- Lamps: with High Power LED, LED
- Rated luminous flux: 14000lm
- Luminous efficacy: 146lm/W
- Colour temperature: 5000K
- Colour rendering index: CRI > 70
- Light colour: 750
- SDCM (Standard Deviation of Colour Matching): MacAdam ≤ 5 SDCM (initial)
- Rated input power: 96W

Operating device:

- Control gear: ECG dimmable
- Control: 10StepDIM

Certificates, Standards

- Protection rating: IP66
- Insulation class: insulation class I (protective earthing)
- Impact resistance: IK09
- Temperature range (operation): -25..+40°C
- Certification, designation: CE, ENEC, VDE

Material, Colour

- housing: stainless steel 1.4404 (AISI316), etched and passivated
- Cover: cover panel of toughened safety glass

Mounting

- Mounting method, mounting location: surface-mounted, to supporting structure, to the ceiling

Electrical connection

- Connection: plug connection
- Nominal voltage: 220..240V, 50/60Hz, AC
- Surge voltage resistance: 10kV 1.2/50µs
- Connection cable: plug integrated into luminaire housing at face end / socket provided on-site (Wieland RST: type 46.051.4553.1)

Dimensions, Weight

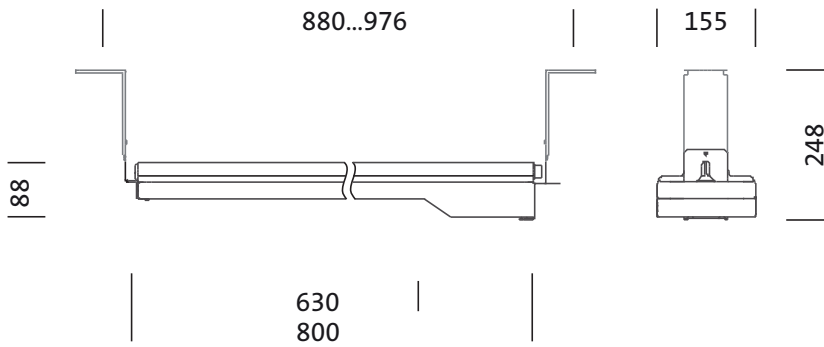
- Length: 800mm
- Width: 155mm
- Height: 88mm
- Weight: 6.7kg

Service life

- Rated service life: 100000h (L95/B10) at AT = 25°C

Order No.: 5WD36C8C3SN3 | GTIN (EAN): 4058352305027

Dimensions: TL33md,14000lm750,StepDIM,TSG



It is mandatory that the assembly instructions must be observed when planning and installing the electrical installation (to be found at www.siteco.com)

Tolerances related to thermal, electrical and photometric data according to IEC 62722

Issued 13.04.2024 - Modifications and errors subject to change - Ensure that you always use the latest version -

Order No.: 5WD36C8C3SN3 | GTIN (EAN): 4058352305027

Planning data: TL33md,14000lm750,StepDIM,TSG

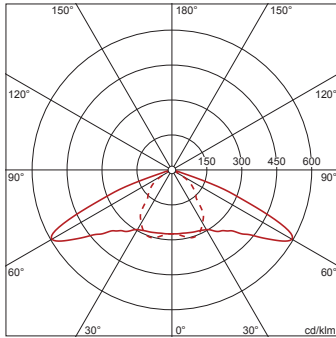
5WD36C8C3SN3: 1x LED

4058352305027

5WD36C8C3SN3

LED 5000 K | CRI \geq 70

ϕ_{N} 14000 lm



— C 0/180

- - - C 90/270

It is mandatory that the assembly instructions must be observed when planning and installing the electrical installation (to be found at www.siteco.com)

Tolerances related to thermal, electrical and photometric data according to IEC 62722

Issued 13.04.2024 - Modifications and errors subject to change - Ensure that you always use the latest version -